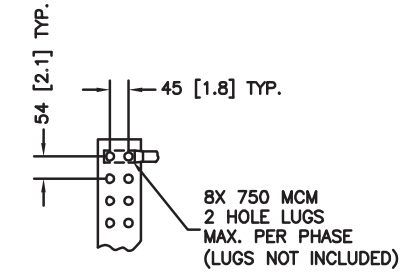
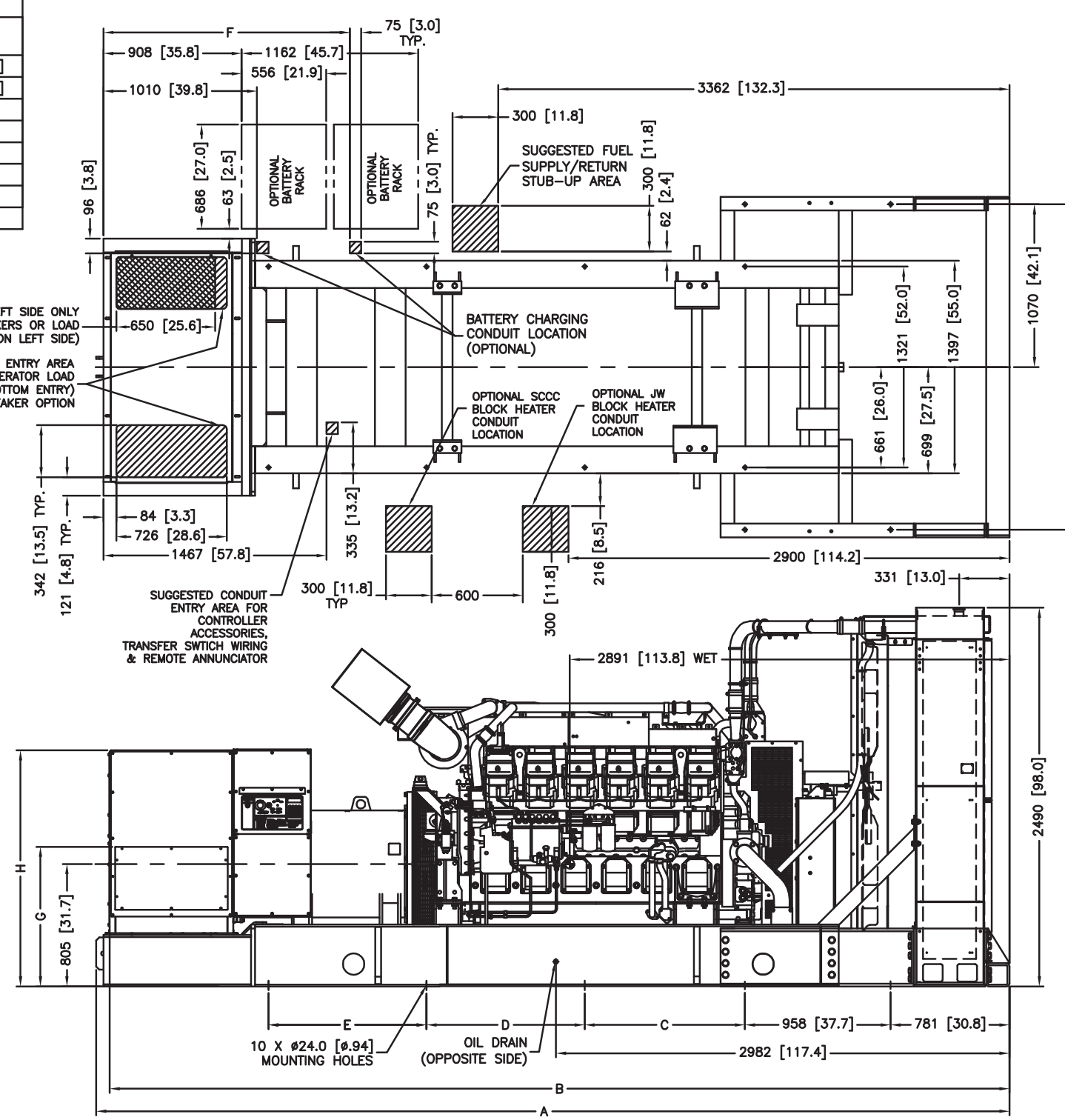
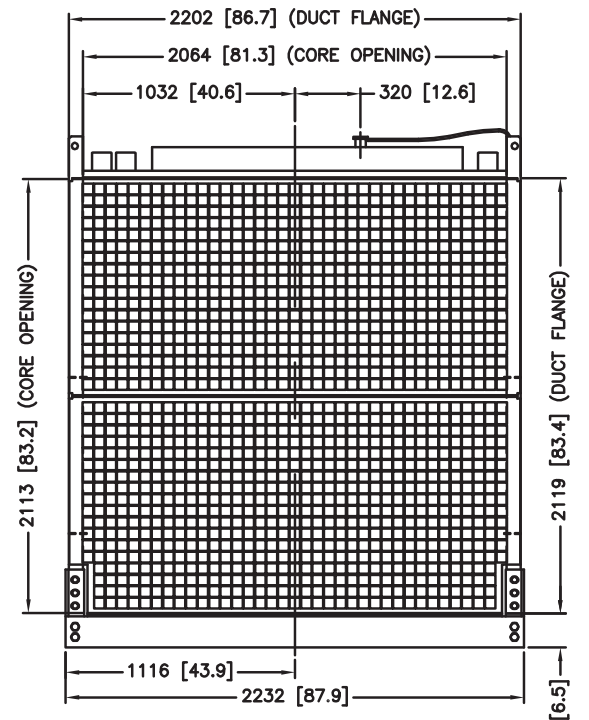


ALTERNATOR			
DIM	4048, 4050 4172, 4366	4052, 4174, 4288, 4368	4046
A	6006 [236.5]	6353 [250.1]	6006 [236.5]
B	5901 [232.4]	6249 [246.0]	5916 [234.0]
C	1054 [41.5]	1180 [46.5]	1054 [41.5]
D	1040 [40.9]	1270 [50.0]	1040 [40.9]
E	1040 [40.9]	838 [33.0]	1040 [40.9]
F	1620 [63.8]	1968 [77.5]	1620 [63.8]
G	958 [37.7]	958 [37.7]	918 [36.1]
H	1592 [62.7]	1592 [62.7]	1552 [61.1]

REV	DATE	REVISION	BY
-	4-28-11	NEW DRAWING [91304-3]	DJV
A	5-19-11	(0-6) TOP CONDUIT ENTRY AREA ADDED [91891]	KJB



BUS CONNECTIONS  
L0, L1, L2, & L3 TYP.



METRIC CAD FILE

**INSTALLATION NOTE**  
IF SUBBASE FUEL TANK AND/OR SOUND HOUSING IS USED, REFER TO SUBBASE FUEL TANK ADV TO DETERMINE MOUNTING LOCATIONS.

NOTE:  
DIMENSIONS IN [ ] ARE INCH EQUIVALENTS  
MAXIMUM WET WEIGHT OF GENSET LESS ACCESSORIES: 12020 KG [26500 LBS]  
IF IBC CERTIFICATION IS REQUIRED, SEE SEISMIC ADV FOR INSTALLATION INSTRUCTIONS.

1250 MODEL 60 HZ  
7M4046, 7M4048, 7M4050, 7M4052, 7M4172,  
7M4174, 7M4288, 7M4366, 7M4368  
RECONNECTABLE  
380V, 600V, 4160V ALTERNATORS  
40C & 50C COOLING SYSTEM  
MITSUBISHI, TIER II

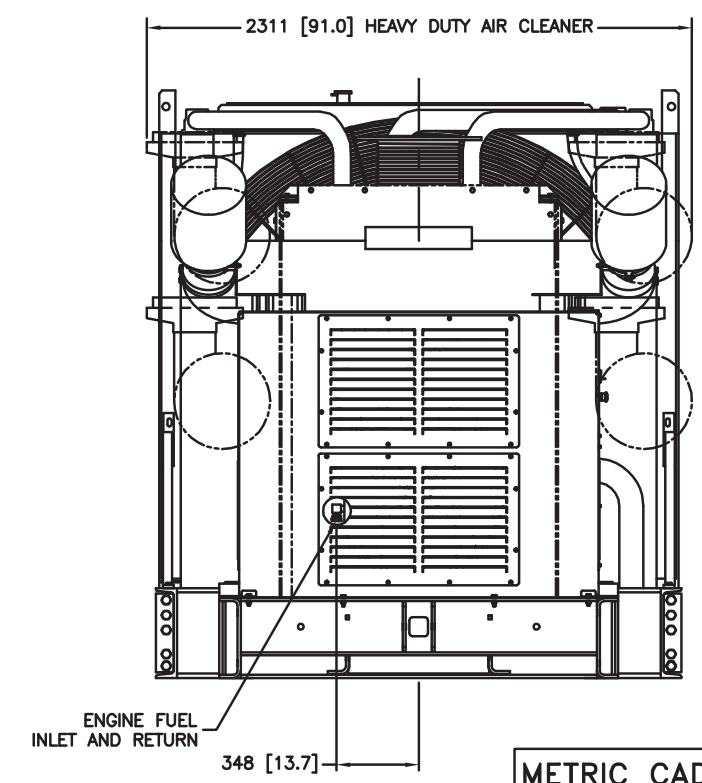
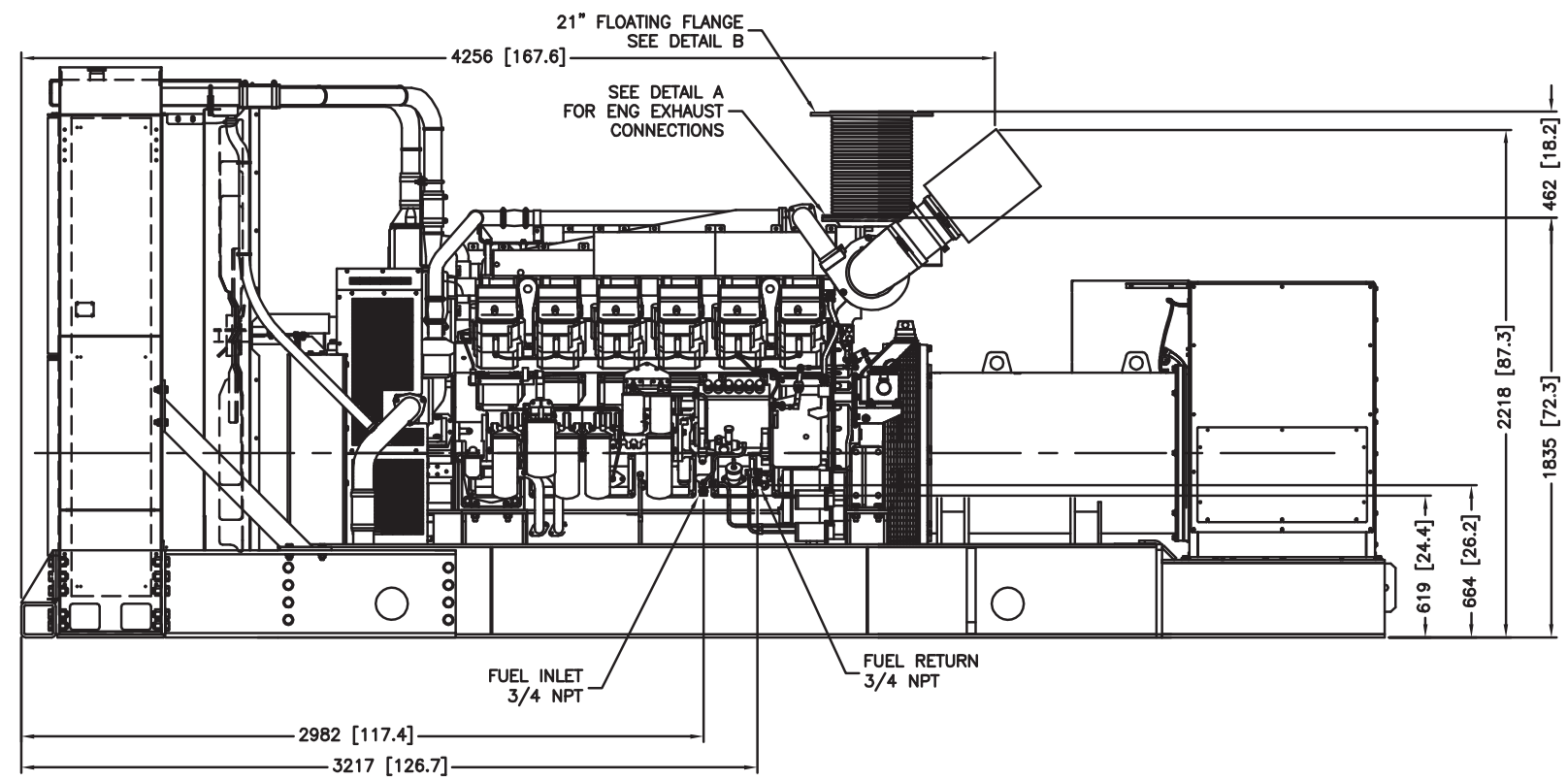
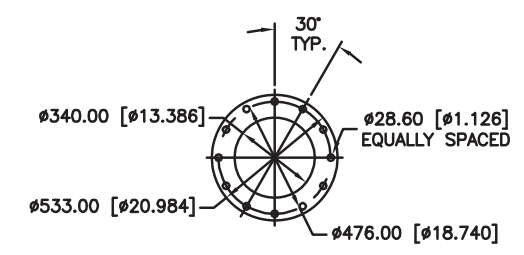
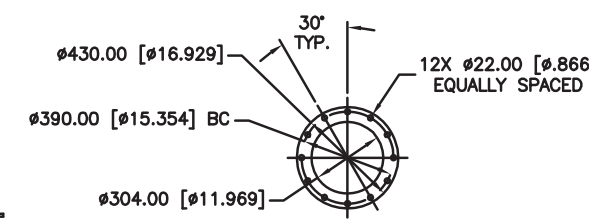
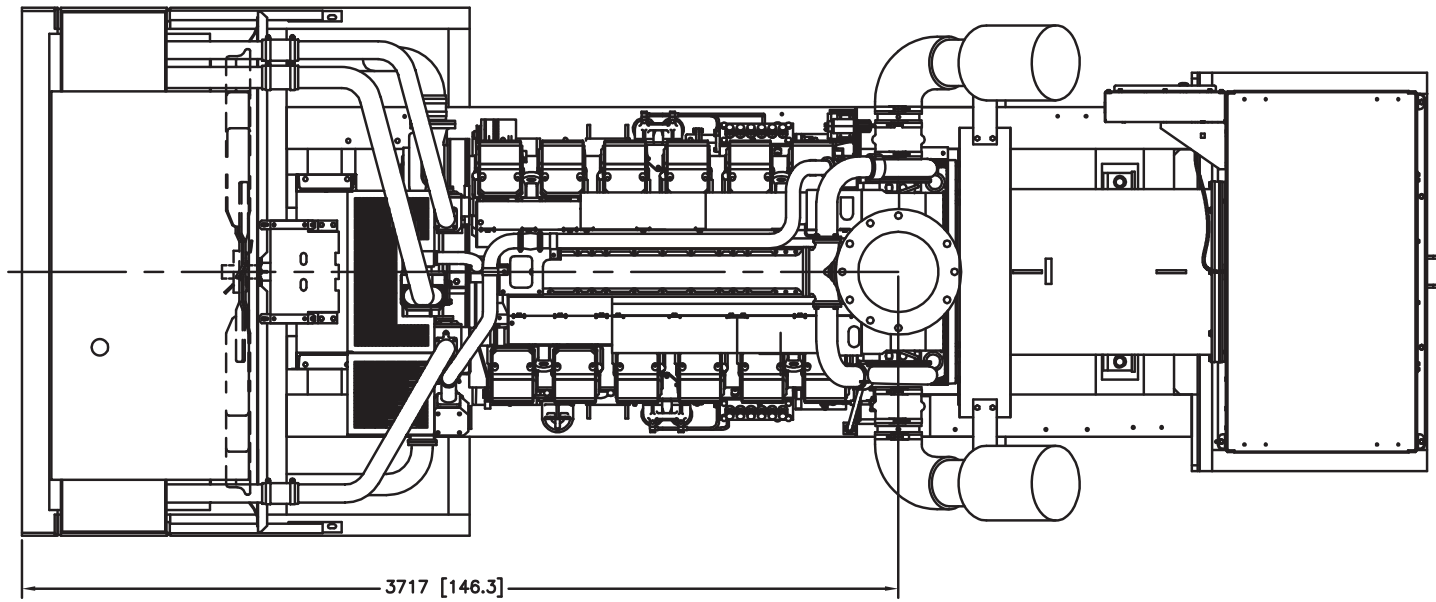
UNLESS OTHERWISE SPECIFIED -	
1) DIMENSIONS ARE IN MILLIMETERS	2) TOLERANCES ARE:
3) SURFACE FINISH	4) ANGLES
5) UNLESS OTHERWISE SPECIFIED -	6) UNLESS OTHERWISE SPECIFIED -
7) UNLESS OTHERWISE SPECIFIED -	8) UNLESS OTHERWISE SPECIFIED -
9) UNLESS OTHERWISE SPECIFIED -	10) UNLESS OTHERWISE SPECIFIED -
11) UNLESS OTHERWISE SPECIFIED -	12) UNLESS OTHERWISE SPECIFIED -
13) UNLESS OTHERWISE SPECIFIED -	14) UNLESS OTHERWISE SPECIFIED -
15) UNLESS OTHERWISE SPECIFIED -	16) UNLESS OTHERWISE SPECIFIED -
17) UNLESS OTHERWISE SPECIFIED -	18) UNLESS OTHERWISE SPECIFIED -
19) UNLESS OTHERWISE SPECIFIED -	20) UNLESS OTHERWISE SPECIFIED -
21) UNLESS OTHERWISE SPECIFIED -	22) UNLESS OTHERWISE SPECIFIED -
23) UNLESS OTHERWISE SPECIFIED -	24) UNLESS OTHERWISE SPECIFIED -
25) UNLESS OTHERWISE SPECIFIED -	26) UNLESS OTHERWISE SPECIFIED -
27) UNLESS OTHERWISE SPECIFIED -	28) UNLESS OTHERWISE SPECIFIED -
29) UNLESS OTHERWISE SPECIFIED -	30) UNLESS OTHERWISE SPECIFIED -
31) UNLESS OTHERWISE SPECIFIED -	32) UNLESS OTHERWISE SPECIFIED -
33) UNLESS OTHERWISE SPECIFIED -	34) UNLESS OTHERWISE SPECIFIED -
35) UNLESS OTHERWISE SPECIFIED -	36) UNLESS OTHERWISE SPECIFIED -
37) UNLESS OTHERWISE SPECIFIED -	38) UNLESS OTHERWISE SPECIFIED -
39) UNLESS OTHERWISE SPECIFIED -	40) UNLESS OTHERWISE SPECIFIED -
41) UNLESS OTHERWISE SPECIFIED -	42) UNLESS OTHERWISE SPECIFIED -
43) UNLESS OTHERWISE SPECIFIED -	44) UNLESS OTHERWISE SPECIFIED -
45) UNLESS OTHERWISE SPECIFIED -	46) UNLESS OTHERWISE SPECIFIED -
47) UNLESS OTHERWISE SPECIFIED -	48) UNLESS OTHERWISE SPECIFIED -
49) UNLESS OTHERWISE SPECIFIED -	50) UNLESS OTHERWISE SPECIFIED -
51) UNLESS OTHERWISE SPECIFIED -	52) UNLESS OTHERWISE SPECIFIED -
53) UNLESS OTHERWISE SPECIFIED -	54) UNLESS OTHERWISE SPECIFIED -
55) UNLESS OTHERWISE SPECIFIED -	56) UNLESS OTHERWISE SPECIFIED -
57) UNLESS OTHERWISE SPECIFIED -	58) UNLESS OTHERWISE SPECIFIED -
59) UNLESS OTHERWISE SPECIFIED -	60) UNLESS OTHERWISE SPECIFIED -
61) UNLESS OTHERWISE SPECIFIED -	62) UNLESS OTHERWISE SPECIFIED -
63) UNLESS OTHERWISE SPECIFIED -	64) UNLESS OTHERWISE SPECIFIED -
65) UNLESS OTHERWISE SPECIFIED -	66) UNLESS OTHERWISE SPECIFIED -
67) UNLESS OTHERWISE SPECIFIED -	68) UNLESS OTHERWISE SPECIFIED -
69) UNLESS OTHERWISE SPECIFIED -	70) UNLESS OTHERWISE SPECIFIED -
71) UNLESS OTHERWISE SPECIFIED -	72) UNLESS OTHERWISE SPECIFIED -
73) UNLESS OTHERWISE SPECIFIED -	74) UNLESS OTHERWISE SPECIFIED -
75) UNLESS OTHERWISE SPECIFIED -	76) UNLESS OTHERWISE SPECIFIED -
77) UNLESS OTHERWISE SPECIFIED -	78) UNLESS OTHERWISE SPECIFIED -
79) UNLESS OTHERWISE SPECIFIED -	80) UNLESS OTHERWISE SPECIFIED -
81) UNLESS OTHERWISE SPECIFIED -	82) UNLESS OTHERWISE SPECIFIED -
83) UNLESS OTHERWISE SPECIFIED -	84) UNLESS OTHERWISE SPECIFIED -
85) UNLESS OTHERWISE SPECIFIED -	86) UNLESS OTHERWISE SPECIFIED -
87) UNLESS OTHERWISE SPECIFIED -	88) UNLESS OTHERWISE SPECIFIED -
89) UNLESS OTHERWISE SPECIFIED -	90) UNLESS OTHERWISE SPECIFIED -
91) UNLESS OTHERWISE SPECIFIED -	92) UNLESS OTHERWISE SPECIFIED -
93) UNLESS OTHERWISE SPECIFIED -	94) UNLESS OTHERWISE SPECIFIED -
95) UNLESS OTHERWISE SPECIFIED -	96) UNLESS OTHERWISE SPECIFIED -
97) UNLESS OTHERWISE SPECIFIED -	98) UNLESS OTHERWISE SPECIFIED -
99) UNLESS OTHERWISE SPECIFIED -	100) UNLESS OTHERWISE SPECIFIED -

**KOHLER CO.**  
POWER SYSTEMS, KOHLER, WI 53044 U.S.A.  
THIS DRAWING IS DESIGN AND METAL, IS KOHLER CO. PROPERTY AND  
MAY NOT BE USED EXCEPT IN CONNECTION WITH KOHLER CO. WORK.  
ALL RIGHTS OF DESIGN OR INVENTION ARE RESERVED.

**DIMENSION PRINT**  
1250RE0ZMD

ADV-8176

REV	DATE	REVISION	BY
-	4-26-11	NEW DRAWING [91304-3]	DJV
A	5-19-11	SEE SHEET 1 [91001]	KJB



NOTE:  
DIMENSIONS IN [ ] ARE INCH EQUIVALENTS  
IF IBC CERTIFICATION IS REQUIRED, SEE SEISMIC ADV FOR INSTALLATION INSTRUCTIONS.

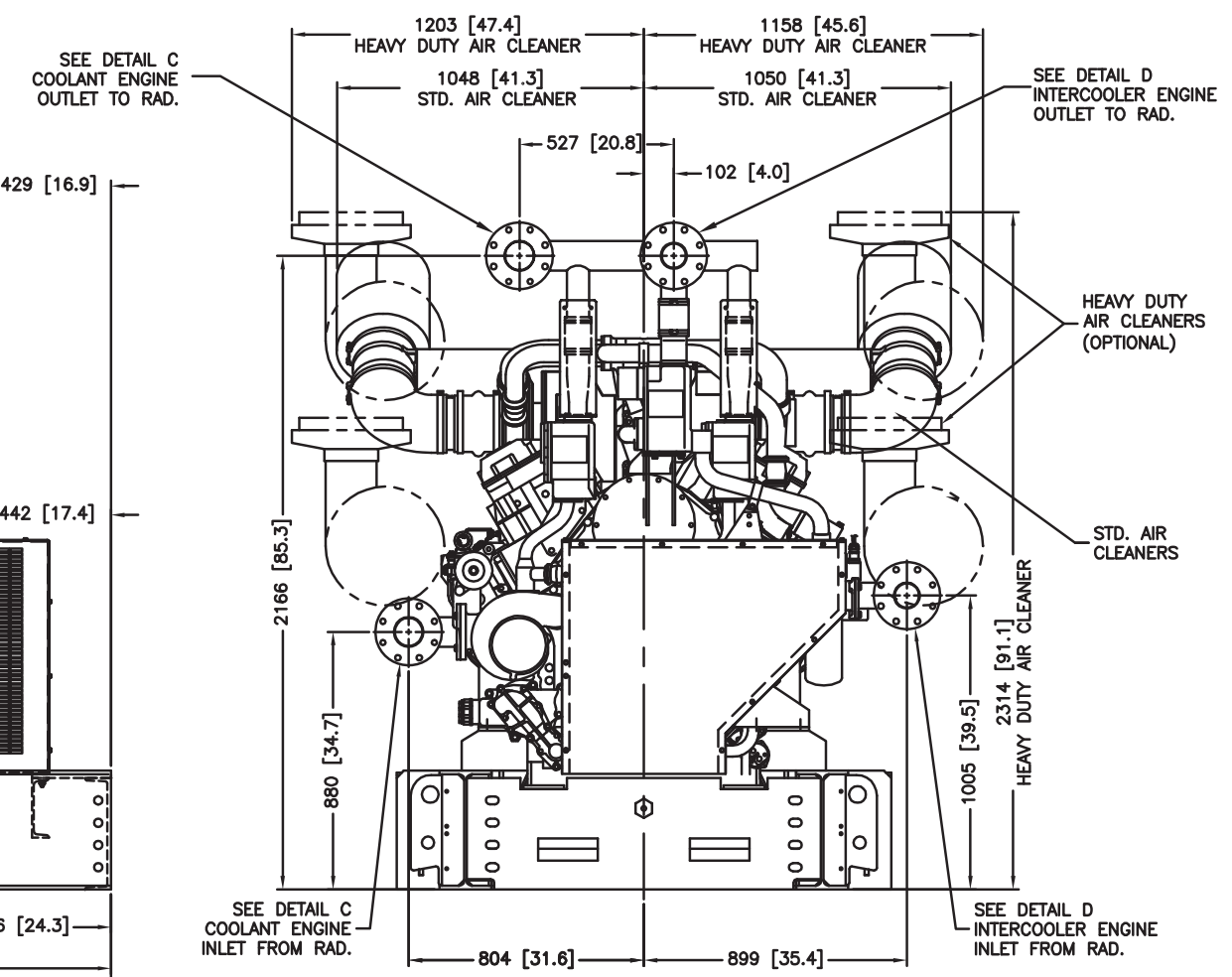
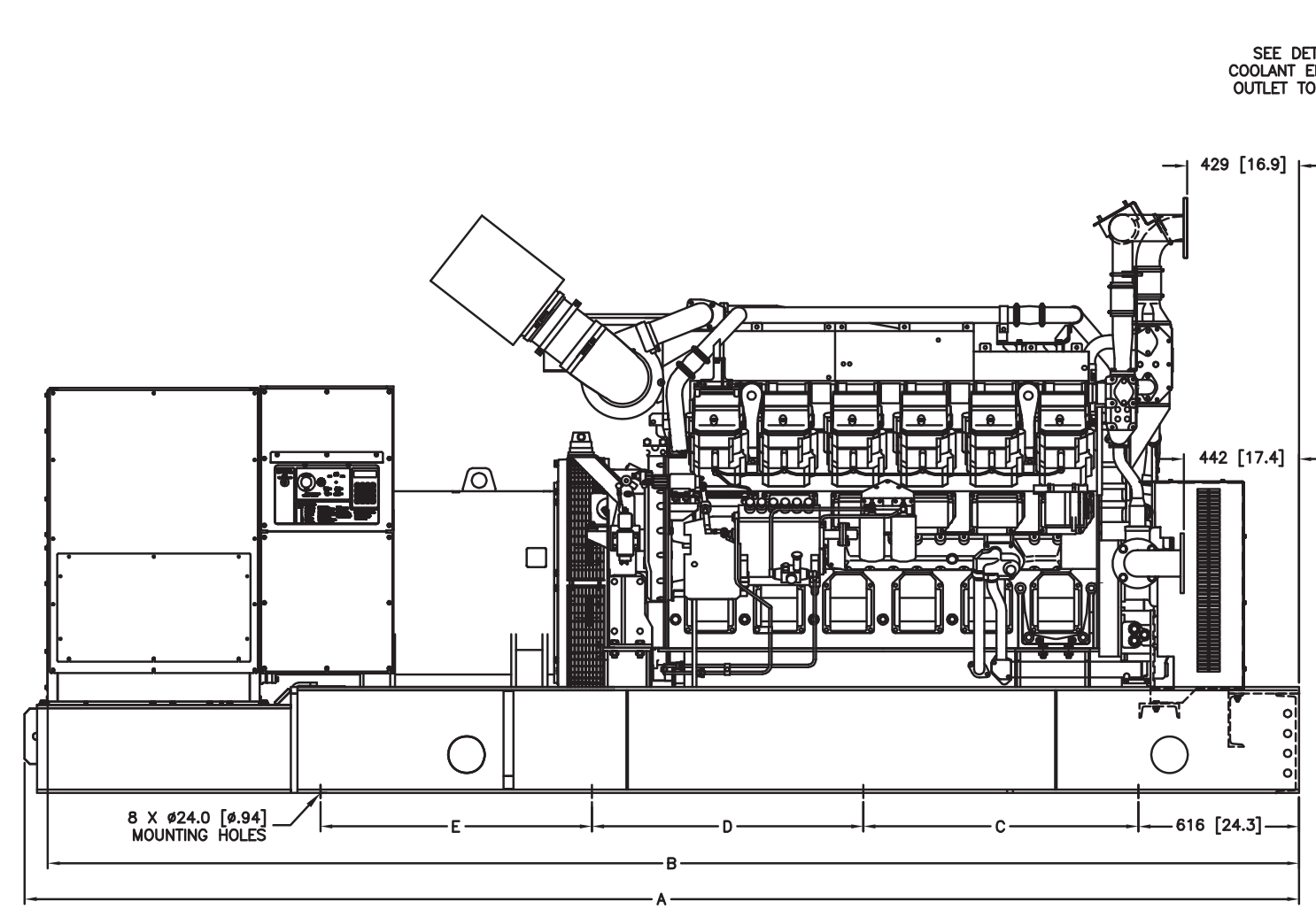
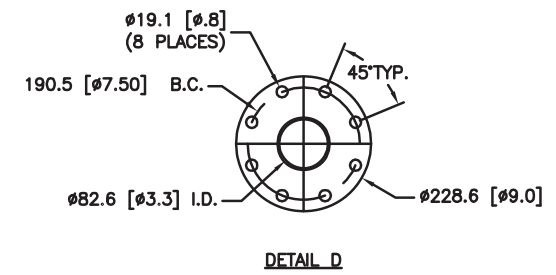
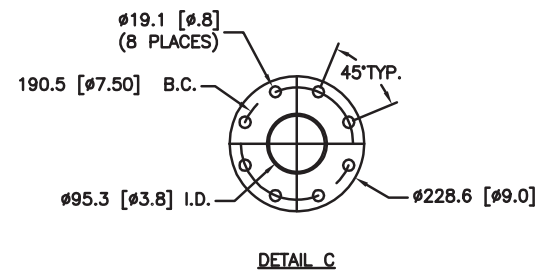
1250 MODEL 60 HZ  
7M4046, 7M4048, 7M4050, 7M4052, 7M4172,  
7M4174, 7M4288, 7M4366, 7M4368  
RECONNECTABLE  
380V, 600V, 4160V ALTERNATORS  
40C & 50C COOLING SYSTEM  
MITSUBISHI, TIER II

UNLESS OTHERWISE SPECIFIED - 1) DIMENSIONS ARE IN MILLIMETERS 2) TOLERANCES ARE: XXX ± SURFACE FINISH XX ± X ± ANGLES ±		<b>KOHLER CO.</b> POWER SYSTEMS, KOHLER, WI 53044 U.S.A. THIS DRAWING IS DESIGN AND DETAIL IS KOHLER CO. PROPERTY AND MAY NOT BE LOANED, REPRODUCED OR COPIED WITHOUT KOHLER CO. WORK. ALL RIGHTS OF DESIGN OR INVENTION ARE RESERVED.	
DIMENSION PRINT 1250REOZMD		ADV-8176	
APPROVALS DESIGNED: DJV CHECKED: DJV APPROVED: WRD	DATE 4-26-11 4-26-11 4-26-11	TITLE JOB NO. DWG NO.	SHEET 2-5

ALTERNATOR			
DIM	4048, 4050 4172, 4366	4052, 4174, 4288, 4368	4046
A	4883 [192.2]	5230 [206.0]	4883 [192.2]
B	4778 [188.1]	5126 [201.8]	4793 [188.7]
C	1054 [41.5]	1180 [46.5]	1054 [41.5]
D	1040 [40.9]	1270 [50.0]	1040 [40.9]
E	1040 [40.9]	838 [33.0]	1040 [40.9]

NOTE:  
FOR PLAN VIEW SEE SHEET 1.

REV	DATE	REVISION	BY
-	4-26-11	NEW DRAWING [91304-3]	DJV
A	5-19-11	SEE SHEET 1 [91001]	KJB



METRIC CAD FILE

NOTE:  
DIMENSIONS IN [ ] ARE INCH EQUIVALENTS  
IF IBC CERTIFICATION IS REQUIRED, SEE SEISMIC ADV FOR INSTALLATION INSTRUCTIONS.

1250 MODEL 60 HZ  
7M4046, 7M4048, 7M4050, 7M4052, 7M4172,  
7M4174, 7M4288, 7M4366, 7M4368  
RECONNECTABLE  
380V, 600V, 4160V ALTERNATORS  
40C & 50C COOLING SYSTEM  
MITSUBISHI, TIER II

APPROVALS	DATE
DJV	4-26-11
DJV	4-26-11
WRD	4-26-11

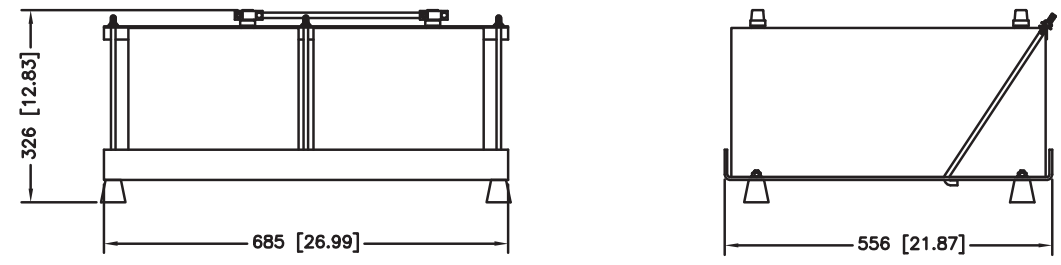
**KOHLER CO.**  
POWER SYSTEMS, KOHLER, WI 53044 U.S.A.  
THIS DRAWING IS DESIGN AND DETAIL OF KOHLER CO. PROPERTY AND  
MAY NOT BE USED EXCEPT IN CONNECTION WITH KOHLER CO. WORK.  
ALL RIGHTS OF DESIGN OR INVENTION ARE RESERVED.

**DIMENSION PRINT**  
1250RE0ZMD

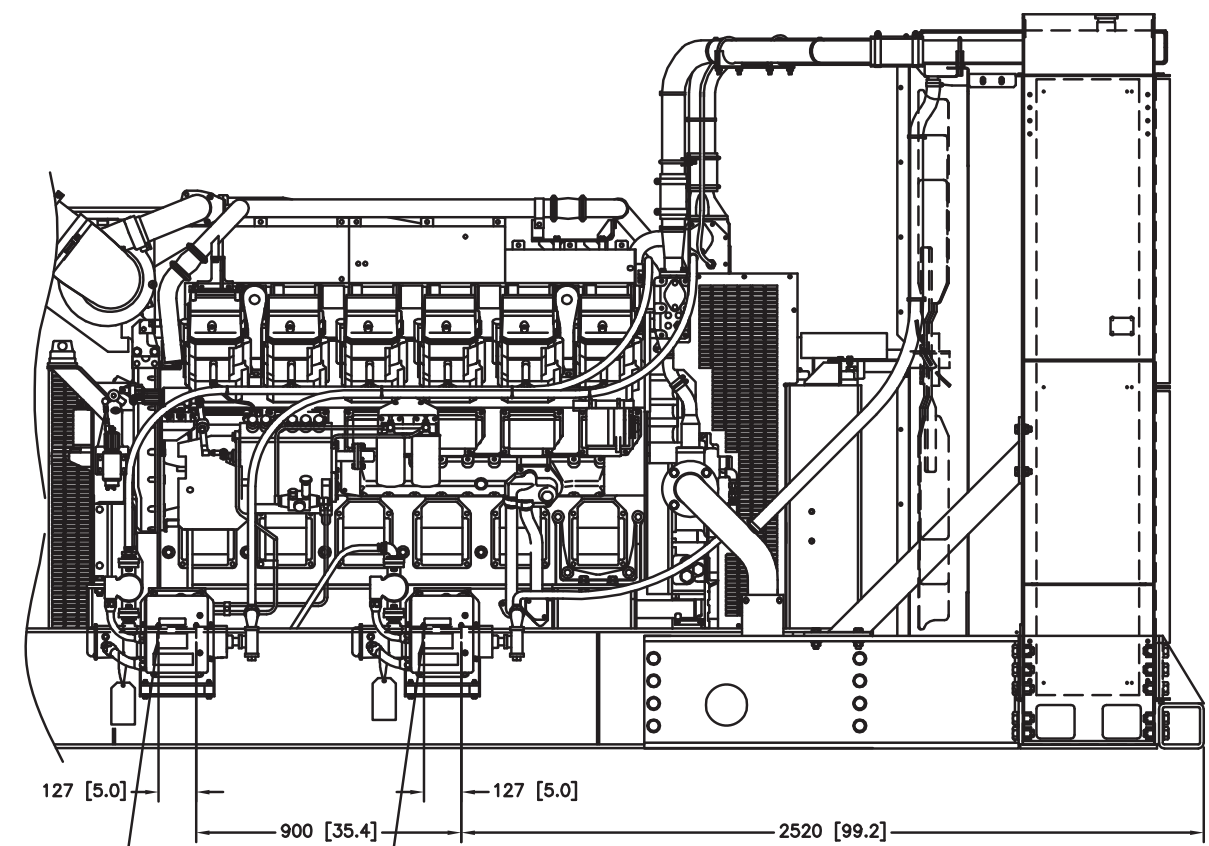
SCALE: 0.1  
JOB NO.:  
REV: 3-5  
ADV-8176

8 | 7 | 6 | 5 | 4 | 3 | 2 | 1

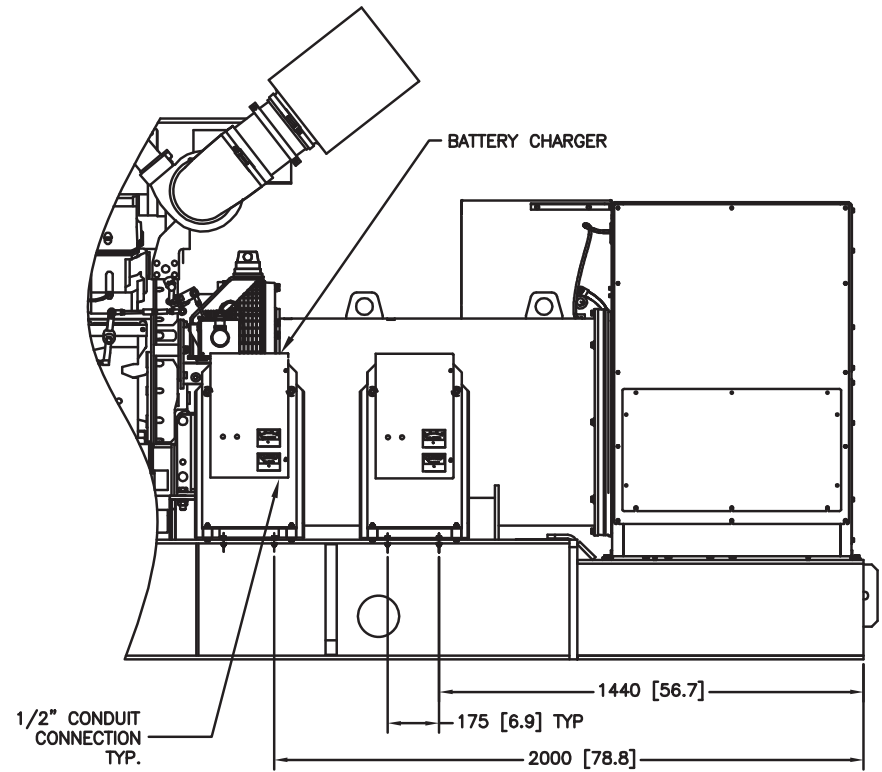
REV	DATE	REVISION	BY
-	4-26-11	NEW DRAWING [91304-3]	DJV
A	5-19-11	SEE SHEET 1 [91001]	KJB



**BATTERY AND BATTERY RACK (2-REQ'D)**  
SCALE: 2X



127 [5.0] SCCB BLOCK HEATER CIRCULATING PUMP LOCATION  
 900 [35.4] JW BLOCK HEATER CIRCULATING PUMP LOCATION  
 127 [5.0]  
 2520 [99.2] **BLOCK HEATER**



1/2" CONDUIT CONNECTION TYP.  
 1440 [56.7]  
 175 [6.9] TYP  
 2000 [78.8] **BATTERY CHARGER**

METRIC CAD FILE

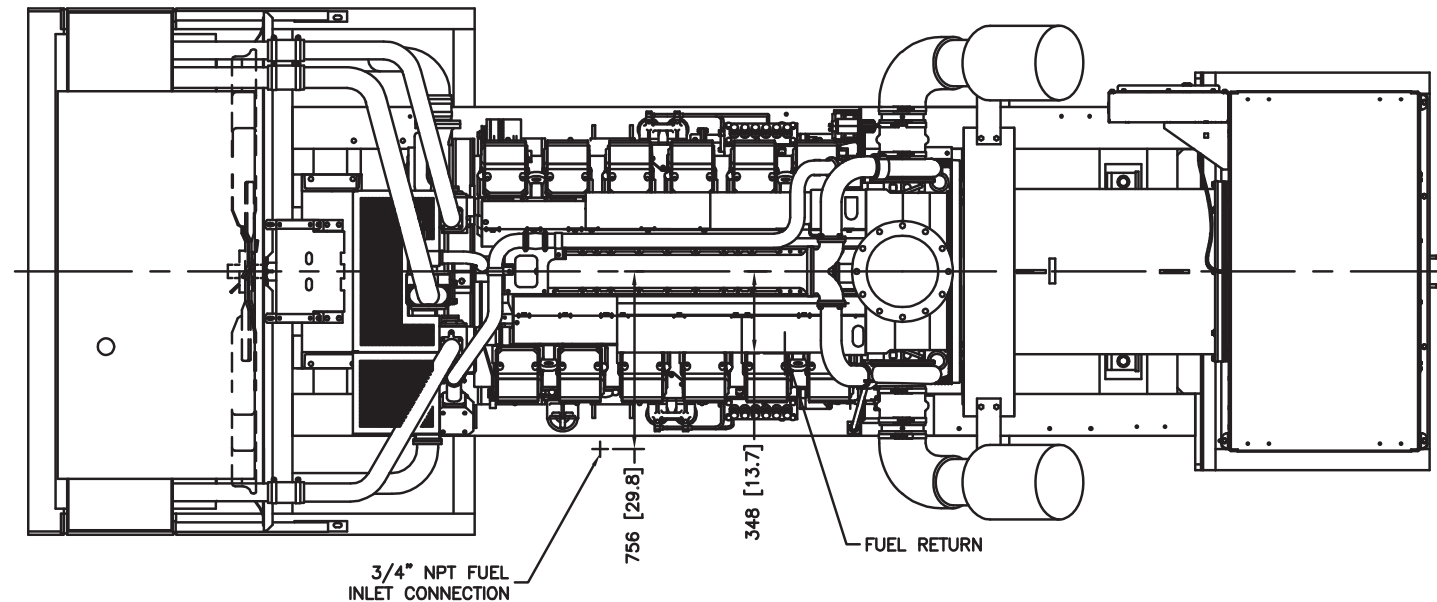
NOTE:  
 DIMENSIONS IN [ ] ARE INCH EQUIVALENTS  
 IF IBC CERTIFICATION IS REQUIRED, SEE SEISMIC ADV FOR INSTALLATION INSTRUCTIONS.

1250 MODEL 60 HZ  
 7M4046, 7M4048, 7M4050, 7M4052, 7M4172,  
 7M4174, 7M4288, 7M4366, 7M4368  
 RECONNECTABLE  
 380V, 600V, 4160V ALTERNATORS  
 40C & 50C COOLING SYSTEM  
 MITSUBISHI, TIER II

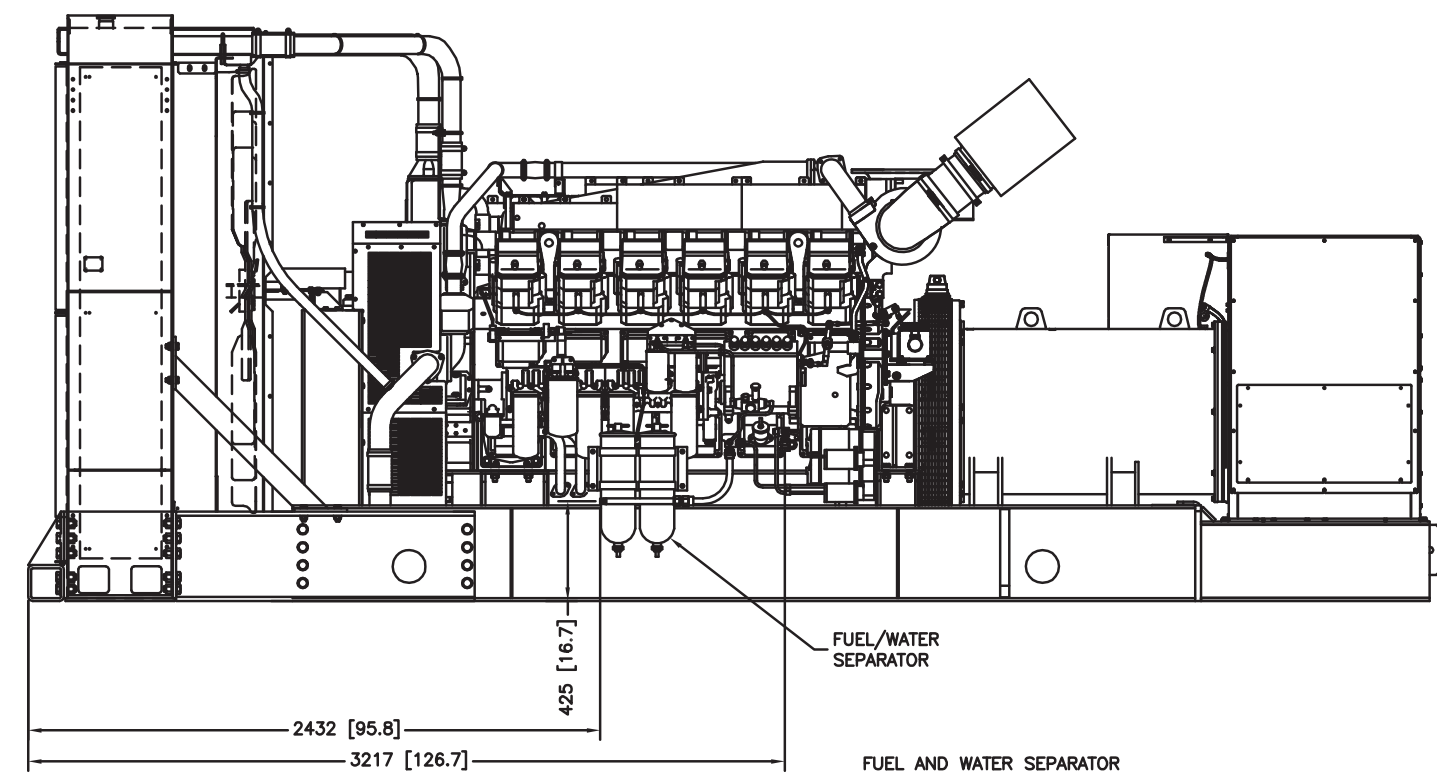
UNLESS OTHERWISE SPECIFIED -		SURFACE FINISH	
1) DIMENSIONS ARE IN MILLIMETERS	2) TOLERANCES ARE:	XX ±	MM
X ±		✓	
ANGLES ±			
APPROVALS		DATE	TITLE
DESIGNED	DJV	4-26-11	DIMENSION PRINT 1250REOZMD
DRAWN	DJV	4-26-11	
APPROVED	WRD	4-26-11	
KOHLER CO. POWER SYSTEMS, KOHLER, WI 53044 U.S.A. THIS DRAWING IS DESIGN AND DETAIL IS KOHLER CO. PROPERTY AND MAY NOT BE USED EXCEPT IN CONNECTION WITH KOHLER CO. WORK. ALL RIGHTS OF DESIGN OR INVENTION ARE RESERVED.		JOB NO.	REV
ADV-8176		4-5	D

8 | 7 | 6 | 5 | 4 | 3 | 2 | 1

REV	DATE	REVISION	BY
-	4-26-11	NEW DRAWING [91304-3]	DJV
A	5-19-11	SEE SHEET 1 [91091]	KJB



OPTIONAL FUEL INLET AND RETURN LOCATIONS



NOTE:  
DIMENSIONS IN [ ] ARE INCH EQUIVALENTS  
IF IBC CERTIFICATION IS REQUIRED, SEE SEISMIC ADV FOR INSTALLATION INSTRUCTIONS.

METRIC CAD FILE

1250 MODEL 60 HZ  
7M4046, 7M4048, 7M4050, 7M4052, 7M4172,  
7M4174, 7M4288, 7M4366, 7M4368  
RECONNECTABLE  
380V, 600V, 4160V ALTERNATORS  
40C & 50C COOLING SYSTEM  
MITSUBISHI, TIER II

UNLESS OTHERWISE SPECIFIED -		SURFACE FINISH	
1) DIMENSIONS ARE IN MILLIMETERS	±	✓	MAX.
2) TOLERANCES ARE:			
3) ±			
4) ±			
5) ±			
6) ±			
7) ±			
8) ±			
9) ±			
10) ±			
11) ±			
12) ±			
13) ±			
14) ±			
15) ±			
16) ±			
17) ±			
18) ±			
19) ±			
20) ±			
21) ±			
22) ±			
23) ±			
24) ±			
25) ±			
26) ±			
27) ±			
28) ±			
29) ±			
30) ±			
31) ±			
32) ±			
33) ±			
34) ±			
35) ±			
36) ±			
37) ±			
38) ±			
39) ±			
40) ±			
41) ±			
42) ±			
43) ±			
44) ±			
45) ±			
46) ±			
47) ±			
48) ±			
49) ±			
50) ±			
51) ±			
52) ±			
53) ±			
54) ±			
55) ±			
56) ±			
57) ±			
58) ±			
59) ±			
60) ±			
61) ±			
62) ±			
63) ±			
64) ±			
65) ±			
66) ±			
67) ±			
68) ±			
69) ±			
70) ±			
71) ±			
72) ±			
73) ±			
74) ±			
75) ±			
76) ±			
77) ±			
78) ±			
79) ±			
80) ±			
81) ±			
82) ±			
83) ±			
84) ±			
85) ±			
86) ±			
87) ±			
88) ±			
89) ±			
90) ±			
91) ±			
92) ±			
93) ±			
94) ±			
95) ±			
96) ±			
97) ±			
98) ±			
99) ±			
100) ±			

**KOHLER CO.**  
POWER SYSTEMS, KOHLER, WI 53044 U.S.A.  
THIS DRAWING IS DESIGN AND REMAIN THE PROPERTY OF KOHLER CO. PROPERTY AND  
MAY NOT BE USED EXCEPT IN CONNECTION WITH KOHLER CO. WORK.  
ALL RIGHTS OF DESIGN OR INVENTION ARE RESERVED.

**DIMENSION PRINT**  
1250RE0ZMD

ADV-8176