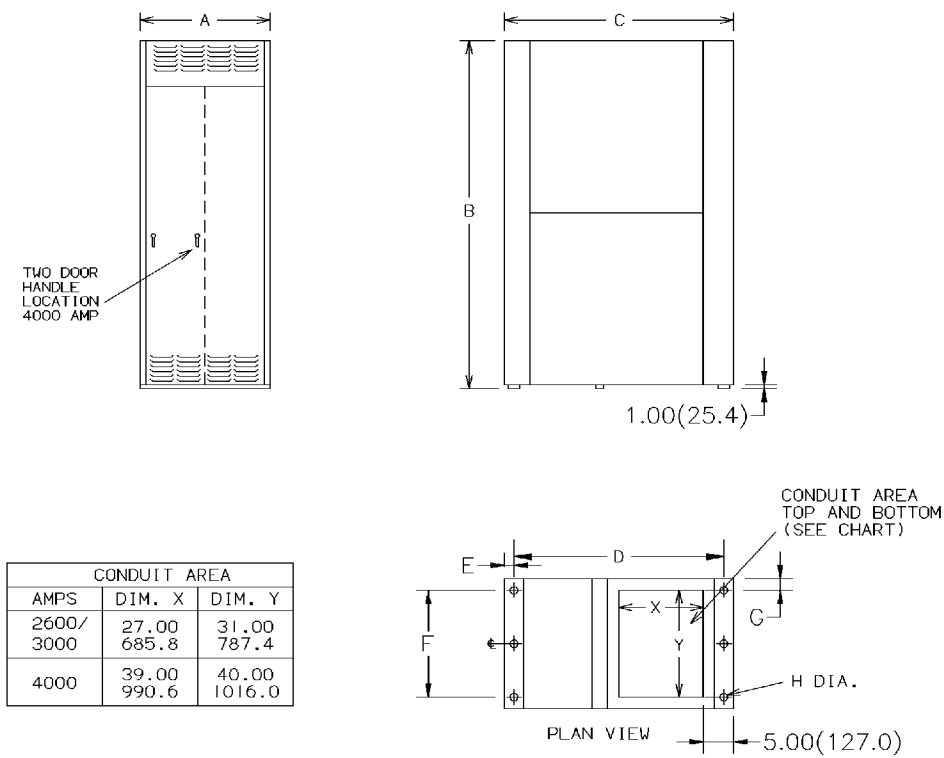


## GENERAL NOTES

1. ENCLOSURES CONSTRUCTED IN ACCORDANCE WITH UL STANDARD 508, OR UL 50.
2. STANDARD FINISH-LIGHT GREY ANSI #61.
3. WIDTH, HEIGHT, AND DEPTH DIMENSIONS ON FIG. 1 ARE OUTSIDE DIMENSIONS.
4. THE TRANSFER SWITCH UNIT IS MOUNTED ON THE INSIDE BACK SURFACE AND THE ACCESSORY CONTROL PANEL MOUNTED ON THE INSIDE DOOR SURFACE. THE CONTROL PANEL IS CONNECTED TO THE TRANSFER SWITCH PANEL BY A WIRE HARNESS WITH TWO (2) QUICK DISCONNECT PLUGS.
5. AN OPERATOR'S MANUAL IS FURNISHED WITH EACH AUTOMATIC TRANSFER SWITCH. REFER TO THIS PUBLICATION PRIOR TO INSTALLATION AND OPERATION OF THE SWITCH.



CONDUIT AREA		
AMPS	DIM. X	DIM. Y
2600/ 3000	27.00 685.8	31.00 787.4
4000	39.00 990.6	40.00 1016.0

FIGURE 1

## NOTES

1. TYPE 1 ENCLOSURE. FREE STANDING. FLOOR MOUNTED. 12 GAUGE FORMED FRAME CONSTRUCTION.
2. NEC STANDARD GAUGE PAN TYPE DOOR WITH LOCKABLE HANDLE.
3. RECOMMENDED CLEARANCES: FRONT: 36 INCHES
4. UNIT IS DESIGNED FOR COMBINATION TOP AND BOTTOM CABLE ENTRY. THE STANDARD SWITCH CONFIGURATION IS FOR TOP ENTRY EMERGENCY & LOAD AND BOTTOM ENTRY NORMAL.
5. NO KNOCKOUTS ARE PROVIDED.
6. SINGLE DOOR HINGED ON RIGHT FOR 2600/3000 AMP. TWO DOOR FOR 4000 AMP.

TYPE 1 ENCLOSURES FOR AUTOMATIC TRANSFER SWITCHES WITHOUT OPTIONAL ACC. 28 OVERLAPPING NEUTRAL TRANSFER CONTACT							
AMP SIZE	FIG NO	DIMENSIONS					
		A	B	C	D	E	F
2600/ 3000	1	37.00 939.8	91.00 2311.4	60.00 1524.0	54.00 1371.6	3.00 76.2	31.00 787.4
4000	1	46.00 1676.4	91.00 2311.4	72.00 1828.8	66.00 1676.4	3.00 76.2	42.00 1066.8
2600 - 4000	1	3.00 76.2	.625 Ø15.8				

TYPE 1 ENCLOSURES FOR AUTOMATIC TRANSFER SWITCHES WITH OPTIONAL ACC. 28 OVERLAPPING NEUTRAL TRANSFER CONTACT							
AMP SIZE	FIG NO	DIMENSIONS					
		A	B	C	D	E	F
2600/ 3000	2	37.00 939.8	91.00 2311.4	60.00 1524.0	54.00 1371.6	3.00 76.2	31.00 787.4
4000	2	46.00 1676.4	91.00 2311.4	72.00 1828.8	66.00 1676.4	3.00 76.2	42.00 1066.8
2600 - 4000	2	3.00 76.2	.625 Ø15.8				

APPROXIMATE SHIPPING  
WEIGHT, LBS (KG)  
(WEIGHT INCLUDES STANDARD  
TRANSFER SWITCH & CONTROLS)

AMP SIZE	POLES	WEIGHT
		TYPES 1
2600/ 3000	3	2150 (976)
4000	3 W/ACC.28	2230 (1012)
	3	2580 (1171)
	3 W/ACC.28	2680 (1217)

**COMPOSITE ENCLOSURE OUTLINE  
AND MOUNTING DIAGRAM FOR  
3 POLE W/O NEUTRAL  
2600 THROUGH 4000 AMP  
ASCO® SERIES 300  
AUTOMATIC TRANSFER SWITCHES**

PROJECT NAME:		COMPOSITE OUTLINE	
SERIES 300 TS		2600-4000 AMP	
THIRD ANGLE PROJECTION	ASSEMBLY REF. NO.	SCALE	FILE A2
DRAWN BY: YZ	DATE: 4/98	SIZE: DWG. NO.	DS497148-002
CHECKED:	APPROVED:	CHANGE LETTER:	ECON. NO. 147819
MANUFACTURING TOLERANCES TO BE IN ACCORDANCE WITH ASQC PROCEDURE MP-1-003 FOR PLASTIC PARTS SEE MP-1-003		PROPERTY OF AUTOMATIC SWITCH COMPANY. USE PERMITTED FOR OUR WORK ONLY. ALL RIGHTS OF DESIGN OR INVENTION ARE RESERVED.	
Automatic Switch Co. FLORHAM PARK, NEW JERSEY 07932 PRINTED IN U.S.A.		SHEET	