



GeneratorJoe

4016 Quartz Drive
Santa Rosa, CA 95405
Phone: 707 539-9003
Fax: 707 539-5212
Email: sales@generatorjoe.NET
Web www.generatorjoe.NET

RESISTIVE LOAD BANK

750, 1000 OR 1250 KW

- Outdoor Installation
- Temperature Controlled Weatherproof Contactor Compartment
- Needs No Cool Down Period
- Optional DC Designs
- Standard 19" Remote Control Panel with Optional Enclosure
- Fully Supported Load Elements

MODEL K575A



QUALITY SYSTEM CERTIFIED TO
ISO 9001

The Avtron Model K575A load bank can be utilized independently or as a modular building block for larger systems to meet a variety of requirements. This load bank series incorporates the latest state-of-the-art load bank design features, and manufacturing techniques to provide reliable operation and extended service life.

The contactors are enclosed in a thermostatically controlled heated compartment to help prevent problems caused by condensation. This compartment is sealed with a rubber gasket to protect the components from environmental contamination.

The load bank contains resistive elements and a blower motor in a rigid structure of formed heavy gauge steel. Designed for outdoor installation, the K575A utilizes a screened air inlet and exhaust louver to protect the motor and resistive assemblies.

Carefully engineered and manufactured resistive elements are designed to operate at a fraction of their maximum temperature rating. This ensures more stable loading, extends element operating life and eliminates the need for a cool down period after each loading session.

The Model K575A load bank is used for testing AC generating systems in production line applications and is also available mounted on a trailer to provide mobile high power testing.

For complete information on all Avtron load bank products and for assistance in specifying custom designed units, contact your Avtron sales representative at (216) 573-7600.

K575A LOAD CAPACITY RATINGS

Total Load KW	Voltage	Load Steps in KW
750	240/480, 480	50, 100, 200, 200, 200
		5, 10, 10, 25, 50, 50, 100, 100, 200, 200
1000	240/480, 480	50, 50, 100, 100, 200, 500
		5, 10, 10, 25, 50, 100, 100, 200, 500
1250	480	50, 100, 200, 200, 200, 500

K575A SPECIFICATIONS

CONSTRUCTION: Heavy gauge steel structure provides a rigid enclosure. Removable panels with rubber gaskets protect contactors from the weather. Screened air inlet and louvered exhaust openings protect the load bank from foreign objects and weather. Horizontal airflow provides maximum protection and reliability in an outdoor environment. Upright construction minimizes footprint. Permanent base is designed for mounting on floor, roof, or cement pad and is equipped with built-in forklift channels.

RESISTOR ELEMENTS: The resistive elements are designed by Avtron and manufactured of a corrosion resistant chromium alloy wire. Resistive elements are fully supported over their entire length for improved operating life.

CONTROL POWER: The K575A requires control power of 120 volts, single phase, 60 hertz, 15 amperes (control transformer optional).

CONTROLS: Contactors are protected in a thermo-statically controlled, heated compartment. The 19" rack-mounted control panel for indoor use includes a POWER ON-OFF switch, a POWER ON light, BLOWER ON-OFF push buttons with a BLOWER FAILURE light, OVERTEMPERATURE and UTILITY LOSS light, MASTER LOAD ON-OFF switch, and load step switches. A voltage selector switch is provided for dual voltage load banks.

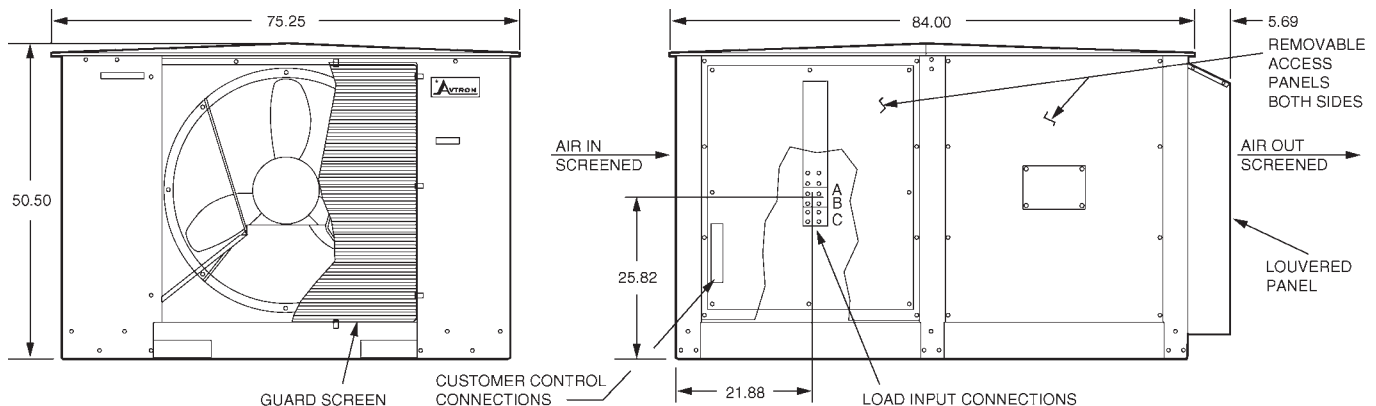
COOLING: The resistive elements are air cooled by a self-contained 5 HP (750 KW) or 10 HP (1000 KW and 1250 KW) blower requiring 460 volts, 3-phase, 60 Hz power. No additional cooling period is required when load is removed from the elements. Other blower voltages are available.

PROTECTION: The K575A differential pressure air switch is electrically interlocked to remove the load if the air flow is not sufficient to produce proper cooling. Overtemperature protection and branch circuit fusing is also provided.

WEIGHT: Approximately 1800 pounds.

OPTIONS:

- KW Meter, Voltmeter, Ammeter, and Frequency Meter
- Data Logging Software (requires metering package)
- Meter and Control Panel Enclosure
- 230/460, 208, 230, or 575V Blower
- Control transformer for 208, 230, 460, 230/460, or 575 Volt Power
- Other load voltages and DC designs are available



All dimensions are in inches.
Specifications subject to change without notice.
Printed in U.S.A. Rev. A



4016 Quartz Drive
Santa Rosa, CA 95405
Phone: 707 539-9003
Fax: 707 539-5212
Email: sales@generatorjoe.NET
Web www.generatorjoe.NET

GeneratorJoe