

ISS	ALTERATIONS	DATE

NOTES
 FOR GEN SET TYPES BCLP 13 & BCLP 10 SP
 ENGINE TYPE: LISTER PETER LPW3
 ALTERNATOR: NEWAGE BCI 164



GeneratorJoe

4016 Quartz Drive
 Santa Rosa, CA 95405
 Phone: 707 539-9003
 Fax: 707 539-5212
 Email: sales@generatorjoe.NET
 Web www.generatorjoe.NET

GENERATOR TO BE PLACED DIRECTLY ONTO A FLAT,
 LEVEL CONCRETE BASE.
 (FIX TO BASE USING 4 OFF 12mm DIA HOLES AS
 DETAILED IN DRAWING)

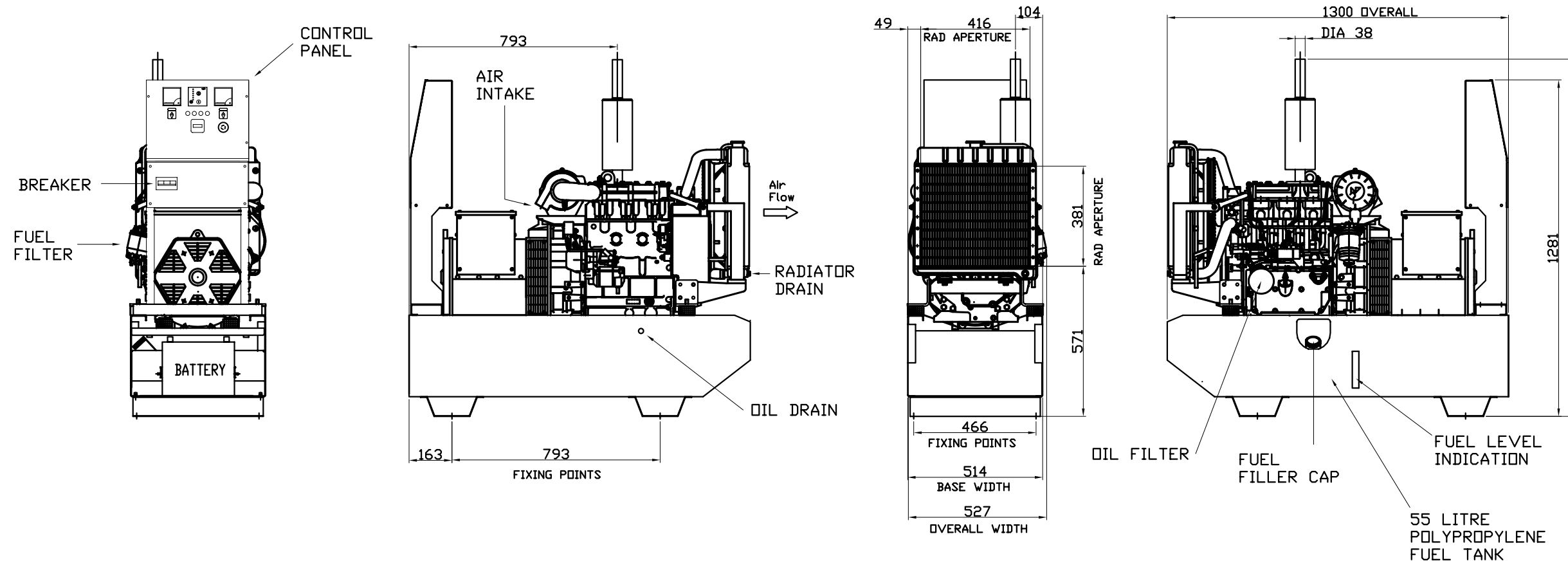
SHIPPING WEIGHT: 411kg

WET WEIGHT (WITH LUBE OIL, COOLANT AND FUEL):
 470kg

TOTAL ENGINE OIL CAPACITY: 4 litres

COOLING SYSTEM CAPACITY (50:50 WATER:GLYCOL) :
 6.5 litres

NOTE, SILENCER IS SHIPPED LOOSE (ALL FITTINGS
 SUPPLIED)



NOTES

TOLERANCES:
 BETWEEN HOLE CENTRES & HOLE
 CENTRE TO EDGE (ON FLAT) ± 0.2

HOLE CENTRES TO BEND AND
 EDGES TO BEND ± 0.5

ACROSS EACH BEND ± 0.5

FABRICATION ± 1.0

HOLE DIAMETERS AND SLOT
 WIDTHS +0.1, -0.0

ANGULAR ± 0.5°

THIRD ANGLE PROJECTION
 DO NOT SCALE, IF IN DOUBT ASK

DISTRIBUTION	
MASTER	FABRICATOR
TITLE:	LISTER PETER LPW3 GENSET
CLIENT:	
SITE:	
W.O. No.:	ENGINEER: PJA
TYPE:	LISTER PETER CHECKED:
SCALE:	NTS DATE:
TOTAL No. OF SHEETS: 1	
DRAWING NO.	ISSUE
LOS001GA	A
BROADCROWN	

A
B
C
D
E
F
G
H

1 2 3 4 5 6 7 8