

NOTES:
 FOR GEN-SET MODEL TYPES BCY 13P & BCY11PSP
 ENGINE TYPE: YANMAR 3TNE 84
 ALTERNATOR TYPE: NEWAGE BC1164
 RADIATOR TYPE: WITH ENGINE



GeneratorJoe

4016 Quartz Drive
 Santa Rosa, CA 95405
 Phone: 707 539-9003
 Fax: 707 539-5212
 Email: sales@generatorjoe.NET
 Web www.generatorjoe.NET

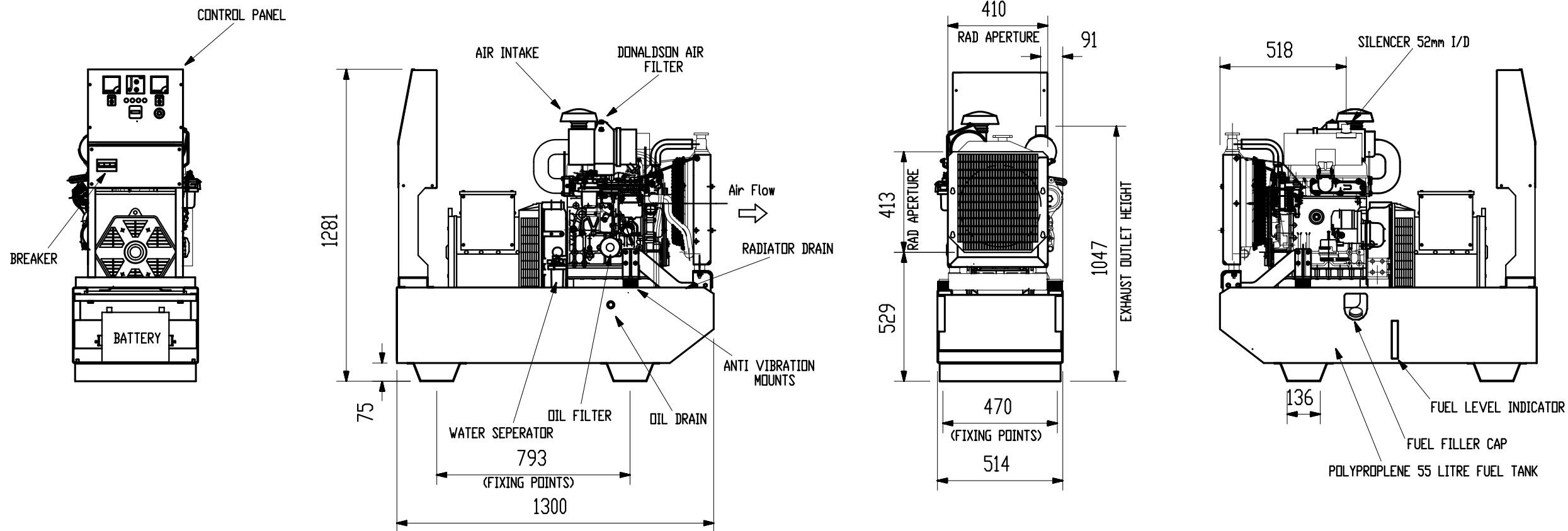
GENERATOR TO BE PLACED DIRECTLY ON
 TO A FLAT AND LEVEL FLOOR OR CONCRETE
 BASE.

SHIPPING WEIGHT: = 340 kg

WET WEIGHT
 (WITH OIL, COOLANT AND FUEL): = 400 kg

TOTAL ENGINE OIL
 CAPACITY (WITH FILTERS): 4.8 LITRES

COOLING SYSTEM CAPACITY
 (50/50 WATER/GLYCOL): 8 LITRES



THE FIXING POINTS ARE 4 OFF 12mm Ø HOLES,
 WE RECOMMEND THAT WHEN A GENERATOR IS
 INSTALLED THAT THE FIXING POINTS ARE USED

ISS	ALTERATIONS	DATE

NOTES

TOLERANCES:
 BETWEEN HOLE CENTRES & HOLE
 CENTRE TO EDGE (ON FLAT) ± 0.2

HOLE CENTRES TO BEND AND
 EDGES TO BEND ± 0.5

ACROSS EACH BEND ± 0.5

FABRICATION ± 1.0

HOLE DIAMETERS AND SLOT
 WIDTHS +0.1, -0.0

ANGULAR ± 0.5°

THIRD ANGLE PROJECTION
 DO NOT SCALE, IF IN DOUBT ASK

DISTRIBUTION		
MASTER	FABRICATOR	
TITLE:	YANMAR 3 CYL GENSET	
CLIENT:		
SITE:		
W.O. No.:	ENGINEER:	NJ
TYPE:	YANMAR	CHECKED:
SCALE:	1:20	DATE:
TOTAL No. OF SHEETS: 1		
DRAWING NO.		ISSUE
YOS00IGA		B
BROADCROWN		