

NOTES:
 FOR GEN-SET MODEL TYPES ACBCY13P & ACBCY11PSP
 ENGINE TYPE: YANMAR 3TNE 84
 ALTERNATOR TYPE: NEWAGE BCI164
 RADIATOR TYPE: WITH ENGINE

GENERATOR TO BE PLACED DIRECTLY ON TO A FLAT AND LEVEL FLOOR OR LEVEL CONCRETE BASE.

SHIPPING WEIGHT: = 640 kg

WET WEIGHT (WITH OIL, COOLANT AND FUEL): = 695 kg

TOTAL ENGINE OIL CAPACITY (WITH FILTERS): 4.8 LITRES

COOLING SYSTEM CAPACITY (50/50 WATER/GLYCOL): 8 LITRES

FUEL TANK CAPACITY 55 LITRES

NOISE LEVEL NO GREATER THAN 75 dB(A) AT 1 METRE

NOTES:
 FOR GEN-SET MODEL TYPES ACBCY 20P, ACBCY22P & ACBCY17PSP
 ENGINE TYPE: YANMAR 4TNE 84/88
 ALTERNATOR TYPE: NEWAGE BCI184
 RADIATOR TYPE: WITH ENGINE

GENERATOR TO BE PLACED DIRECTLY ON TO A FLAT AND LEVEL FLOOR OR LEVEL CONCRETE BASE.

SHIPPING WEIGHT: = 730 kg

WET WEIGHT (WITH OIL, COOLANT AND FUEL): = 785 kg

TOTAL ENGINE OIL CAPACITY (WITH FILTERS): 5.8 LITRES

COOLING SYSTEM CAPACITY (50/50 WATER/GLYCOL): 12 LITRES

FUEL TANK CAPACITY 55 LITRES

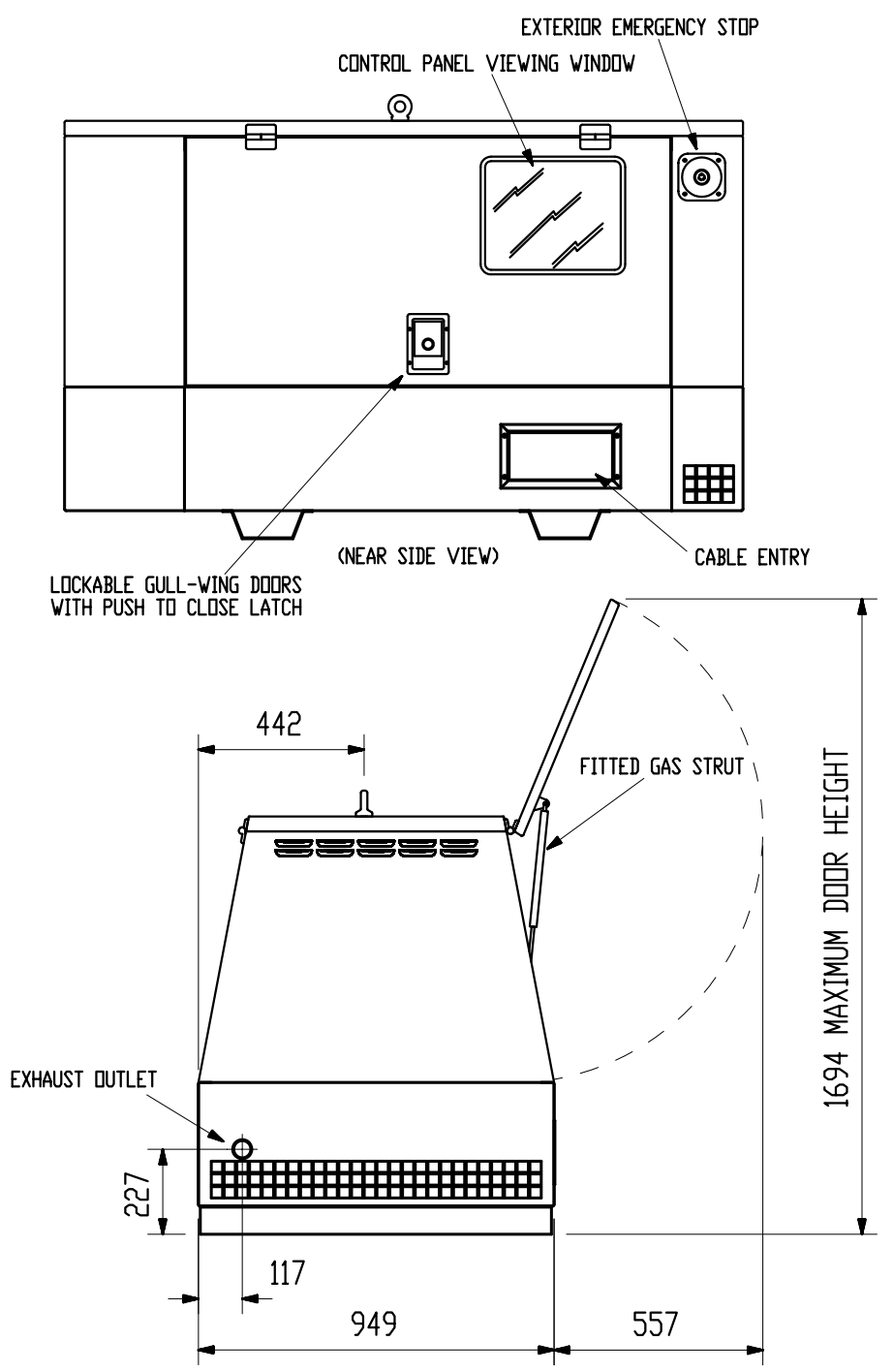
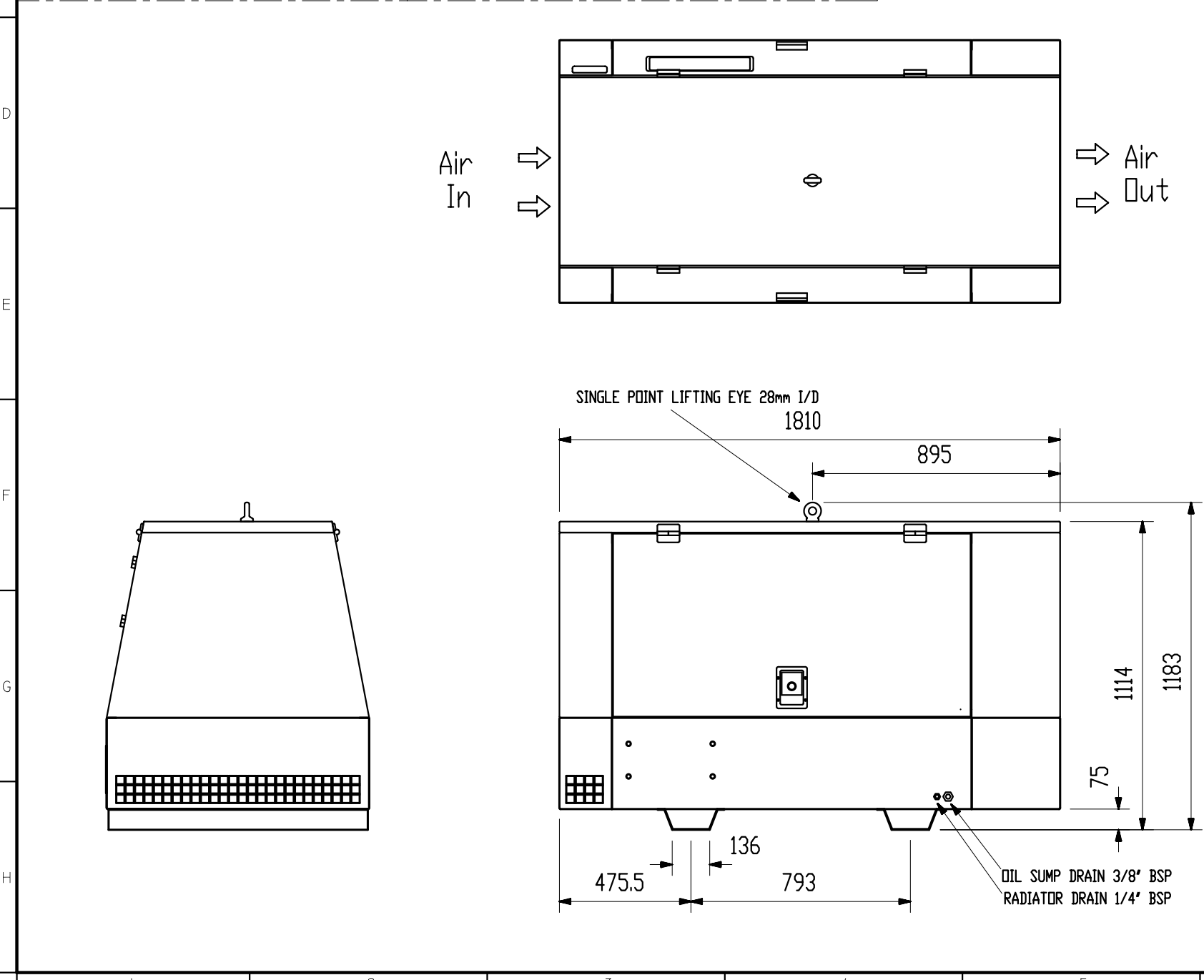
NOISE LEVEL NO GREATER THAN 75 dB(A) AT 1 METRE



GeneratorJoe

4016 Quartz Drive
 Santa Rosa, CA 95405
 Phone: 707 539-9003
 Fax: 707 539-5212
 Email: sales@generatorjoe.NET
 Web www.generatorjoe.NET

ISS	ALTERATIONS	DATE



NOTES

TOLERANCES:
 BETWEEN HOLE CENTRES & HOLE CENTRE TO EDGE (ON FLAT) ± 0.2
 HOLE CENTRES TO BEND AND EDGES TO BEND ± 0.5
 ACROSS EACH BEND ± 0.5
 FABRICATION ± 1.0
 HOLE DIAMETERS AND SLOT WIDTHS +0.1, -0.0
 ANGULAR ± 0.5°

THIRD ANGLE PROJECTION
 DO NOT SCALE, IF IN DOUBT ASK

DISTRIBUTION	
MASTER	FABRICATOR
TITLE:	YANMAR CANOPY GA
CLIENT:	
SITE:	
W.O. No.:	ENGINEER: NJ
TYPE:	YANMAR CHECKED:
SCALE:	1:20 DATE:
TOTAL No. OF SHEETS: 1	
DRAWING NO.	ISSUE
YAC00IGA	B
BROADCROWN	