

FOR INDIVIDUAL GEN-SET MODEL TYPES SEE BROADCROWN LITERATURE.

ENGINE TYPE: MITSUBISHI S4L2  
ALTERNATOR: BCI 164 D

USEABLE FUEL CAPACITY: 52L

SHIPPING WEIGHT  
(WITH OIL): Kg - Kg

WET WEIGHT  
50/50 GLYCOL & FUEL: Kg - Kg

OIL CAPACITY: 6.0 LITRES  
COOLING CAPACITY: LITRES

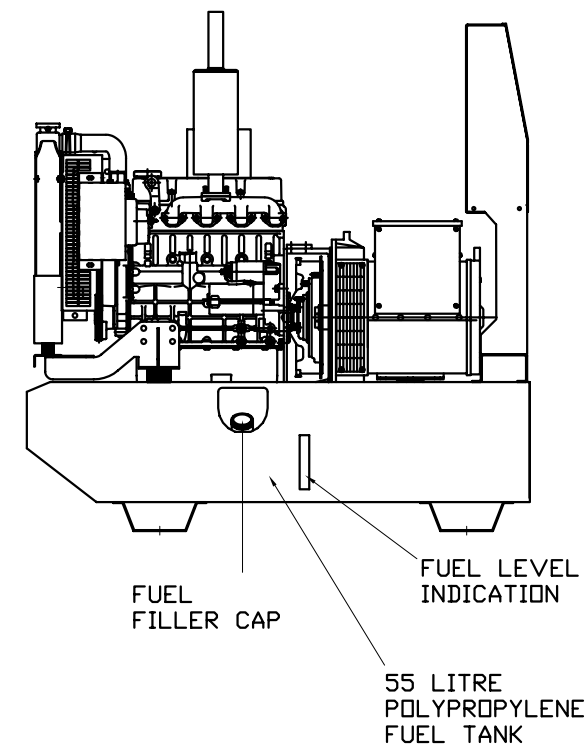
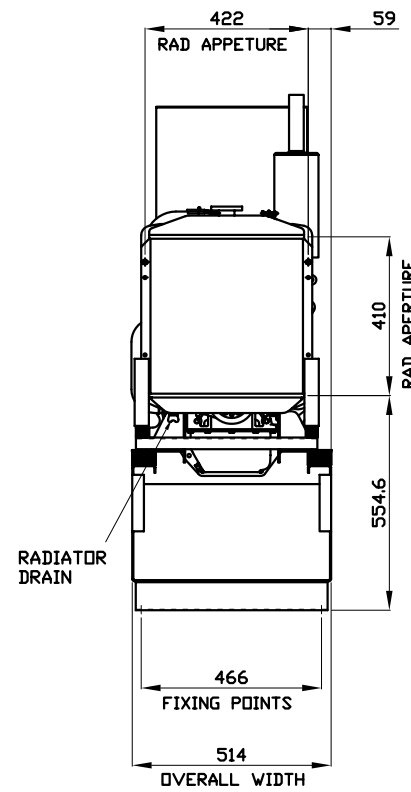
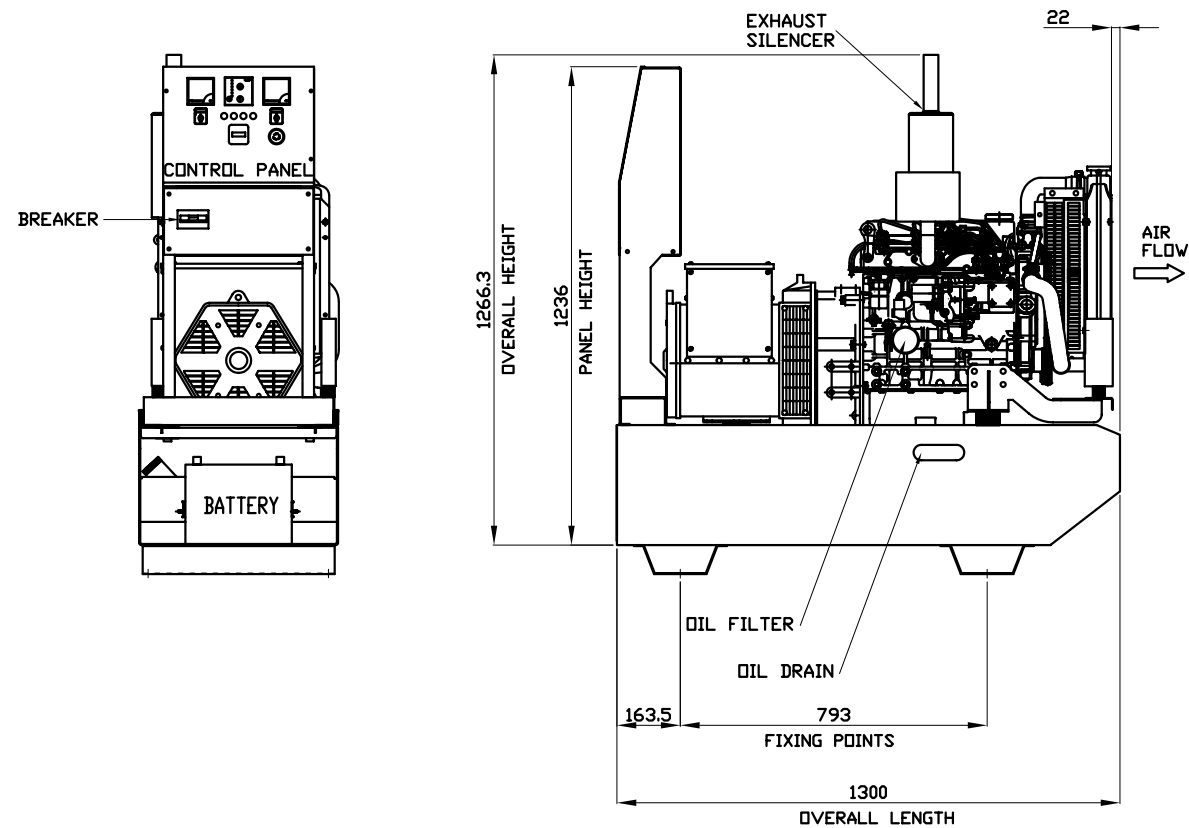
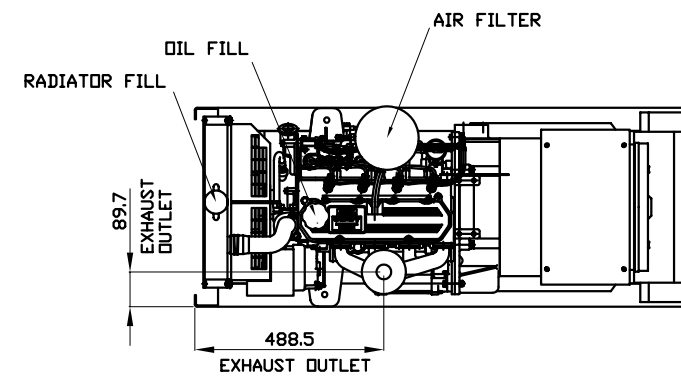
GENERATOR IS TO BE PLACED ON A FLAT FLOOR OR CONCRETE BASE.

PLEASE NOTE WEIGHTS MAY VARY DEPENDING ON ALTERNATOR COMBINATION.



**GeneratorJoe**

4016 Quartz Drive  
Santa Rosa, CA 95405  
Phone: 707 539-9003  
Fax: 707 539-5212  
Email: sales@generatorjoe.NET  
Web www.generatorjoe.NET



ISS	ALTERATIONS	DATE

NOTES

TOLERANCES:  
BETWEEN HOLE CENTRES & HOLE CENTRE TO EDGE (ON FLAT) ± 0.2

HOLE CENTRES TO BEND AND EDGES TO BEND ± 0.5

ACROSS EACH BEND ± 0.5

FABRICATION ± 1.0

HOLE DIAMETERS AND SLOT WIDTHS +0.1, -0.0

ANGULAR ± 0.5°

THIRD ANGLE PROJECTION  
DO NOT SCALE, IF IN DOUBT ASK

DISTRIBUTION	
MASTER	FABRICATOR
TITLE:	S4 L2 OPEN SET GA
CLIENT:	
SITE:	
W.O. No.:	ENGINEER: P.RUTTER
TYPE:	MITSUBISHI CHECKED:
SCALE:	1:20 DATE:
TOTAL No. OF SHEETS: 1	
DRAWING NO.	ISSUE
MGA006	A
<b>BROADCROWN</b>	