

FOR INDIVIDUAL GEN-SET MODEL TYPES SEE BROADCROWN LITERATURE.

ENGINE TYPE: MITSUBISHI S4L2
 ALTERNATOR: BCI 164
 (BCI 164 D ILLUSTRATED)

USEABLE FUEL CAPACITY: 52L

SHIPPING WEIGHT
 (WITH OIL): Kg - Kg

WET WEIGHT
 50/50 GLYCOL & FUEL: Kg - Kg

OIL CAPACITY: 6.0 LITRES
 COOLING CAPACITY: LITRES

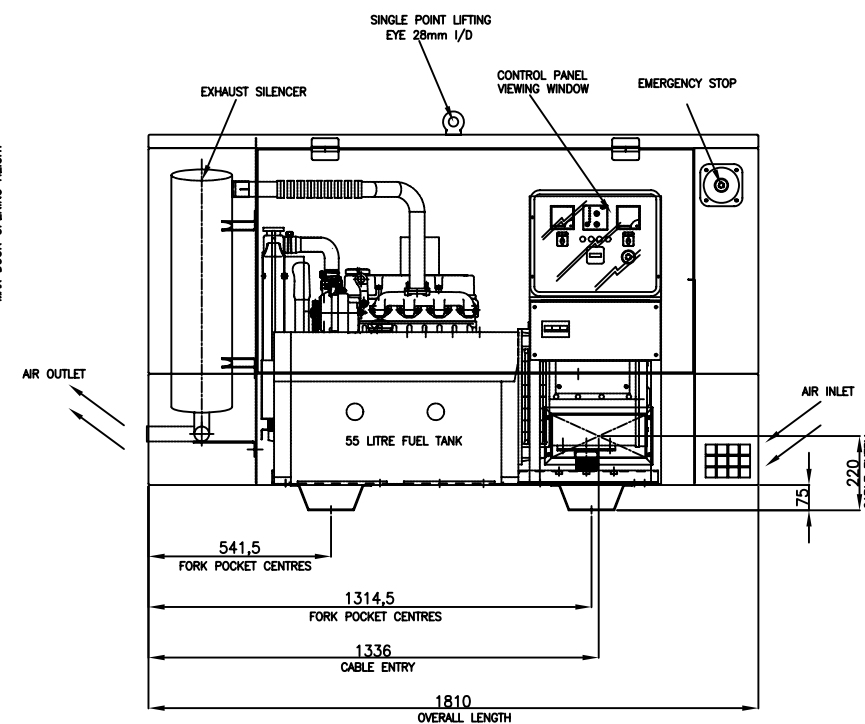
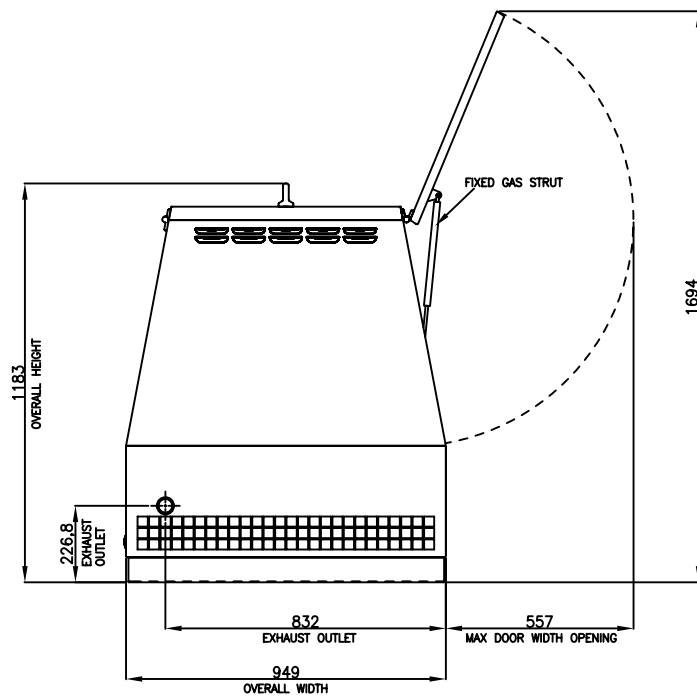
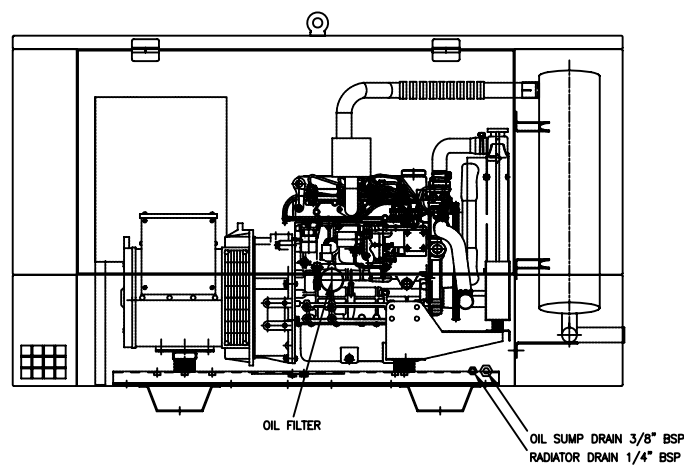
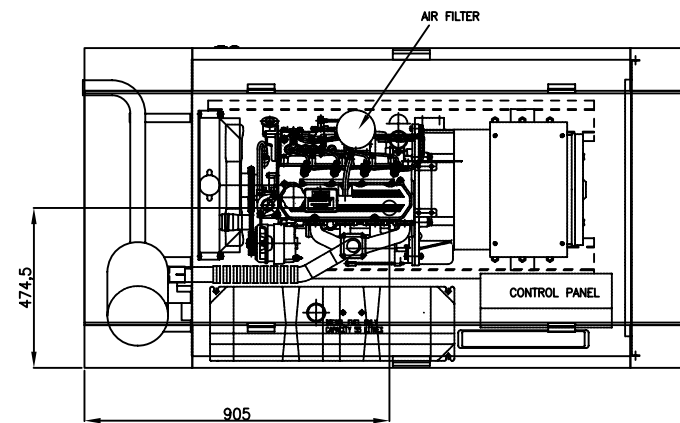
GENERATOR IS TO BE PLACED ON A FLAT FLOOR OR CONCRETE BASE.

PLEASE NOTE WEIGHTS MAY VARY DEPENDING ON ALTERNATOR COMBINATION.



GeneratorJoe

4016 Quartz Drive
 Santa Rosa, CA 95405
 Phone: 707 539-9003
 Fax: 707 539-5212
 Email: sales@generatorjoe.NET
 Web www.generatorjoe.NET



ISS	ALTERATIONS	DATE

NOTES

TOLERANCES:
 BETWEEN HOLE CENTRES & HOLE CENTRE TO EDGE (ON FLAT) ± 0.2

HOLE CENTRES TO BEND AND EDGES TO BEND ± 0.5

ACROSS EACH BEND ± 0.5

FABRICATION ± 1.0

HOLE DIAMETERS AND SLOT WIDTHS +0.1, -0.0

ANGULAR ± 0.5°

THIRD ANGLE PROJECTION
 DO NOT SCALE, IF IN DOUBT ASK

DISTRIBUTION	
MASTER	FABRICATOR
TITLE: S4 L2 GENERAL ARRANGEMENT	
CLIENT:	
SITE:	
W.O. No.:	ENGINEER: P.RUTTER
TYPE: MITSUBISHI	CHECKED:
SCALE: NTS	DATE:
TOTAL No. OF SHEETS: 1	
DRAWING NO. MGA002	ISSUE A

BROADCROWN

A
B
C
D
E
F
G
H

1 2 3 4 5 6 7 8