

FOR INDIVIDUAL GEN-SET MODEL TYPES SEE BROADCAST LITERATURE.

ENGINE TYPE: 3029TF
ALTERNATOR: BCI 184 J

USABLE FUEL CAPACITY: 155L

SHIPPING WEIGHT
(WITH OIL): 715Kg

WET WEIGHT
50/50 GLYCOL & FUEL: 860Kg

OIL CAPACITY: 9 LITRES
COOLING CAPACITY: 16.5 LITRES

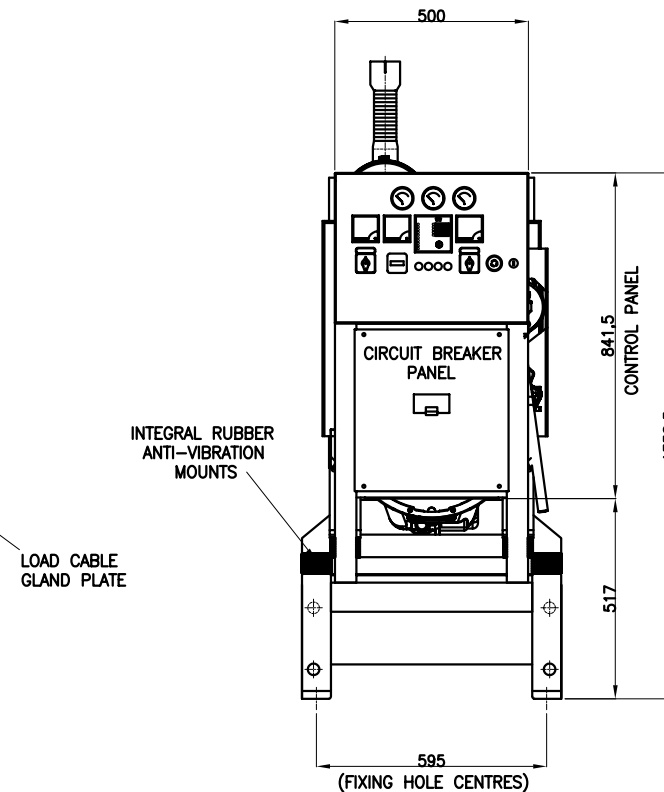
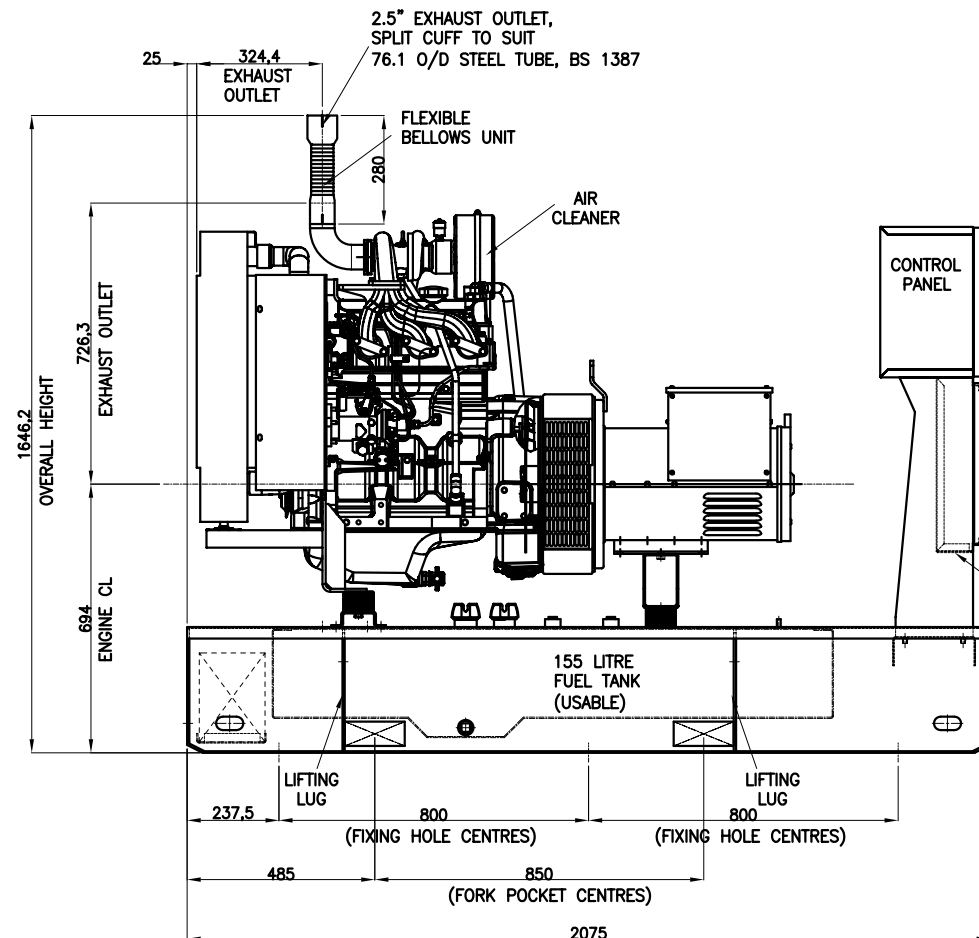
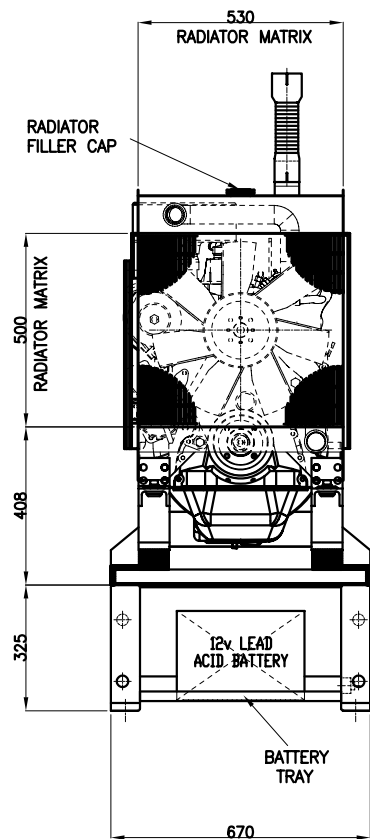
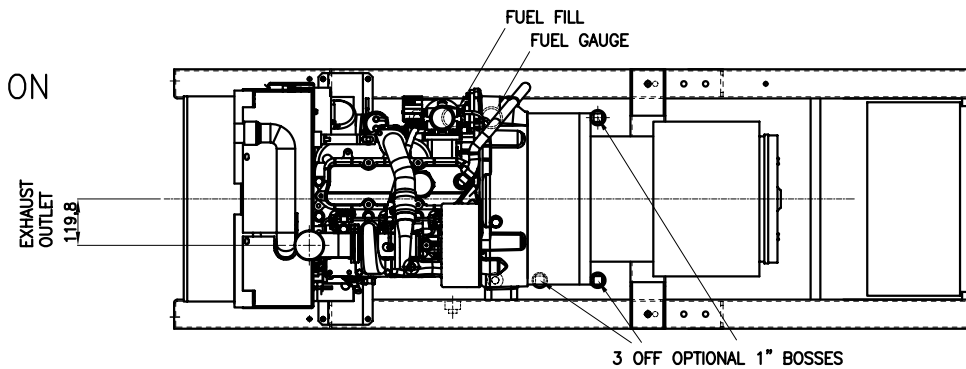
GENERATOR IS TO BE PLACED ON A FLAT FLOOR OR CONCRETE BASE

PLEASE NOTE WEIGHTS MAY VARY DEPENDING ON ALTERNATOR COMBINATION



GeneratorJoe

4016 Quartz Drive
Santa Rosa, CA 95405
Phone: 707 539-9003
Fax: 707 539-5212
Email: sales@generatorjoe.NET
Web www.generatorjoe.NET



ISS	ALTERATIONS	DATE

NOTES

TOLERANCES:
BETWEEN HOLE CENTRES & HOLE CENTRE TO EDGE (ON FLAT) ± 0.2

HOLE CENTRES TO BEND AND EDGES TO BEND ± 0.5

ACROSS EACH BEND ± 0.5

FABRICATION ± 1.0

HOLE DIAMETERS AND SLOT WIDTHS +0.1, -0.0

ANGULAR ± 0.5°

THIRD ANGLE PROJECTION
DO NOT SCALE, IF IN DOUBT ASK

DISTRIBUTION	
MASTER	FABRICATOR
TITLE:	OPEN FRAME 2-3029TF GA
CLIENT:	
SITE:	
W.O. No.:	ENGINEER: P.RUTTER
TYPE:	CHECKED:
SCALE:	1:20 DATE:
TOTAL No. OF SHEETS: 1	
DRAWING NO.	ISSUE
JGA043	A
BROADCAST	