

FOR INDIVIDUAL GEN-SET MODEL TYPES SEE BROADCAST LITERATURE.

ENGINE TYPE: 5030TF  
ALTERNATOR: UCI 224

USABLE FUEL CAPACITY: 155L

SHIPPING WEIGHT  
(WITH OIL): 750-790 Kg's

WET WEIGHT  
50/50 GLYCOL & FUEL: 911-951 Kg's

OIL CAPACITY: 8 LITRES  
COOLING CAPACITY: 8.5 LITRES

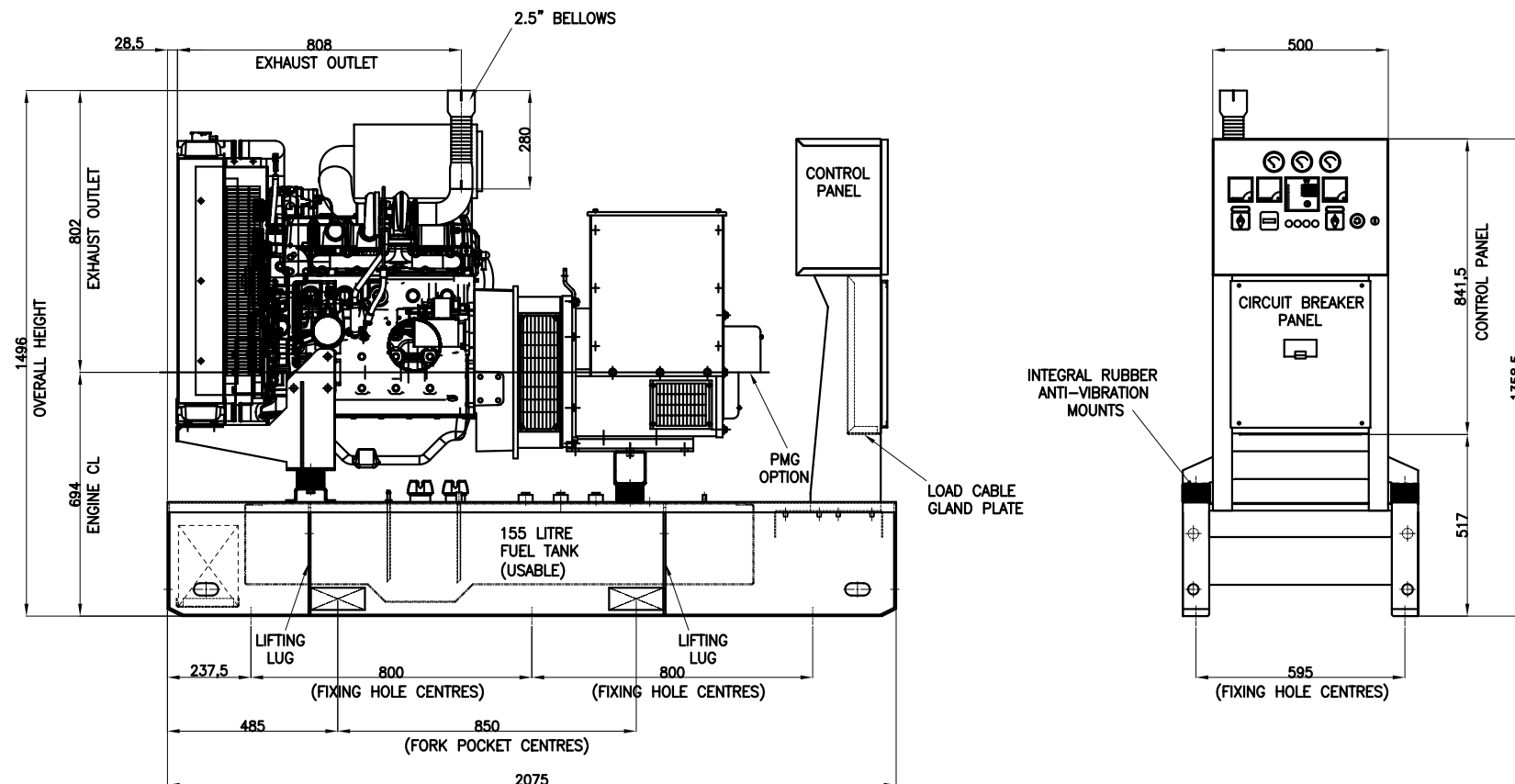
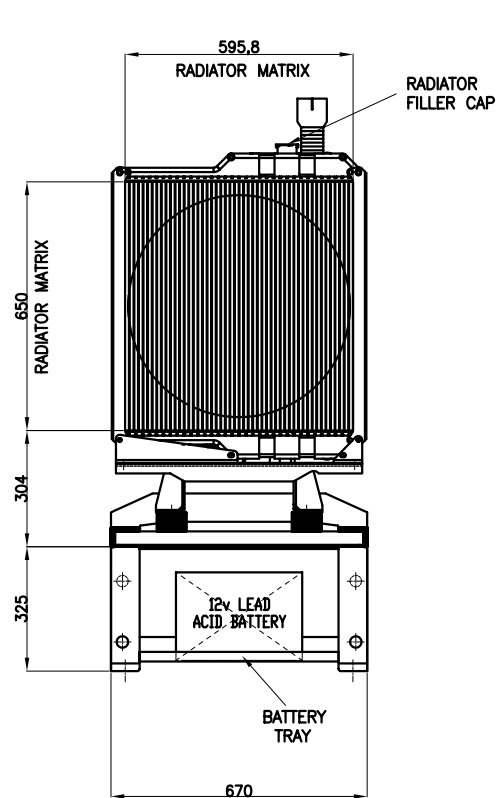
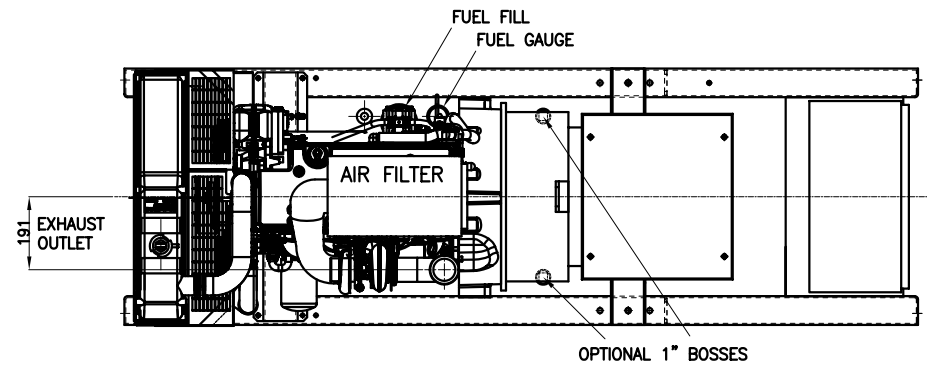
GENERATOR IS TO BE PLACED ON A FLAT FLOOR OR CONCRETE BASE

PLEASE NOTE WEIGHTS MAY VARY DEPENDING ON ALTERNATOR COMBINATION



**GeneratorJoe**

4016 Quartz Drive  
Santa Rosa, CA 95405  
Phone: 707 539-9003  
Fax: 707 539-5212  
Email: sales@generatorjoe.NET  
Web www.generatorjoe.NET



ISS	ALTERATIONS	DATE

NOTES

TOLERANCES:  
BETWEEN HOLE CENTRES & HOLE CENTRE TO EDGE (ON FLAT) ± 0.2

HOLE CENTRES TO BEND AND EDGES TO BEND ± 0.5

ACROSS EACH BEND ± 0.5

FABRICATION ± 1.0

HOLE DIAMETERS AND SLOT WIDTHS +0.1, -0.0

ANGULAR ± 0.5°

THIRD ANGLE PROJECTION  
DO NOT SCALE, IF IN DOUBT ASK

DISTRIBUTION	
MASTER	FABRICATOR
TITLE: OPEN FRAME 2-5030TF GA	
CLIENT:	
SITE:	
W.O. No.:	ENGINEER: P.RUTTER
TYPE:	CHECKED:
SCALE: 1:20	DATE:
TOTAL No. OF SHEETS: 1	
DRAWING NO. JGA029	ISSUE: A
<b>BROADCAST</b>	

A  
B  
C  
D  
E  
F  
G  
H

1 2 3 4 5 6 7 8