

FOR INDIVIDUAL GEN-SET MODEL TYPES
SEE BROADCAST LITERATURE.

ENGINE TYPE: 5030HF
ALTERNATOR: UCI 224
(UCI 224 E&F ILLUSTRATED)

USABLE FUEL CAPACITY: 225L

SHIPPING WEIGHT
(WITH OIL): 1197Kg - 1227Kg

WET WEIGHT
50/50 GLYCOL & FUEL: 1416Kg - 1446Kg

OIL CAPACITY: 8 LITRES
COOLING CAPACITY: 16 LITRES

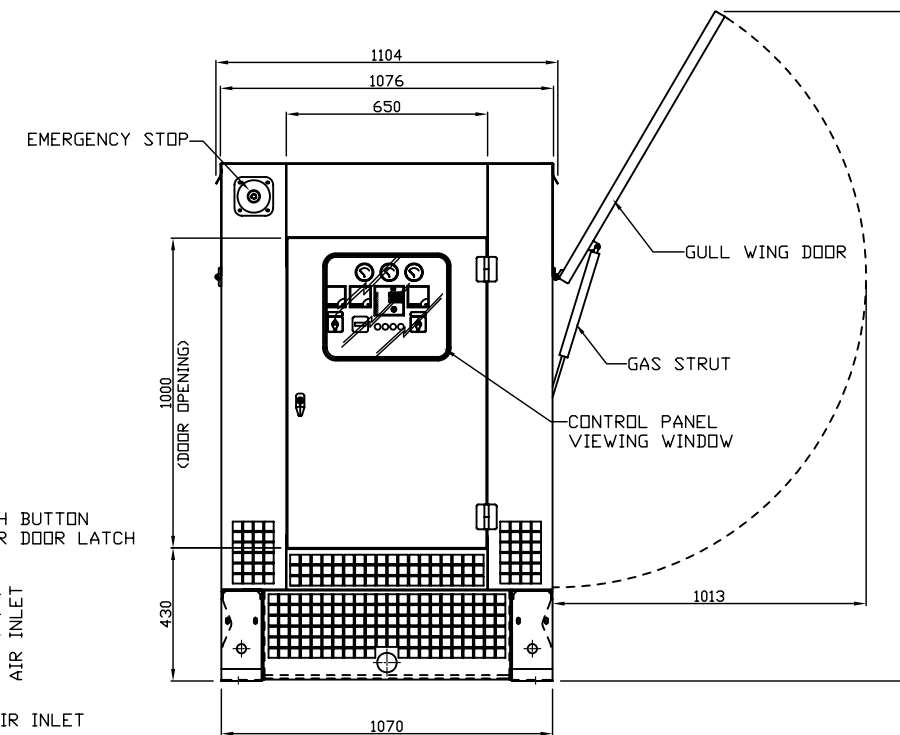
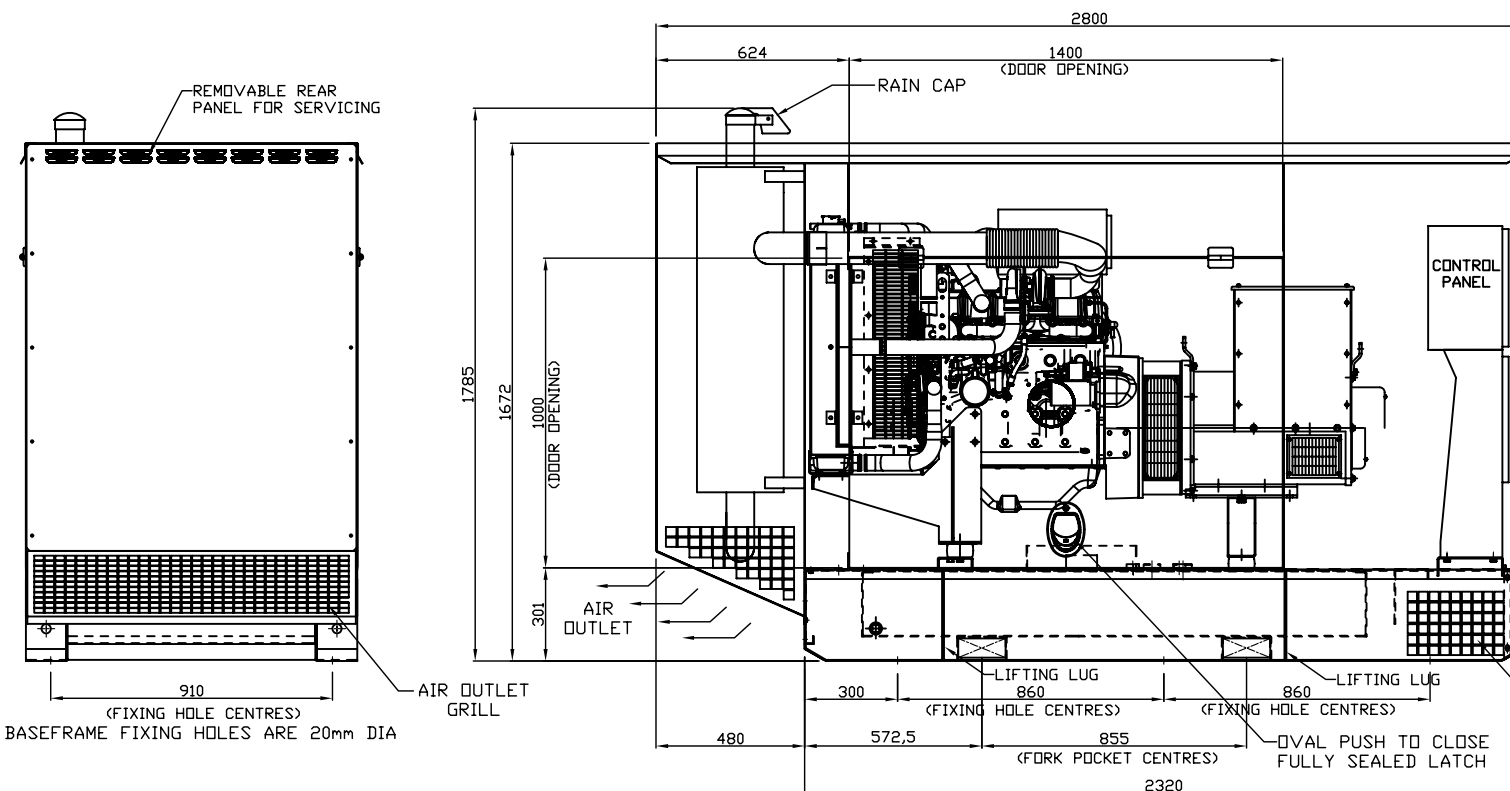
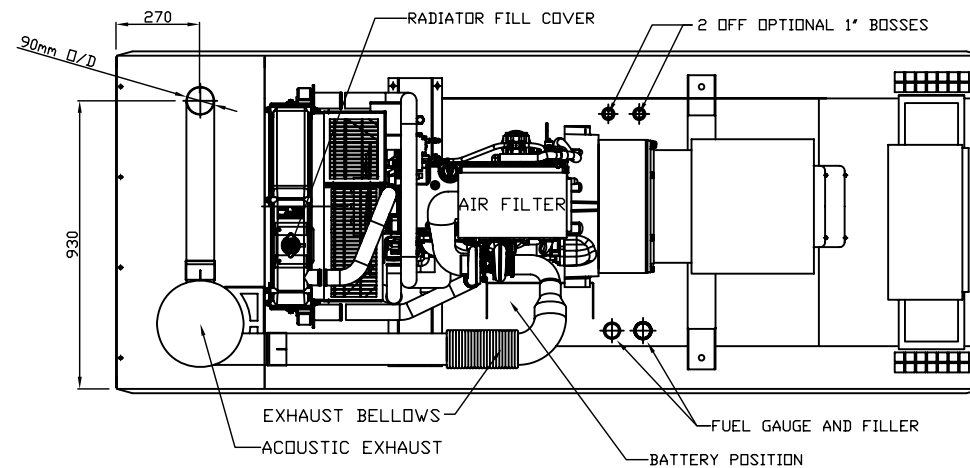
GENERATOR IS TO BE PLACED ON A FLAT
FLOOR OR CONCRETE BASE

PLEASE NOTE WEIGHTS MAY VARY
DEPENDING ON ALTERNATOR COMBINATION



GeneratorJoe

4016 Quartz Drive
Santa Rosa, CA 95405
Phone: 707 539-9003
Fax: 707 539-5212
Email: sales@generatorjoe.NET
Web www.generatorjoe.NET



ISS	ALTERATIONS	DATE

NOTES

TOLERANCES:
BETWEEN HOLE CENTRES & HOLE
CENTRE TO EDGE (ON FLAT) ± 0.2

HOLE CENTRES TO BEND AND
EDGES TO BEND ± 0.5

ACROSS EACH BEND ± 0.5

FABRICATION ± 1.0

HOLE DIAMETERS AND SLOT
WIDTHS +0.1, -0.0

ANGULAR ± 0.5°

THIRD ANGLE PROJECTION
DO NOT SCALE, IF IN DOUBT ASK

DISTRIBUTION

MASTER	FABRICATOR

TITLE:	JD 5030HF ACOUSTIC CANOPY 2		
CLIENT:			
SITE:			
W.O. No.:	ENGINEER:	P.RUTTER	
TYPE:	CHECKED:		
SCALE:	NTS	DATE:	

TOTAL No. OF SHEETS: 1		ISSUE
DRAWING NO. JGA037		A

BROADCAST