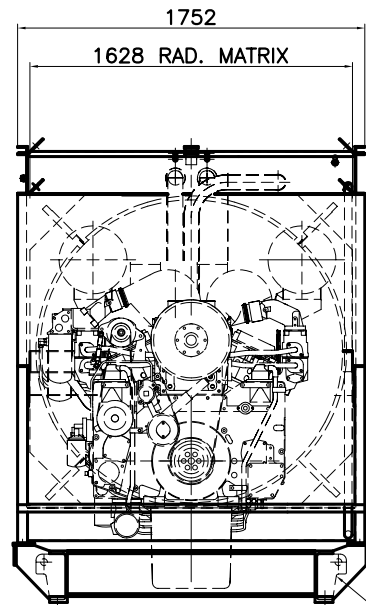
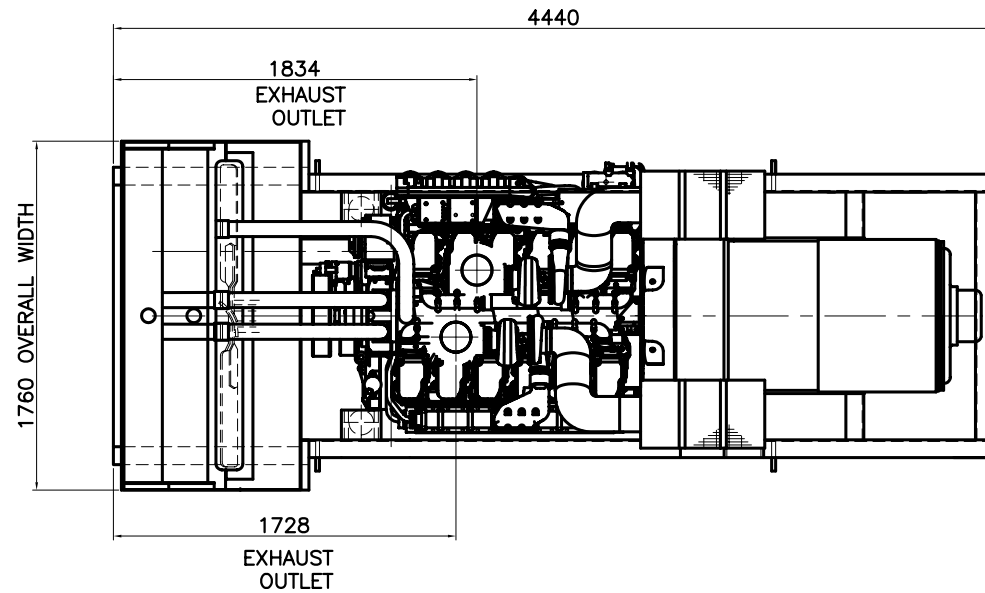


GENSET DETAILS--

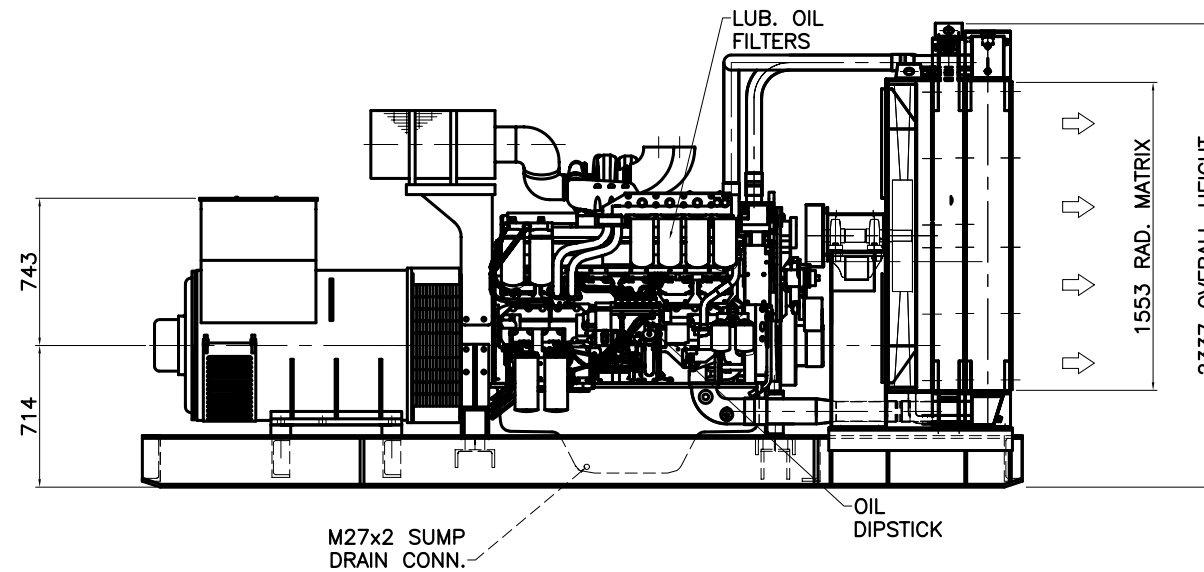
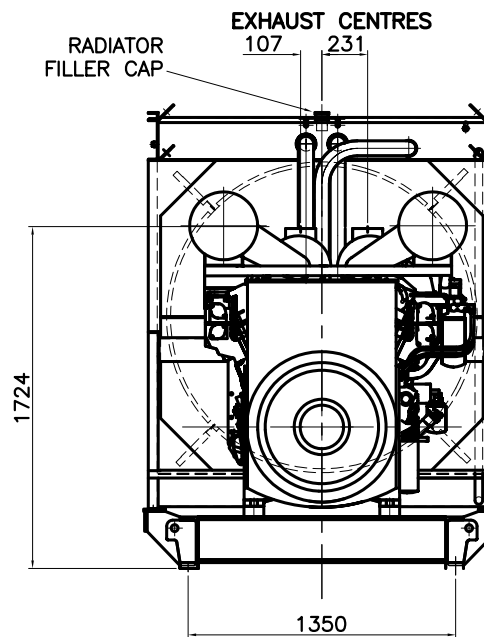
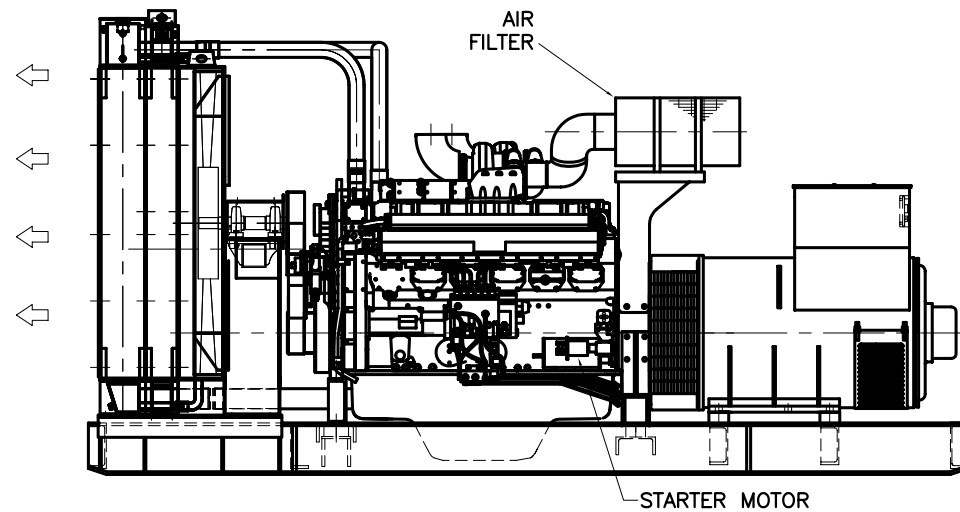
FRONT ENGINE FEET: AVM-R11255BN6
 REAR ENGINE AND ALTERNATOR FEET: AVM-R10055BN7

WEIGHTS:-
 ENGINE: 2967 KG DRY, 3062 KG WET
 ALTERNATOR: 2268 KG
 RADIATOR: 438 KG DRY, 560 WET
 BASEFRAME: 1155 KG

COLOURS:-
 ENGINE:- MAIZE YELLOW
 BASEFRAME, ALTERNATOR & RADIATOR:- SEMI GLOSS BLACK



4 X LIFTING LUGS

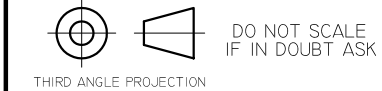


GeneratorJoe

4016 Quartz Drive
 Santa Rosa, CA 95405
 Phone: 707 539-9003
 Fax: 707 539-5212
 Email: sales@generatorjoe.NET
 Web www.generatorjoe.NET

No.	ALTERATIONS	CHK'D DATE
-----	-------------	------------

NOTES - MECHANICAL
 TOLERANCES:
 GENERAL TOLERANCE + / - 5MM
 FABRICATION + / - 3MM
 HOLE CENTRES + / - 1MM
 OTHER TOLERANCES AS STATED WHERE REQUIRED



NOTES - ELECTRICAL
 CABLE SIZE: 1.5MM UNLESS OTHERWISE STATED
 CABLE COLOURS
 DC CONTROL: VIOLET
 DC POWER: POSITIVE BROWN, NEGATIVE BLUE
 AC POWER SINGLE PHASE: LIVE BROWN, NEUTRAL BLUE
 AC POWER THREE PHASE: L1 BROWN, L2 BLACK, L3 GREY, NEUTRAL BLUE
 AC CONTROL: BLACK

TITLE: GEN-SET GENERAL ARRANGEMENT	
CLIENT:	
SITE:	
W.O. No.:	ENGINEER: SKM
TYPE: BCC1010P/1110S	DRAWN BY: SKM
SCALE: NTS	DATE: 23.11.05

TOTAL No. OF SHEETS (1 - 999)	1
DRAWING NO.	ISSUE
BCC1010P MASTER	A



THIS IS NOT AN OFFICIAL CONTRACT DRAWING - FOR PRELIMINARY USE ONLY.