

FOR INDIVIDUAL GEN-SET MODEL TYPES SEE BROADCROWN LITERATURE.

ENGINE TYPE: 4045HF  
ALTERNATOR: UCDI 274

USABLE FUEL CAPACITY: 250L

SHIPPING WEIGHT  
(WITH OIL): 1090Kg

WET WEIGHT  
50/50 GLYCOL & FUEL: 1284Kg

OIL CAPACITY: 12 LITRES  
COOLING CAPACITY: 25.0 LITRES

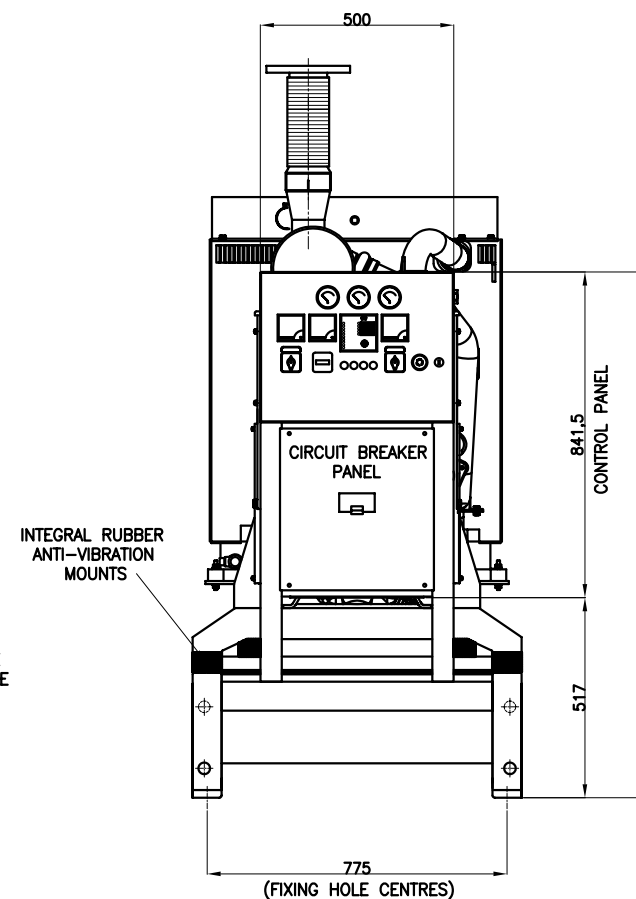
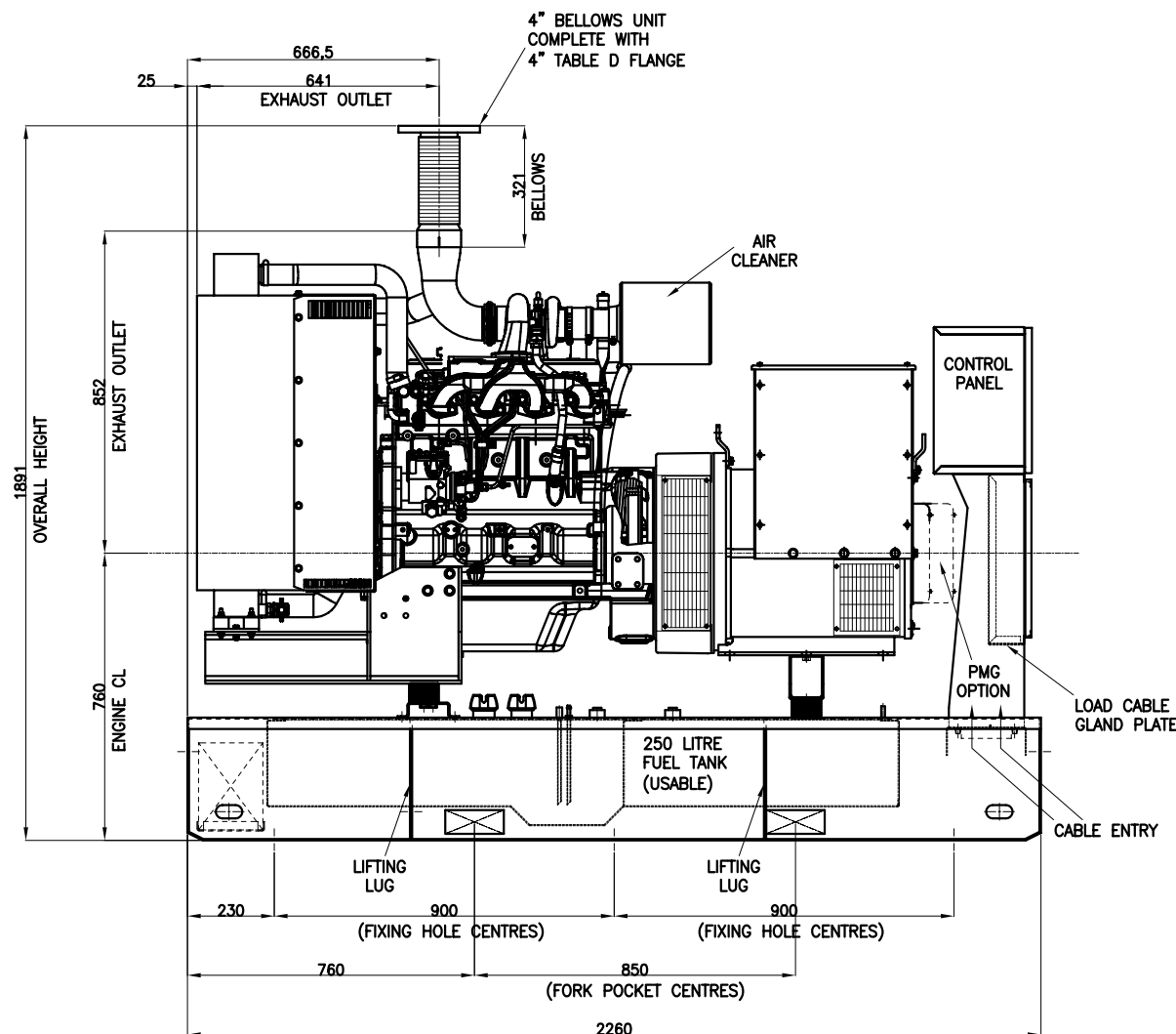
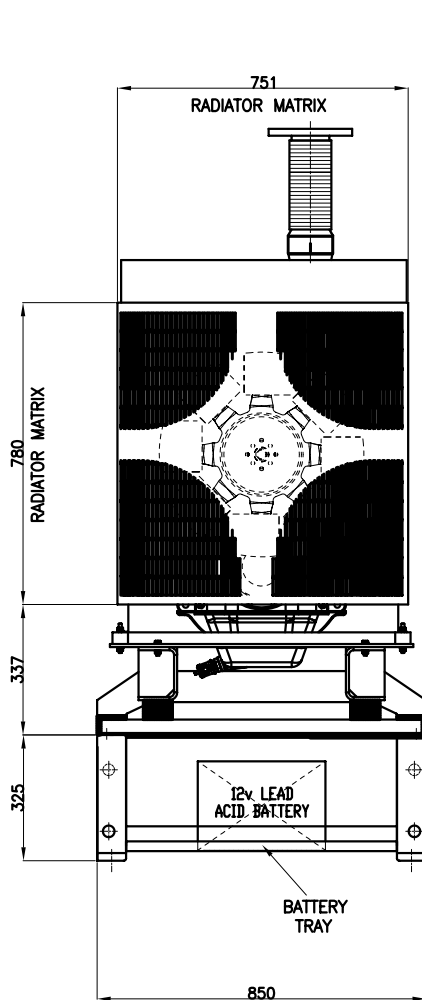
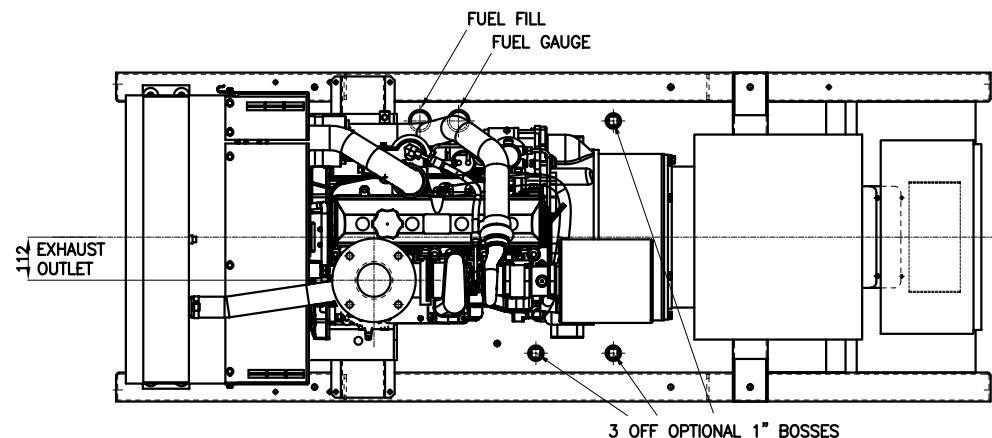
GENERATOR IS TO BE PLACED ON  
A FLAT FLOOR OR CONCRETE BASE

PLEASE NOTE WEIGHTS MAY VARY  
DEPENDING ON ALTERNATOR COMBINATION



**GeneratorJoe**

4016 Quartz Drive  
Santa Rosa, CA 95405  
Phone: 707 539-9003  
Fax: 707 539-5212  
Email: sales@generatorjoe.NET  
Web www.generatorjoe.NET



ISS	ALTERATIONS	DATE
B	EXHAUST OUTLET DETAIL AND POSITION CHANGED. CABLE ENTRY DETAIL ADDED.	05-10-07 P.R

NOTES

TOLERANCES:  
BETWEEN HOLE CENTRES & HOLE CENTRE TO EDGE (ON FLAT)  $\pm 0.2$

HOLE CENTRES TO BEND AND EDGES TO BEND  $\pm 0.5$

ACROSS EACH BEND  $\pm 0.5$

FABRICATION  $\pm 1.0$

HOLE DIAMETERS AND SLOT WIDTHS  $+0.1, -0.0$

ANGULAR  $\pm 0.5^\circ$

THIRD ANGLE PROJECTION  
DO NOT SCALE, IF IN DOUBT ASK

DISTRIBUTION	
MASTER	FABRICATOR
TITLE:	OPEN FRAME 3-4045HF GA
CLIENT:	
SITE:	
W.O. No.:	ENGINEER: P.RUTTER
TYPE:	CHECKED:
SCALE:	DATE:
TOTAL No. OF SHEETS: 1	
DRAWING NO.	ISSUE
JGA031	B
<b>BROADCROWN</b>	