

FOR INDIVIDUAL GEN-SET MODEL TYPES  
SEE BROADCROWN LITERATURE.

ENGINE TYPE: 4045HF  
ALTERNATOR: UCI 274 C

USABLE FUEL CAPACITY: 225L

SHIPPING WEIGHT  
(WITH OIL): 1670Kg

WET WEIGHT  
50/50 GLYCOL & FUEL: 1890Kg

OIL CAPACITY: 12 LITRES  
COOLING CAPACITY: 25 LITRES

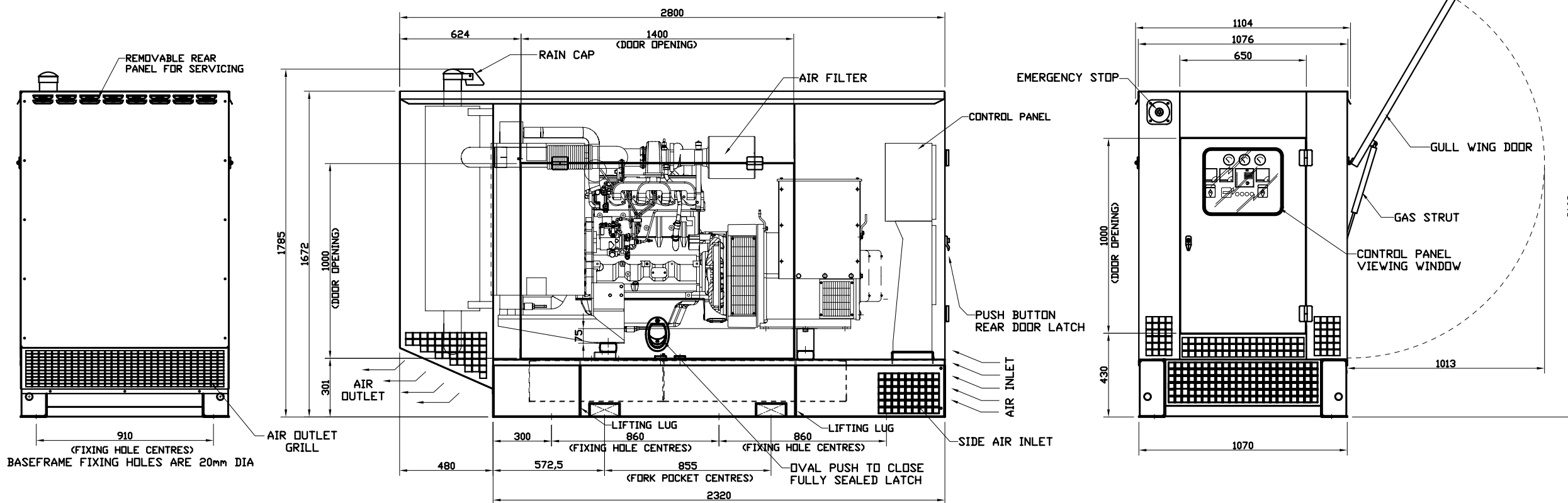
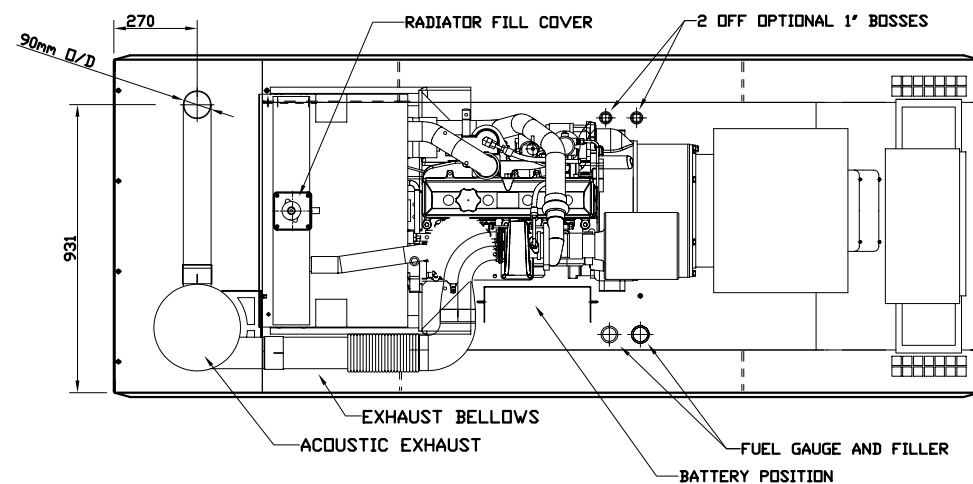
GENERATOR IS TO BE PLACED ON A FLAT  
FLOOR OR CONCRETE BASE

PLEASE NOTE WEIGHTS MAY VARY  
DEPENDING ON ALTERNATOR COMBINATION



**GeneratorJoe**

4016 Quartz Drive  
Santa Rosa, CA 95405  
Phone: 707 539-9003  
Fax: 707 539-5212  
Email: sales@generatorjoe.NET  
Web www.generatorjoe.NET



ISS	ALTERATIONS	DATE
B	EMERGENCY STOP DISH MOVED. MORE DETAIL ADDED.	27-10-03 NJ
C	FUEL CAPACITY CORRECTED, WEIGHTS ADJUSTED	15-01-04 P.R

NOTES

TOLERANCES:  
BETWEEN HOLE CENTRES & HOLE CENTRE TO EDGE (ON FLAT) ± 0.2  
HOLE CENTRES TO BEND AND EDGES TO BEND ± 0.5  
ACROSS EACH BEND ± 0.5  
FABRICATION ± 1.0  
HOLE DIAMETERS AND SLOT WIDTHS +0.1, -0.0  
ANGULAR ± 0.5°

THIRD ANGLE PROJECTION  
DO NOT SCALE, IF IN DOUBT ASK

DISTRIBUTION	
MASTER	FABRICATOR
TITLE:	JD 4045HF ACOUSTIC CANOPY 2
CLIENT:	
SITE:	
W.O. No.:	ENGINEER: N JONES
TYPE:	CHECKED:
SCALE:	DATE:
TOTAL No. OF SHEETS: 1	
DRAWING NO.	ISSUE
JGA005	C

