

**GENSET DETAILS-**

ENGINE: CUMMINS QSK50 G4  
 ALTERNATOR: NEWAGE P1 734C (SINGLE BEARING)  
 RADIATOR: BEARWARD 5684000001  
 AV MOUNTS: FARRAT ISOLATOR RM SERIES  
 FRONT ENGINE FEET: AVM-R12555BN7  
 REAR ENGINE AND ALTERNATOR FEET: AVM-R12555BN6

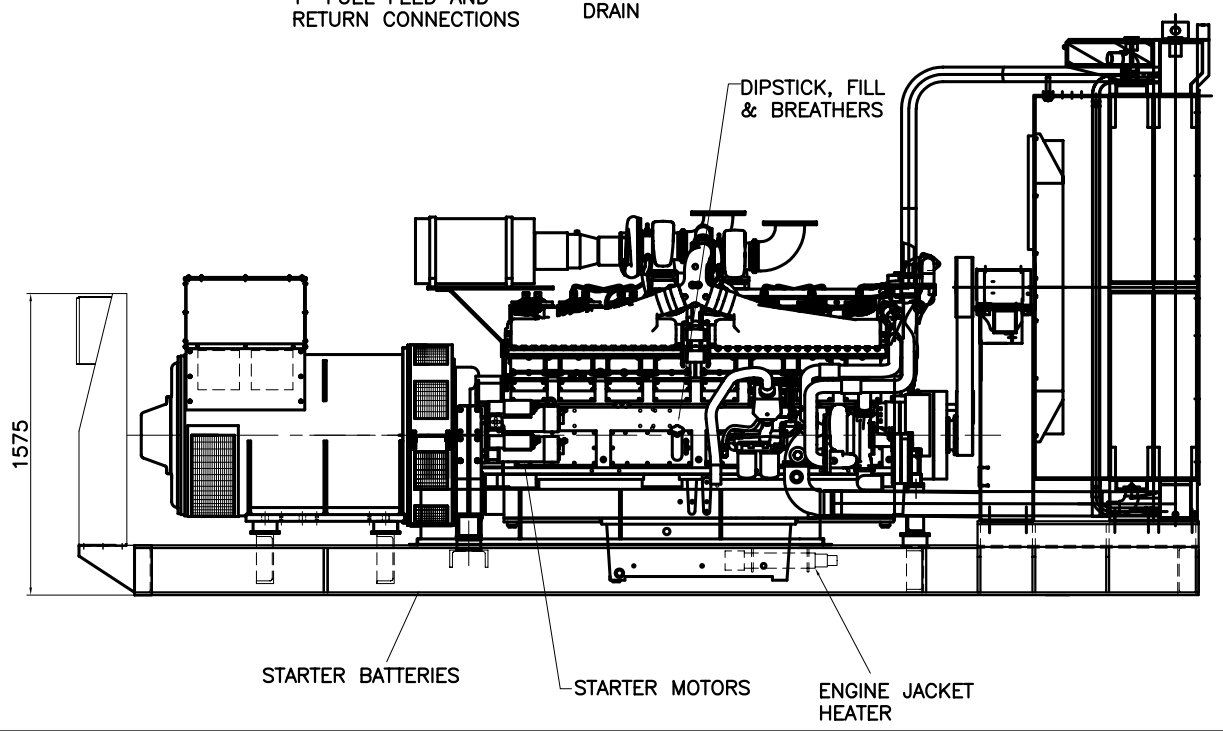
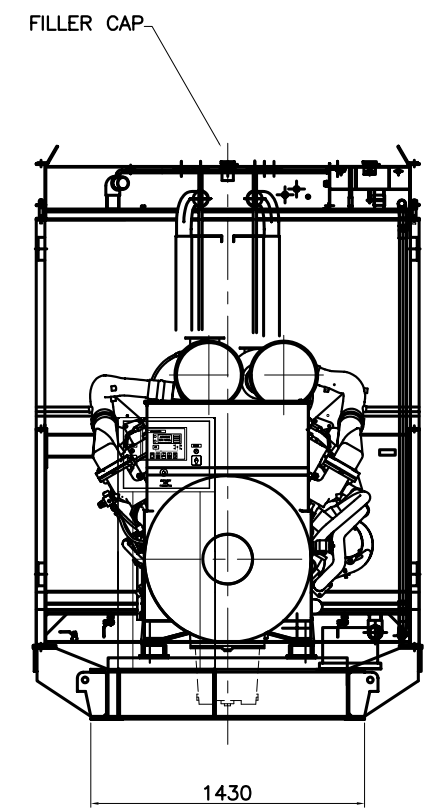
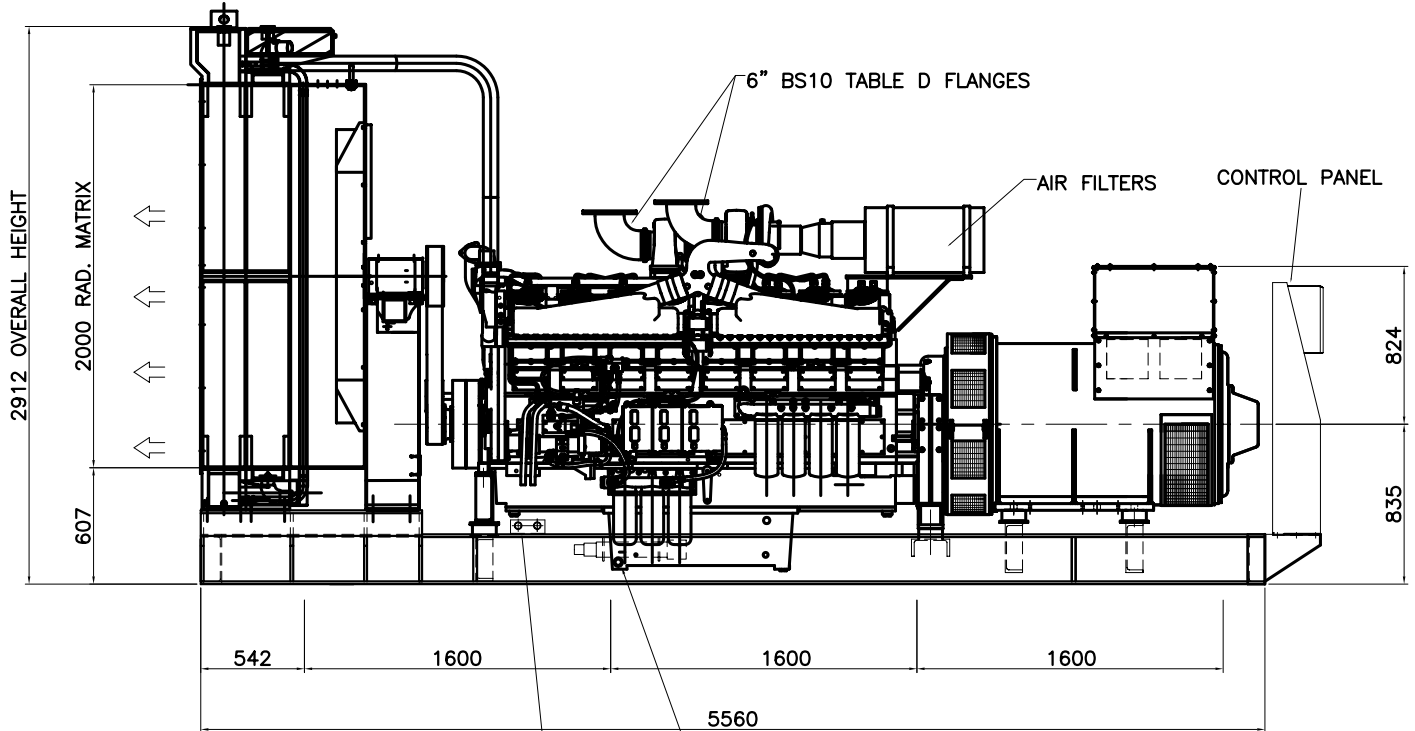
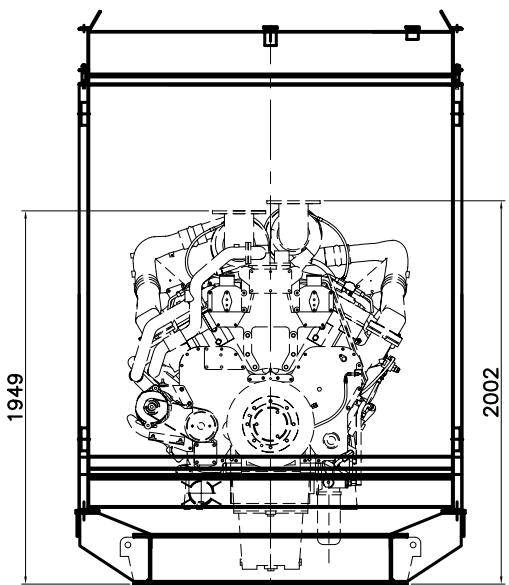
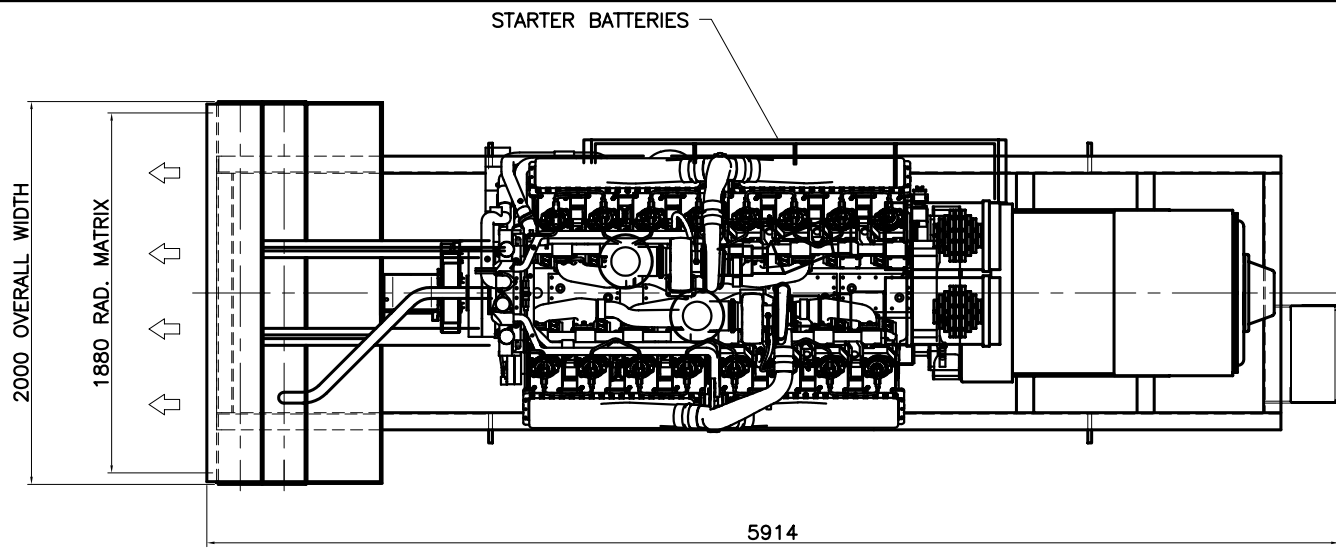
OUTPUT: 1875 kVA @ 1800 RPM (STANDBY RATING)  
 WEIGHTS:-  
 ENGINE: 5410 KG DRY, 5712 KG WET  
 ALTERNATOR: 3018 KG  
 RADIATOR: TBA KG DRY, TBA KG WET

**BASIC GENERATOR WEIGHT: TBA KG (DRY), TBA KG (WET)**

CONTROL PANEL: 20 KG

**COLOURS:-**

ENGINE:- MAIZE YELLOW  
 BASEFRAME, ALTERNATOR & RADIATOR:- SEMI GLOSS BLACK



**GeneratorJoe**

4016 Quartz Drive  
 Santa Rosa, CA 95405  
 Phone: 707 539-9003  
 Fax: 707 539-5212  
 Email: sales@generatorjoe.NET  
 Web www.generatorjoe.NET

No.		ALTERATIONS		CHK'D DATE
NOTES - MECHANICAL				
TOLERANCES: GENERAL TOLERANCE +/- 5MM FABRICATION +/- 3MM HOLE CENTRES +/- 1MM OTHER TOLERANCES AS STATED WHERE REQUIRED				
		DO NOT SCALE IF IN DOUBT ASK		
THIRD ANGLE PROJECTION				
NOTES - ELECTRICAL				
CABLE SIZE: 1.5MM UNLESS OTHERWISE STATED				
CABLE COLOURS DC CONTROL: VIOLET DC POWER: POSITIVE BROWN NEGATIVE BLUE AC POWER SINGLE PHASE: LIVE BROWN NEUTRAL BLUE AC POWER THREE PHASE: L1 BROWN L2 BLACK, L3 GREY, NEUTRAL BLUE AC CONTROL: BLACK				
TITLE: GEN-SET GENERAL ARRANGEMENT				
CLIENT:				
SITE:				
W.O. No.:	ENGINEER:	SKM		
TYPE: BCC1500S-60 T2	DRAWN BY:	SKM		
SCALE: NTS	DATE:	30.08.07		
TOTAL No. OF SHEETS (1 - 999)				1
DRAWING NO.				ISSUE
BCC1500T2-GA01-A1				A
<b>BROADCROWN</b>				