

FOR INDIVIDUAL GEN-SET MODEL TYPES SEE BROADCROWN LITERATURE.

ENGINE TYPE: 6068HF
ALTERNATOR: UCI274H/F

USABLE FUEL CAPACITY: 450L

SHIPPING WEIGHT
(WITH OIL): 2094Kg - 2190Kg

WET WEIGHT
50/50 GLYCOL & FUEL: 2510Kg - 2605Kg

OIL CAPACITY: 19 LITRES
COOLING CAPACITY: 26 LITRES

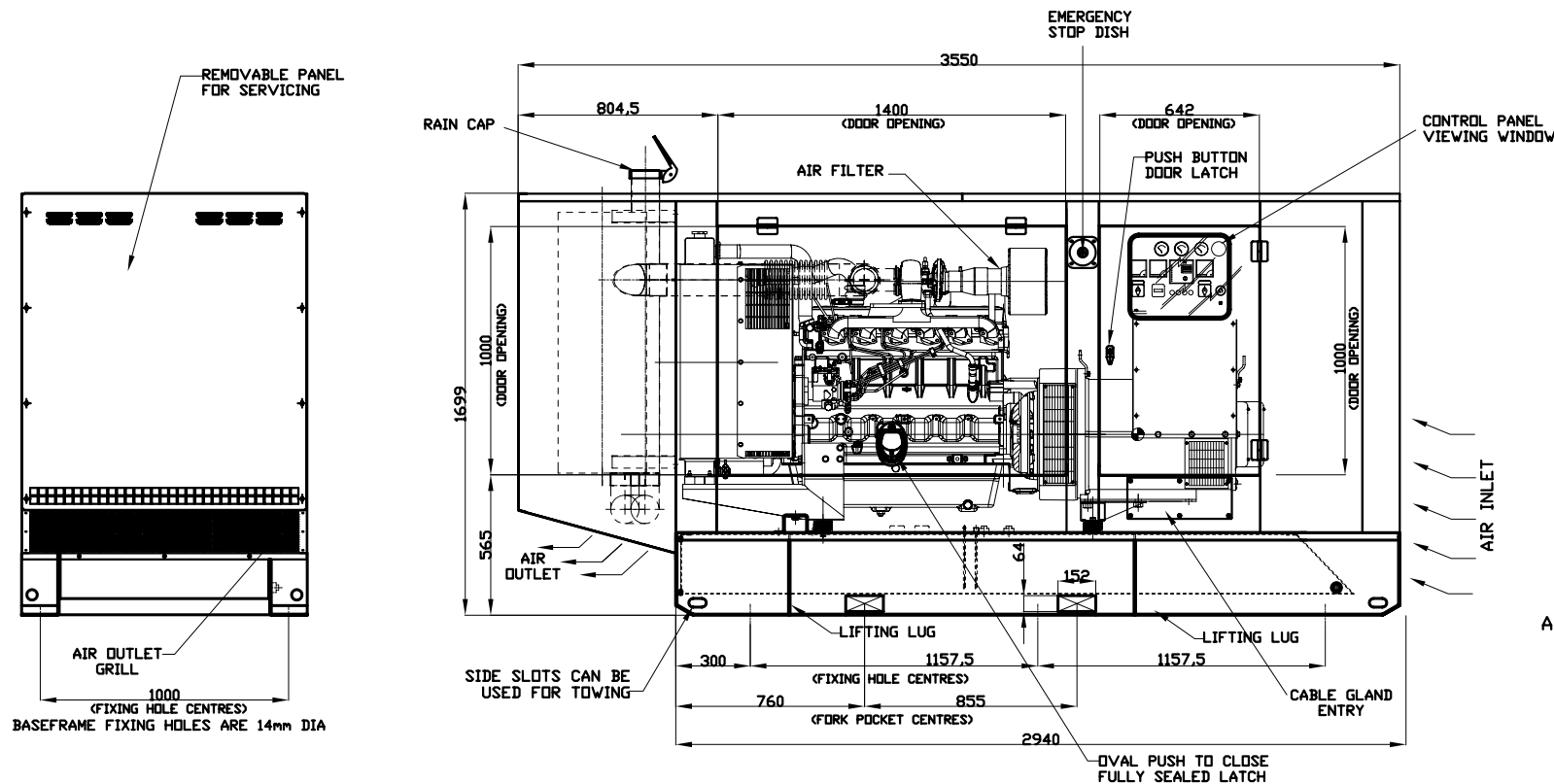
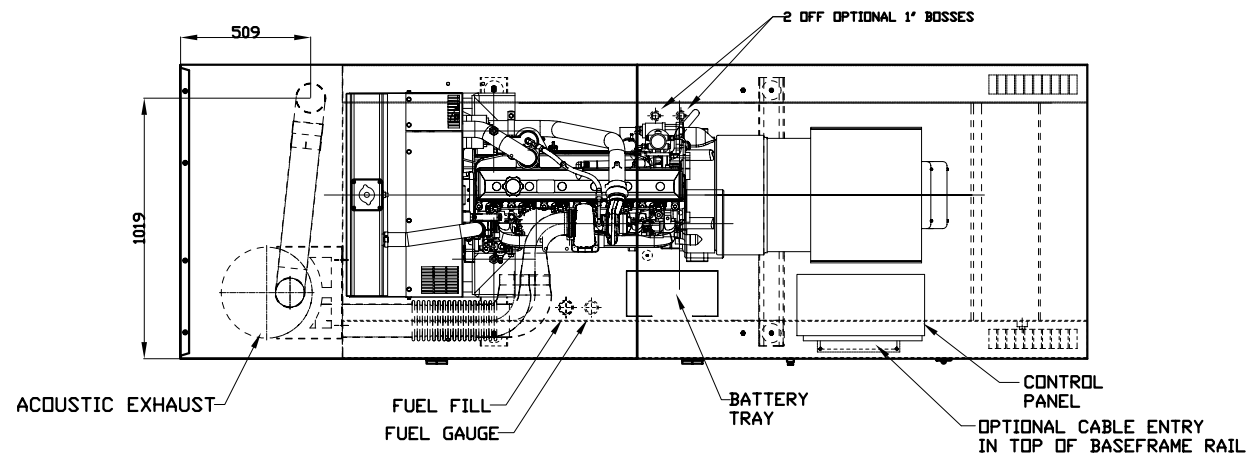
GENERATOR IS TO BE PLACED ON A FLAT FLOOR OR CONCRETE BASE

PLEASE NOTE WEIGHTS MAY VARY DEPENDING ON THE ALTERNATOR COMBINATION.



GeneratorJoe

4016 Quartz Drive
Santa Rosa, CA 95405
Phone: 707 539-9003
Fax: 707 539-5212
Email: sales@generatorjoe.NET
Web www.generatorjoe.NET



ISS	ALTERATIONS	DATE
C	STOP DISH MOVED. REAR AND FRONT PANEL DETAIL ALTERED	20-10-03 P.R
D	EXHAUST DETAIL CHANGED TO REFLECT PRODUCTION DRAWINGS	3-11-03 P.R
E	FUEL CAPACITY CORRECTED, WEIGHTS ADJUSTED.	22-01-04 P.R

NOTES

TOLERANCES:
BETWEEN HOLE CENTRES & HOLE CENTRE TO EDGE (ON FLAT) ± 0.2

HOLE CENTRES TO BEND AND EDGES TO BEND ± 0.5

ACROSS EACH BEND ± 0.5

FABRICATION ± 1.0

HOLE DIAMETERS AND SLOT WIDTHS $+0.1, -0.0$

ANGULAR $\pm 0.5^\circ$

THIRD ANGLE PROJECTION
DO NOT SCALE, IF IN DOUBT ASK

DISTRIBUTION	
MASTER	FABRICATOR
TITLE: JD 6068HFACOUSTIC CANOPY 3	
CLIENT:	
SITE:	
W.O. No.:	ENGINEER: P RUTTER
TYPE: 40P/150P/180P	CHECKED:
SCALE: NTS	DATE:
TOTAL No. OF SHEETS: 1	
DRAWING NO. JGA007	ISSUE E
BROADCROWN	