



GeneratorJoe

4016 Quartz Drive
 Santa Rosa, CA 95405
 Phone: 707 539-9003
 Fax: 707 539-5212
 Email: sales@generatorjoe.NET
 Web www.generatorjoe.NET

FOR INDIVIDUAL GEN-SET MODEL TYPES
 SEE BROADCAST LITERATURE.

ENGINE TYPE: 6090HF
 ALTERNATOR: HCI 444 C, D
 (HCI 444 D ILLUSTRATED)

USEABLE FUEL CAPACITY: 650L

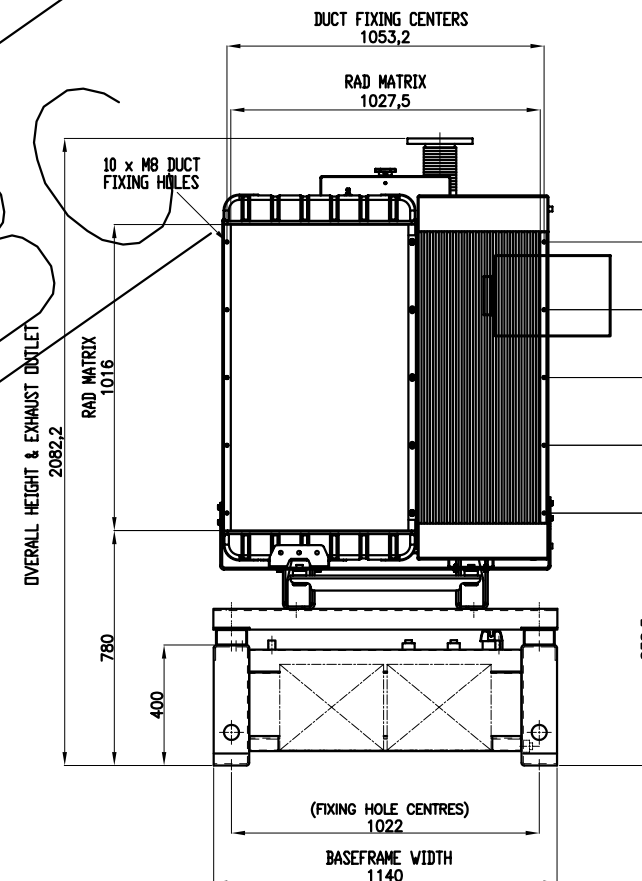
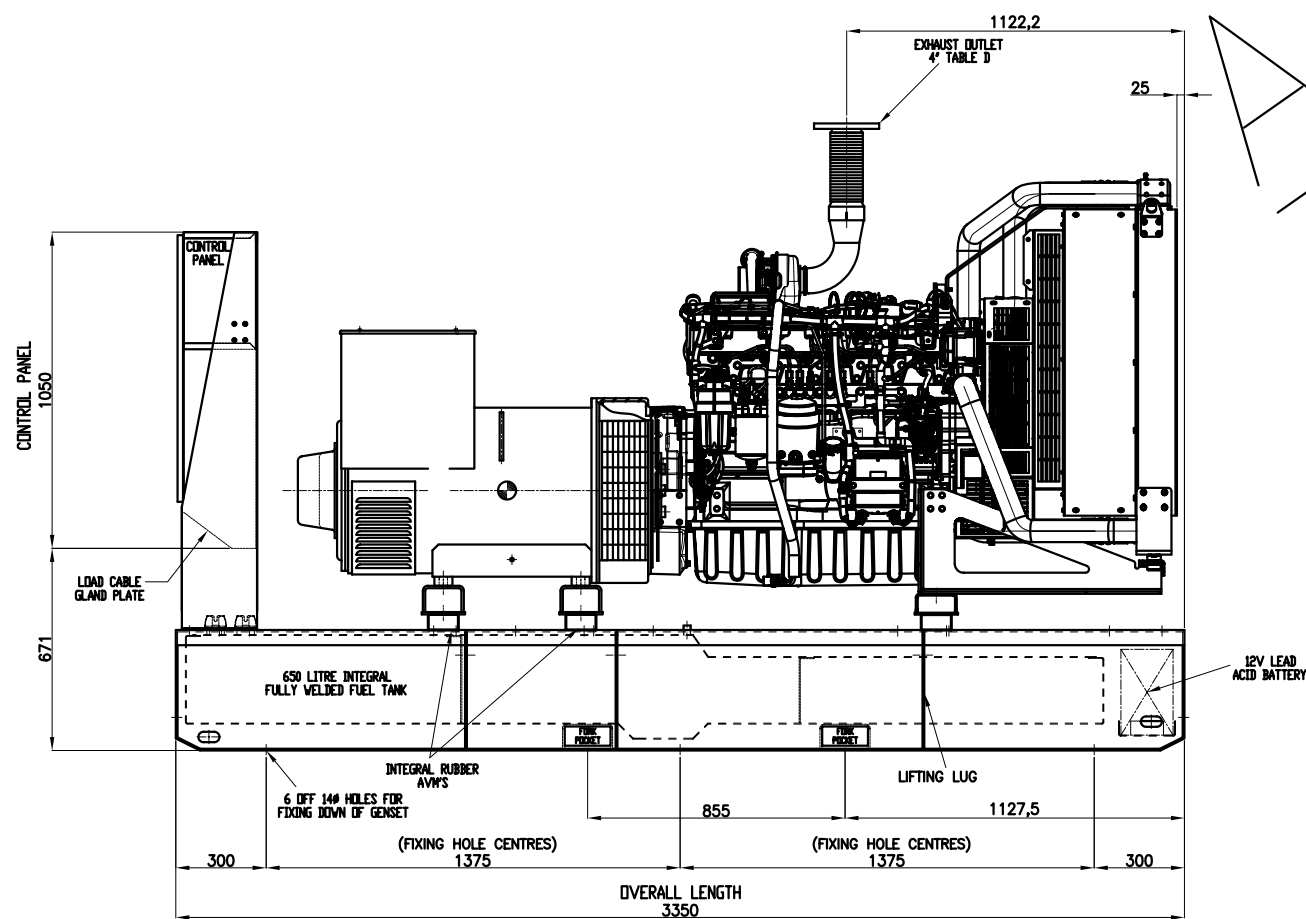
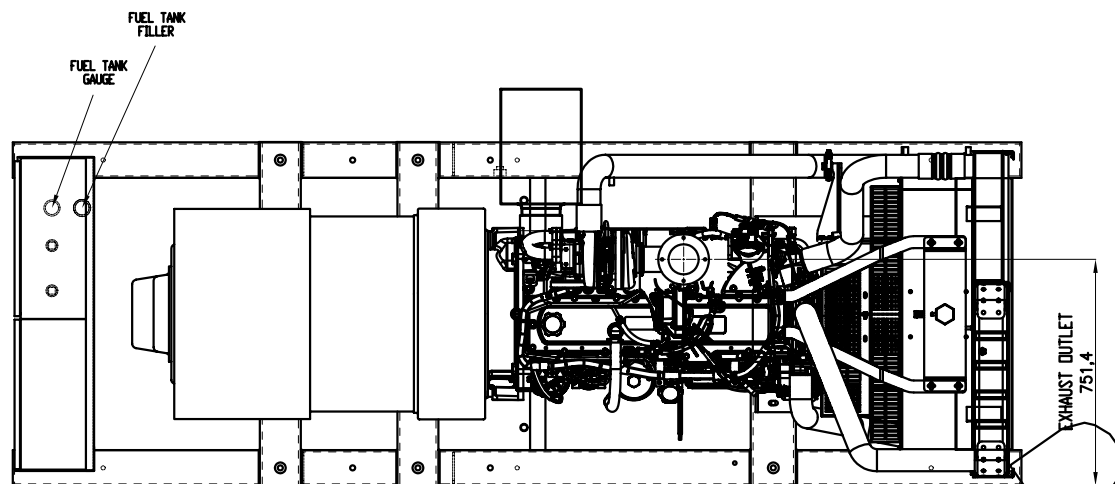
SHIPPING WEIGHT
 (WITH OIL): TBA

WET WEIGHT
 50/50 GLYCOL & FUEL: TBA

OIL CAPACITY: TBA
 COOLING CAPACITY: TBA

GENERATOR IS TO BE PLACED ON A FLAT FLOOR OR
 CONCRETE BASE.

PLEASE NOTE WEIGHTS MAY VARY DEPENDING ON
 ALTERNATOR COMBINATION.



APPROVED FOR GENSET

ISS	ALTERATIONS	DATE

NOTES

TOLERANCES:
 BETWEEN HOLE CENTRES & HOLE
 CENTRE TO EDGE (ON FLAT) ± 0.2

HOLE CENTRES TO BEND AND
 EDGES TO BEND ± 0.5

ACROSS EACH BEND ± 0.5

FABRICATION ± 1.0

HOLE DIAMETERS AND SLOT
 WIDTHS +0.1, -0.0

ANGULAR ± 0.5°

THIRD ANGLE PROJECTION
 DO NOT SCALE, IF IN DOUBT ASK

DISTRIBUTION	
MASTER	FABRICATOR
TITLE: OPEN FRAME 6 GA	
CLIENT:	
SITE:	
W.O. No.:	ENGINEER: P.RUTTER
TYPE: 6090	CHECKED:
SCALE: NTS	DATE:
TOTAL No. OF SHEETS: 1	
DRAWING NO. JGA050	ISSUE A

