

GENSET DETAILS—
 ENGINE: VOLVO TWD1643 GE
 RADIATOR: SUPPLIED WITH ENGINE
 FRONT ENGINE FEET: AVM-R1255BN6
 REAR ENGINE AND ALTERNATOR FEET: AVM-R10055BN7

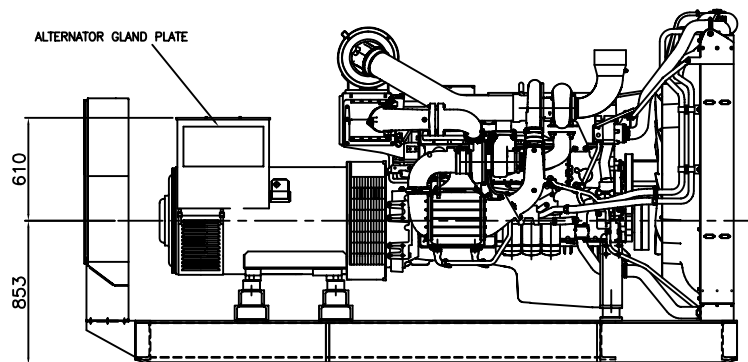
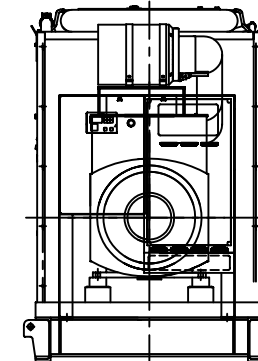
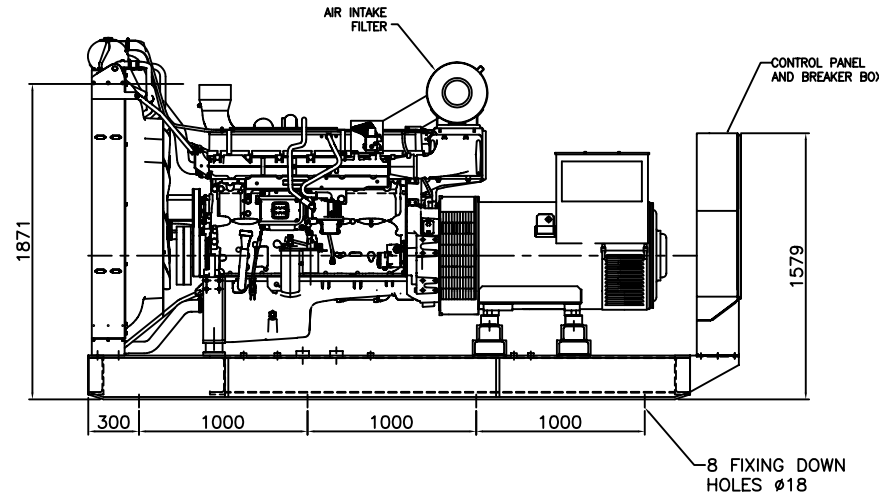
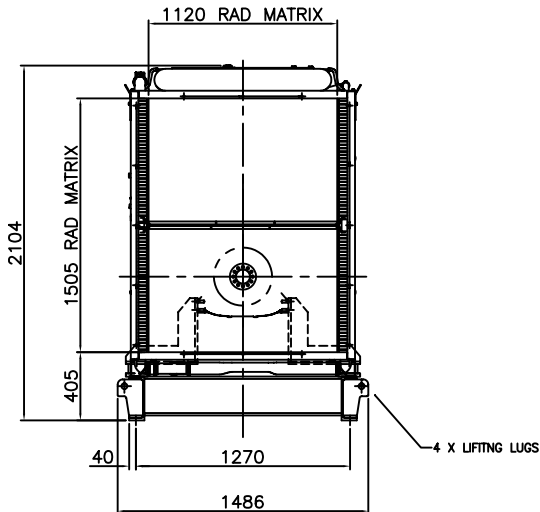
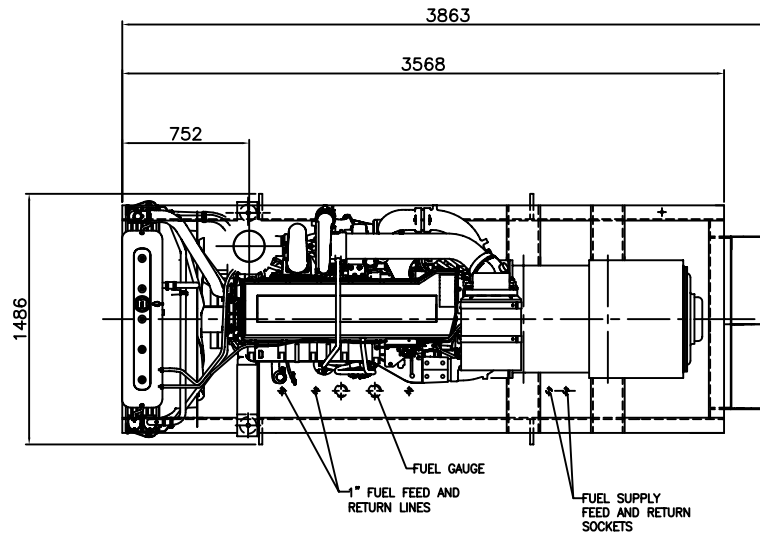
WEIGHTS:—
 ENGINE: 1700 KG DRY, 1770 KG WET
 ALTERNATOR: 1685 KG
 RADIATOR: 500 KG DRY, 600 KG WET

CONTROL PANEL — 32 KG
 BREAKER PANEL — 35 KG
 FUEL TANK — 700 KG WET
 FUEL TANK — 540 LITRES USABLE

COLOURS:—
 ENGINE:— MAIZE YELLOW
 BASEFRAME, ALTERNATOR & RADIATOR:— SEMI GLOSS BLACK



GeneratorJoe



4016 Quartz Drive
 Santa Rosa, CA 95405
 Phone: 707 539-9003
 Fax: 707 539-5212
 Email: sales@generatorjoe.NET
 Web www.generatorjoe.NET

NO. ALTERATIONS CHK. DATE

NOTES - MECHANICAL

TOLERANCES:
 GENERAL TOLERANCE + / - 0.5MM
 FABRICATION + / - 0.5MM
 HOLE CENTRES + / - 0.5MM
 OTHER TOLERANCES AS STATED
 WHERE REQUIRED

DO NOT SCALE IF IN DOUBT ASK
 THIRD ANGLE PROJECTION

TITLE: GENSET GENERAL ARRANGEMENT

CLIENT:

SITE:

W.O. NO. STANDARD ENGINEER: SKM

TYPE: BCV700 DRAWN BY: SKM

SCALE: NTS DATE: 26.04.07

TOTAL NO. OF SHEETS: (1 - 999)

DRAWING NO. ISSUE

BCV700-GA01-A1 A

GENERATORJOE

THIS IS NOT AN OFFICIAL CONTRACT DRAWING — FOR PRELIMINARY USE ONLY.