

FOR INDIVIDUAL GEN-SET MODEL TYPES
SEE BROADCAST LITERATURE.

ENGINE TYPE: TWD 1643 GE
ALTERNATOR: HCI 544
(UCI544E ILLUSTRATED)

FUEL CAPACITY: 1580 LITRES (1480 USEABLE)

SHIPPING WEIGHT
(WITH OIL): TBA Kg's

WET WEIGHT
50/50 GLYCOL & FUEL: TBA Kg's

OIL CAPACITY: 48 LITRES
COOLING CAPACITY: 95 LITRES

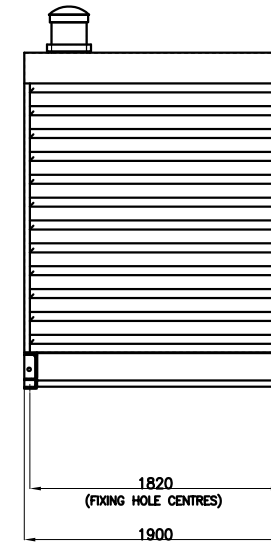
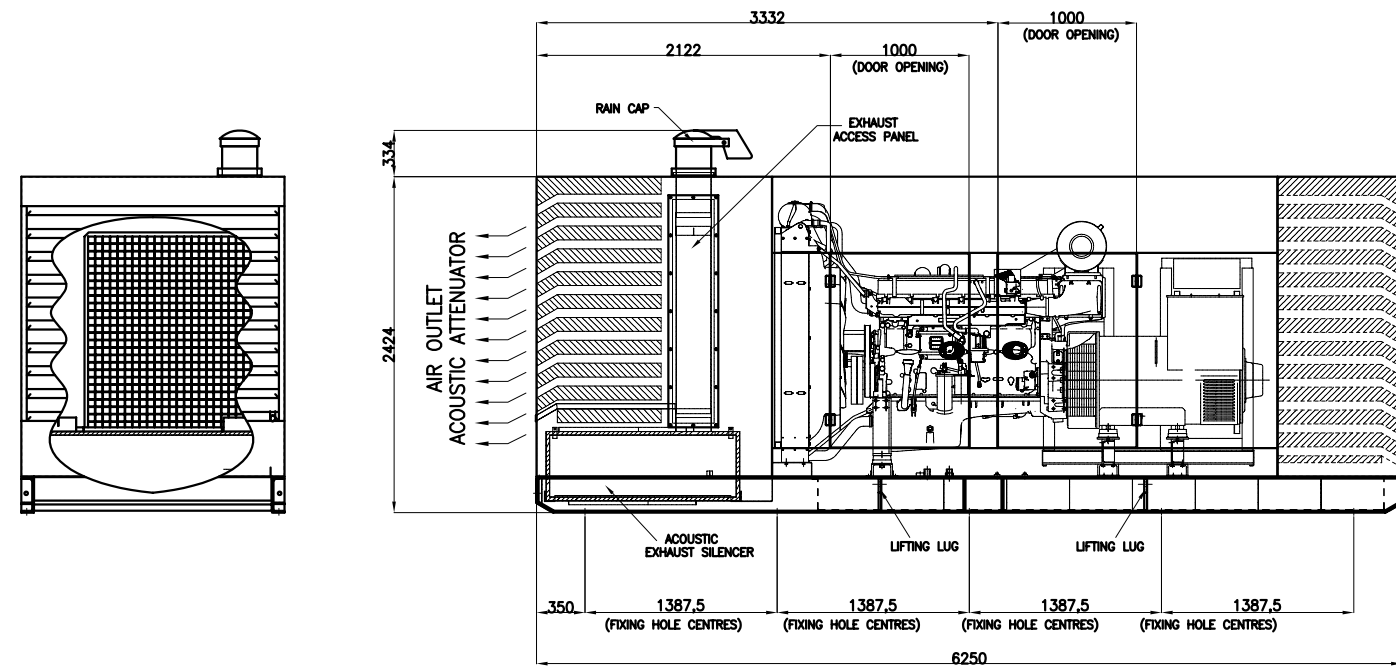
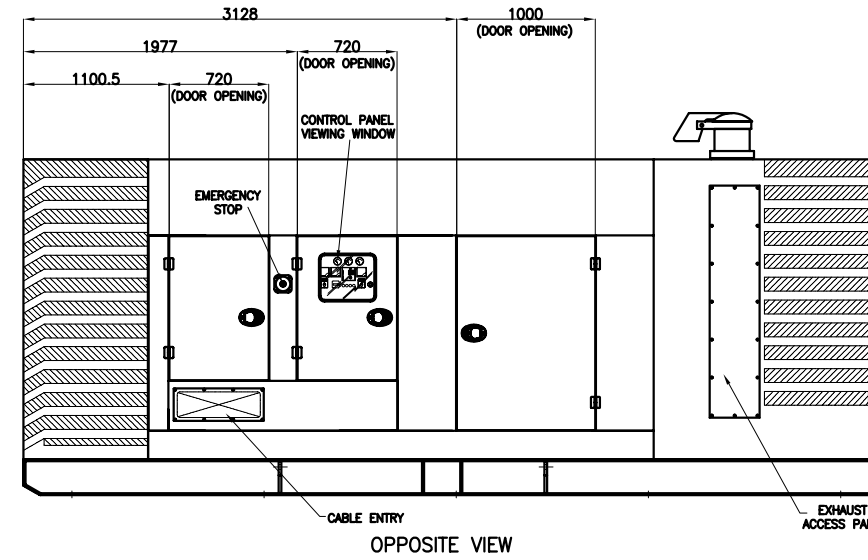
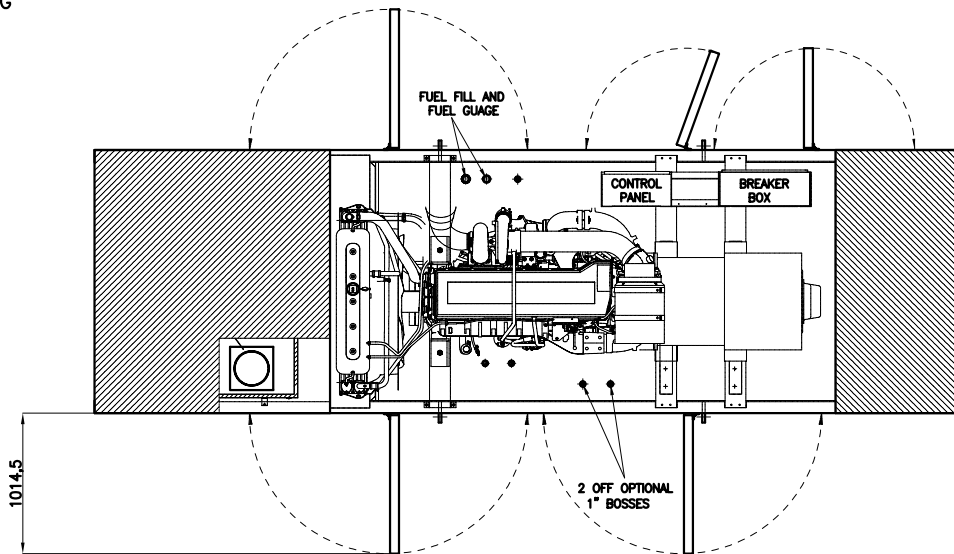
GENERATOR IS TO BE PLACED ON A FLAT
FLOOR OR CONCRETE BASE.

PLEASE NOTE WEIGHTS MAY VARY DEPENDING
ON ALTERNATOR COMBINATION.



GeneratorJoe

4016 Quartz Drive
Santa Rosa, CA 95405
Phone: 707 539-9003
Fax: 707 539-5212
Email: sales@generatorjoe.NET
Web www.generatorjoe.NET



No.	ALTERATIONS	CHK'D	DATE

NOTES - MECHANICAL

TOLERANCES:
GENERAL TOLERANCE + / - 5MM
FABRICATION + / - 3MM
HOLE CENTRES + / - 1MM
OTHER TOLERANCES AS STATED
WHERE REQUIRED



THIRD ANGLE PROJECTION

NOTES - ELECTRICAL

DC CONTROL: VIOLET
DC POWER: POSITIVE BROWN
 NEGATIVE BLUE
AC POWER SINGLE PHASE: LIVE BROWN
 NEUTRAL BLUE
AC POWER THREE PHASE: L1 BROWN
 L2 BLACK, L3 GREY, NEUTRAL BLUE
AC CONTROL: BLACK

TITLE:	CANOPY 7 VOLVO GENERAL ARRANGEMENT		
CLIENT:			
SITE:			
W.O. No.:		ENGINEER:	
TYPE:	TWD 1643 GE	DRAWN BY:	P RUTTER
SCALE:		DATE:	
TOTAL No. OF SHEETS (1 - 999)			
DRAWING NO. VGA007			ISSUE A

BROADCAST