

FOR INDIVIDUAL GEN-SET MODEL TYPES SEE BROADCAST LITERATURE.

ENGINE TYPE: 4024TF
 ALTERNATOR: UCDI 184
 (UCDI 184 F ILLUSTRATED)

SHIPPING WEIGHT
 (WITH OIL): 608 Kg

WET WEIGHT
 50/50 GLYCOL & FUEL: 705 Kg

OIL CAPACITY: 6 LITRES
 COOLING CAPACITY: 14.5 LITRES
 FUEL TANK CAPACITY: 95 LITRES (USEABLE)

GENERATOR IS TO BE PLACED ON A FLAT FLOOR OR CONCRETE BASE

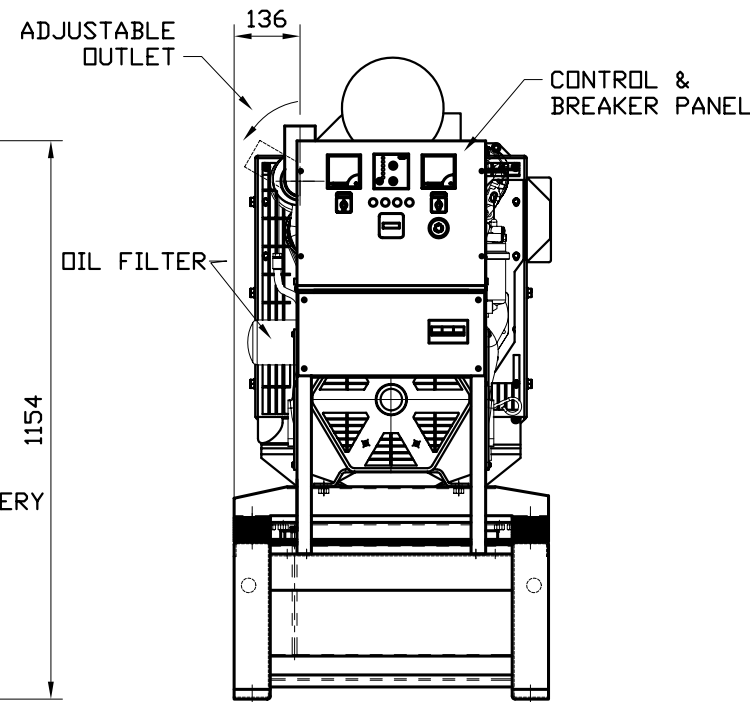
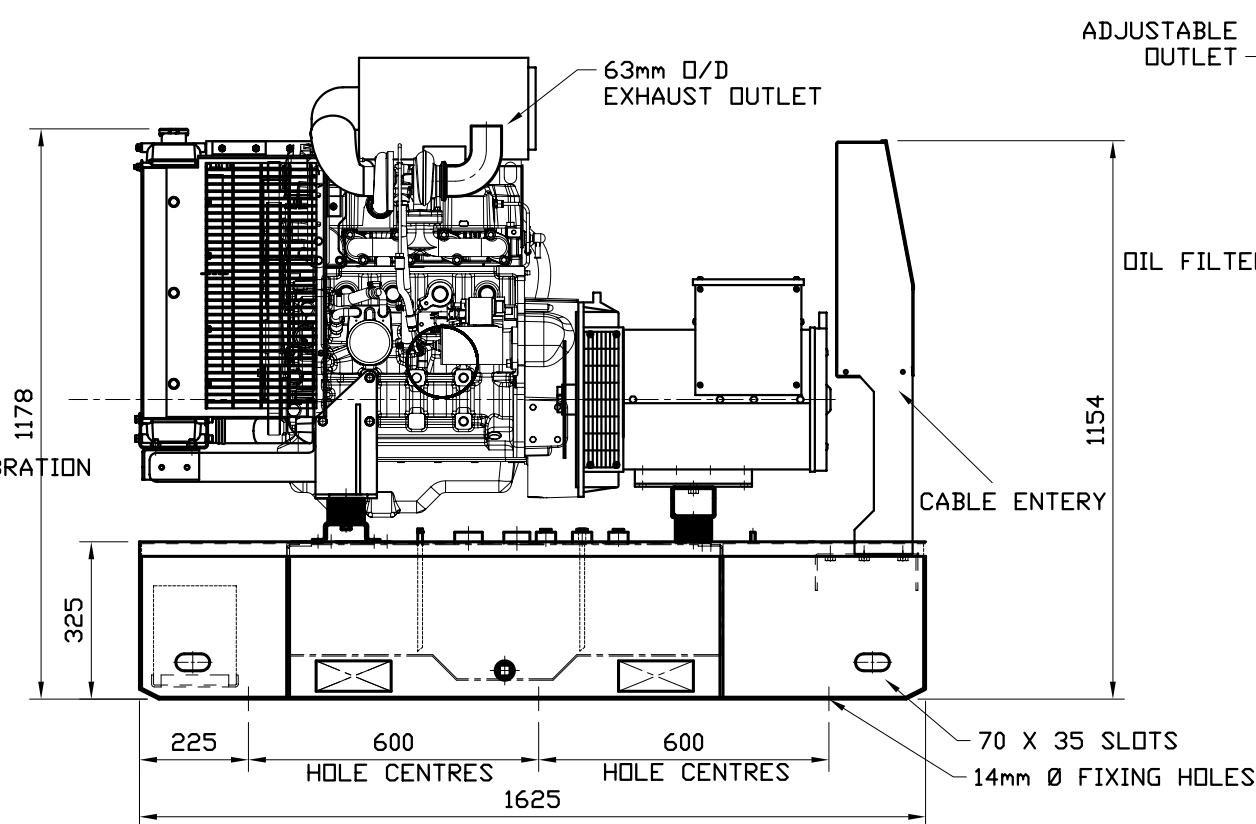
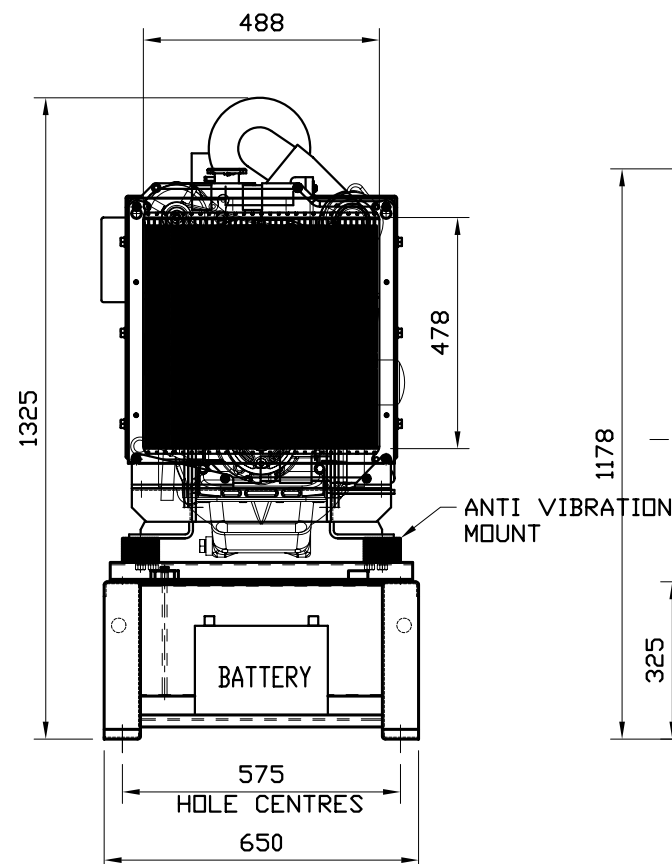
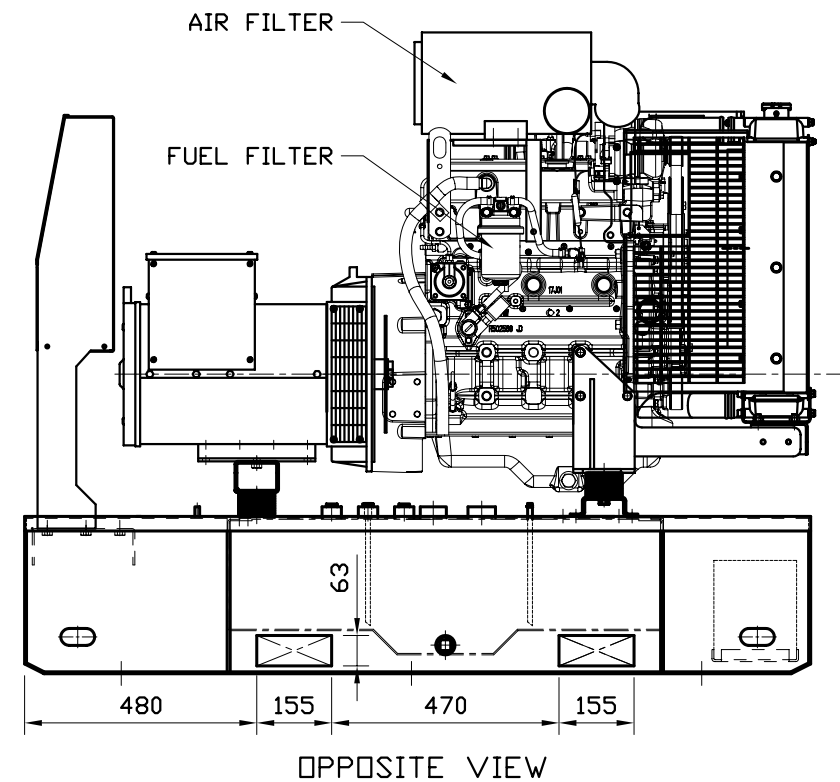
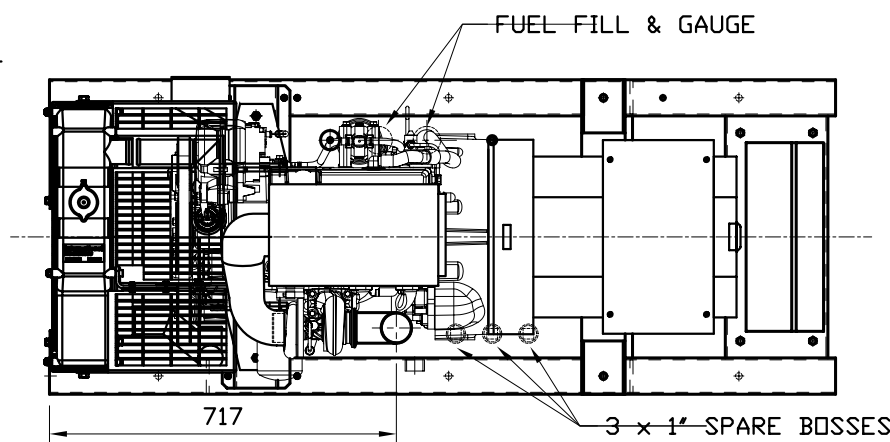
PLEASE NOTE WEIGHTS MAY VARY DEPENDING ON ALTERNATOR COMBINATION

THIS DRAWING IS OF A PROTOTYPE, THE DESIGN MAY VARY SLIGHTLY TO THE FINAL PRODUCTION UNIT.



GeneratorJoe

4016 Quartz Drive
 Santa Rosa, CA 95405
 Phone: 707 539-9003
 Fax: 707 539-5212
 Email: sales@generatorjoe.NET
 Web www.generatorjoe.NET



ISS	ALTERATIONS	DATE

NOTES

TOLERANCES:
 BETWEEN HOLE CENTRES & HOLE CENTRE TO EDGE (ON FLAT) ± 0.2

HOLE CENTRES TO BEND AND EDGES TO BEND ± 0.5

ACROSS EACH BEND ± 0.5

FABRICATION ± 1.0

HOLE DIAMETERS AND SLOT WIDTHS +0.1, -0.0

ANGULAR ± 0.5°

THIRD ANGLE PROJECTION
 DO NOT SCALE, IF IN DOUBT ASK

DISTRIBUTION			
MASTER	FABRICATOR		
TITLE:	4024TF OPEN SET ARRANGEMENT		
CLIENT:	EXPORT STANDARD		
SITE:	N/A		
W.O. No.:	N/A	ENGINEER:	N JONES
TYPE:	4024TF	CHECKED:	
SCALE:	1:16	DATE:	
TOTAL No. OF SHEETS: 1			
DRAWING NO.			ISSUE
JGA025			A
BROADCAST			