

FOR INDIVIDUAL GEN-SET MODEL TYPES  
SEE BROADCAST LITERATURE.

ENGINE TYPE: 4045HF  
ALTERNATOR: UCI 274 C

USABLE FUEL CAPACITY: 225L

SHIPPING WEIGHT  
(WITH OIL): 1670Kg

WET WEIGHT  
50/50 GLYCOL & FUEL: 1890Kg

OIL CAPACITY: 12 LITRES  
COOLING CAPACITY: 25 LITRES

GENERATOR IS TO BE PLACED ON A FLAT  
FLOOR OR CONCRETE BASE

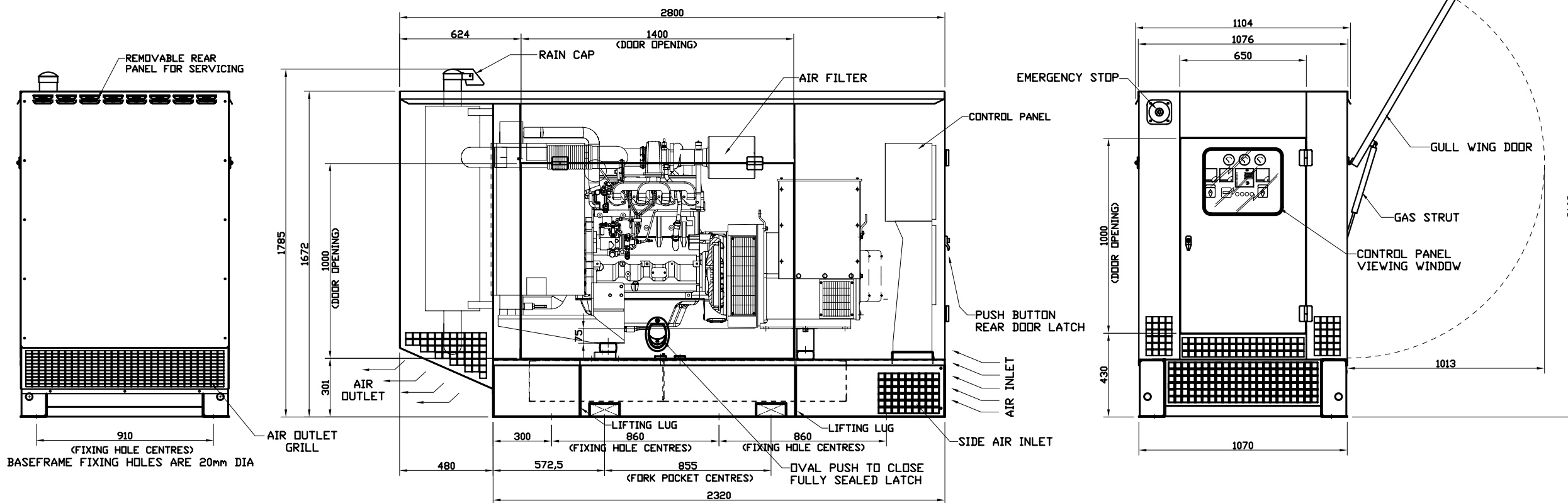
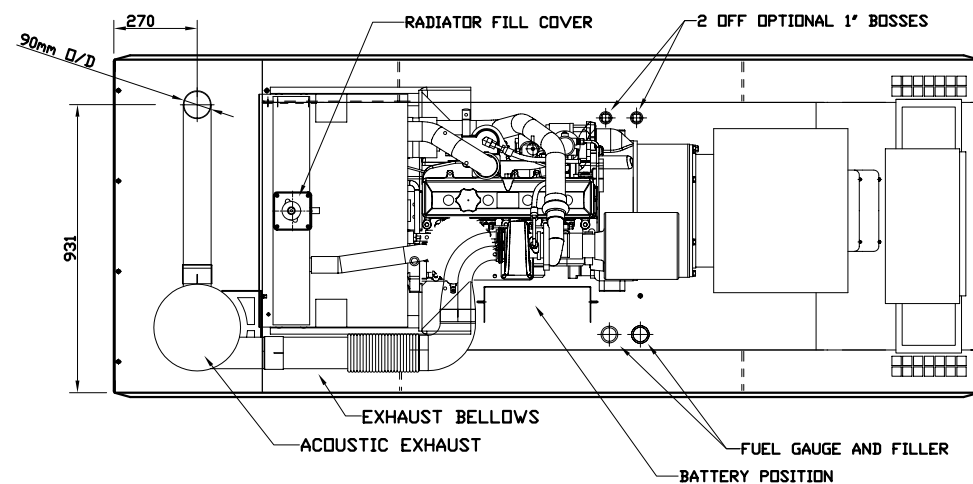
PLEASE NOTE WEIGHTS MAY VARY  
DEPENDING ON ALTERNATOR COMBINATION



**GeneratorJoe**

4016 Quartz Drive  
Santa Rosa, CA 95405  
Phone: 707 539-9003  
Fax: 707 539-5212  
Email: sales@generatorjoe.NET  
Web www.generatorjoe.NET

ISS	ALTERATIONS	DATE
B	EMERGENCY STOP DISH MOVED. MORE DETAIL ADDED.	27-10-03 NJ
C	FUEL CAPACITY CORRECTED, WEIGHTS ADJUSTED	15-01-04 P.R



NOTES

TOLERANCES:  
BETWEEN HOLE CENTRES & HOLE  
CENTRE TO EDGE (ON FLAT) ± 0.2

HOLE CENTRES TO BEND AND  
EDGES TO BEND ± 0.5

ACROSS EACH BEND ± 0.5

FABRICATION ± 1.0

HOLE DIAMETERS AND SLOT  
WIDTHS +0.1, -0.0

ANGULAR ± 0.5°



THIRD ANGLE PROJECTION  
DO NOT SCALE, IF IN DOUBT ASK

DISTRIBUTION

MASTER FABRICATOR

TITLE:	JD 4045HF ACOUSTIC CANOPY 2		
CLIENT:			
SITE:			
W.O. No.:	ENGINEER:	N JONES	
TYPE:	100P	CHECKED:	
SCALE:	NTS	DATE:	

TOTAL No. OF SHEETS: 1

DRAWING NO. JGA005

ISSUE C

**BROADCAST**