

FOR INDIVIDUAL GEN-SET MODEL TYPES SEE BROADCAST LITERATURE.

ENGINE TYPE: 6068TF
ALTERNATOR: UCDI 274

USABLE FUEL CAPACITY: 275 LITRES

SHIPPING WEIGHT
(WITH OIL): 1385 Kg's

WET WEIGHT
50/50 GLYCOL & FUEL: 1675 Kg's

OIL CAPACITY: 19 LITRES
COOLING CAPACITY: 26.0 LITRES

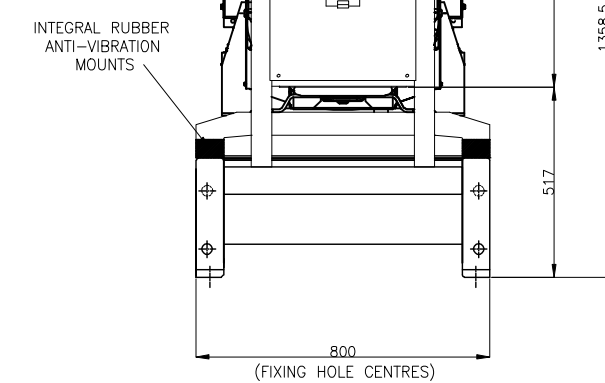
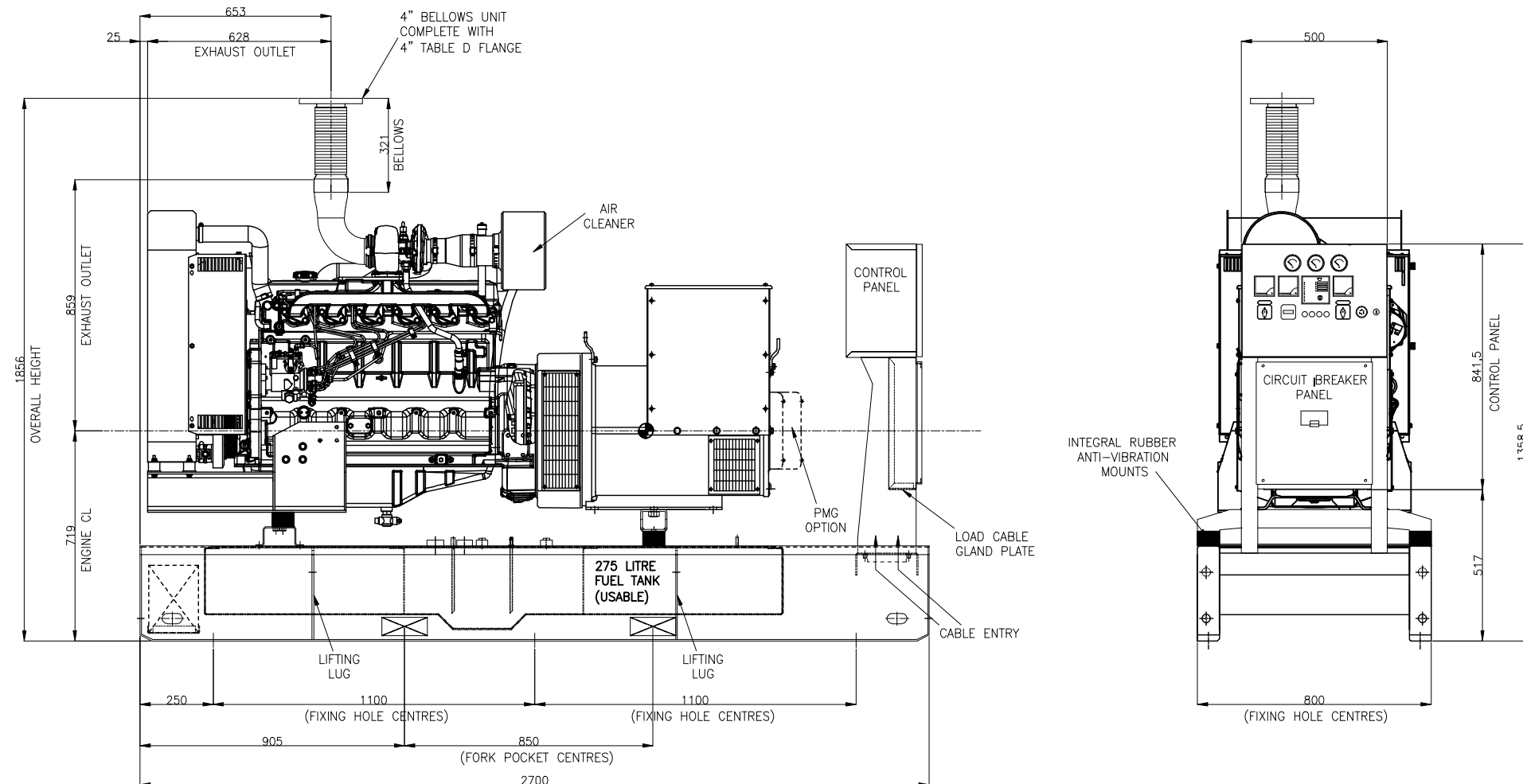
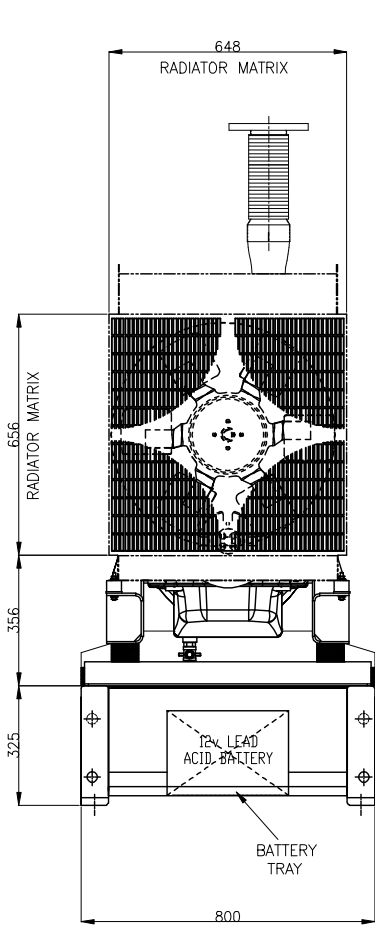
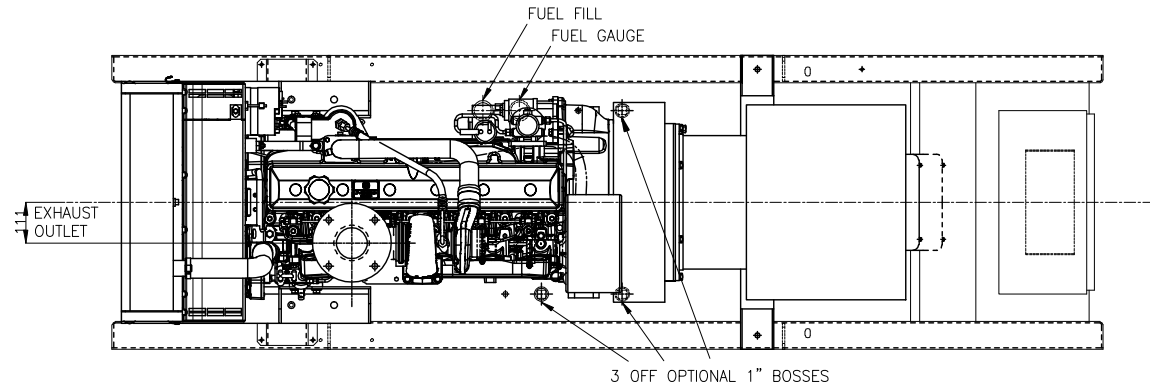
GENERATOR IS TO BE PLACED ON
A FLAT FLOOR OR CONCRETE BASE

PLEASE NOTE WEIGHTS MAY VARY
DEPENDING ON ALTERNATOR COMBINATION



GeneratorJoe

4016 Quartz Drive
Santa Rosa, CA 95405
Phone: 707 539-9003
Fax: 707 539-5212
Email: sales@generatorjoe.NET
Web www.generatorjoe.NET



ISS	ALTERATIONS	DATE
B	EXHAUST OUTLET DETAIL AND POSITION CHANGED. CABLE ENTRY DETAIL ADDED.	05-10-07 P.R

NOTES

TOLERANCES:
BETWEEN HOLE CENTRES & HOLE CENTRE TO EDGE (ON FLAT) ± 0.2

HOLE CENTRES TO BEND AND EDGES TO BEND ± 0.5

ACROSS EACH BEND ± 0.5

FABRICATION ± 1.0

HOLE DIAMETERS AND SLOT WIDTHS $+0.1, -0.0$

ANGULAR $\pm 0.5^\circ$



THIRD ANGLE PROJECTION
DO NOT SCALE, IF IN DOUBT ASK

DISTRIBUTION

MASTER	FABRICATOR
--------	------------

TITLE:	OPEN FRAME 4-6068TF GA	
CLIENT:		
SITE:		
W.O. No.:	ENGINEER: P.RUTTER	
TYPE:	CHECKED:	
SCALE:	1:20	DATE:

TOTAL No. OF SHEETS: 1

DRAWING NO.	JGA033	ISSUE	B
-------------	--------	-------	---

BROADCAST