

FOR INDIVIDUAL GEN-SET MODEL TYPES SEE BROADCAST CROWN LITERATURE.

ENGINE TYPE: 6068 TF
ALTERNATOR: UCI274
(UCI274E ILLUSTRATED)

USABLE FUEL CAPACITY: 450L

SHIPPING WEIGHT
(WITH OIL): 1986 Kg

WET WEIGHT
50/50 GLYCOL & FUEL: 2400 Kg

OIL CAPACITY: 19 LITRES
COOLING CAPACITY: 26 LITRES

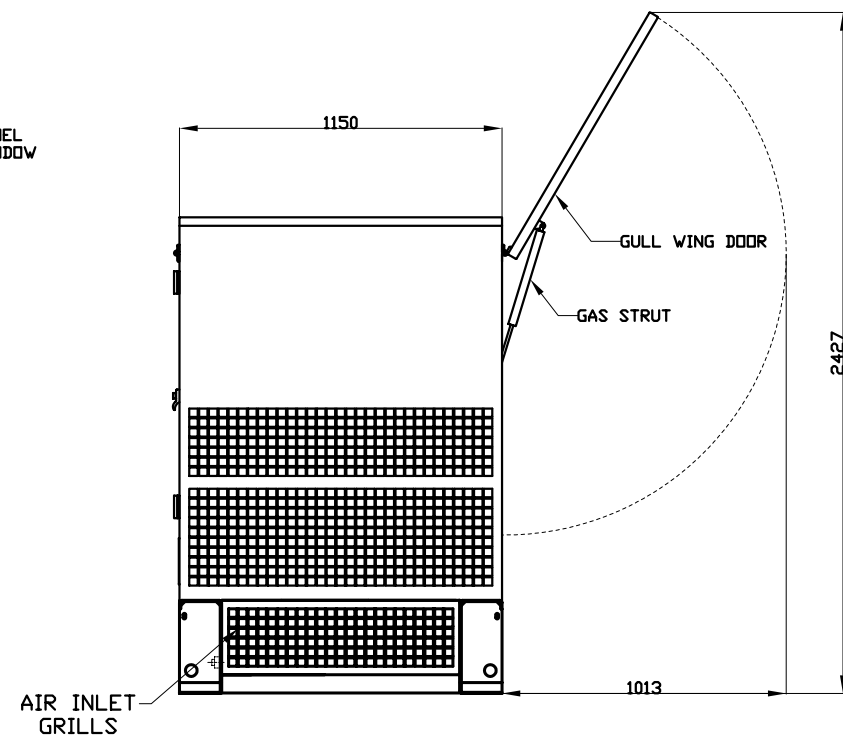
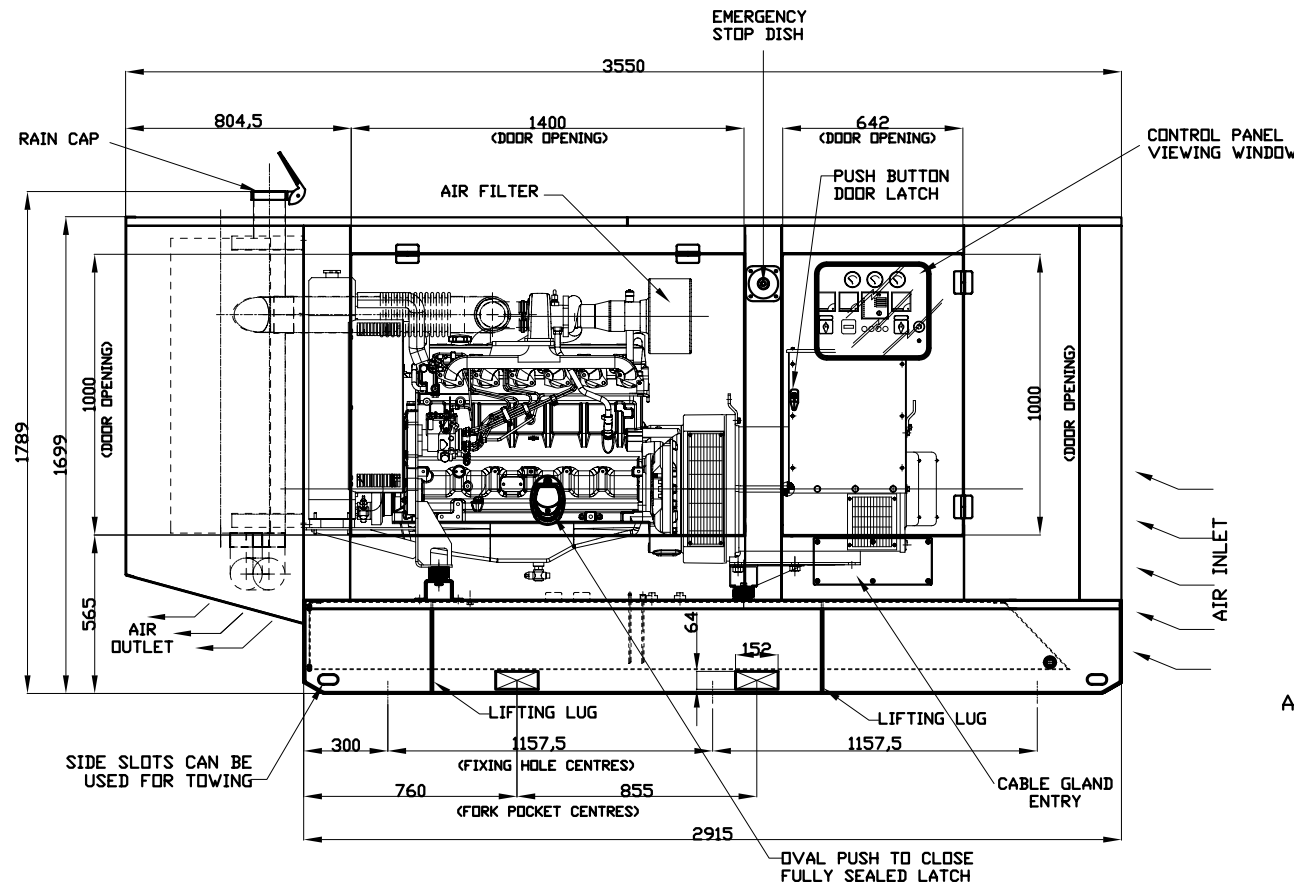
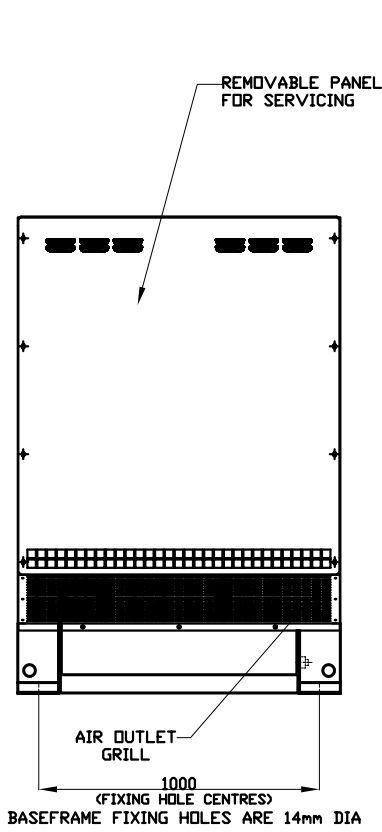
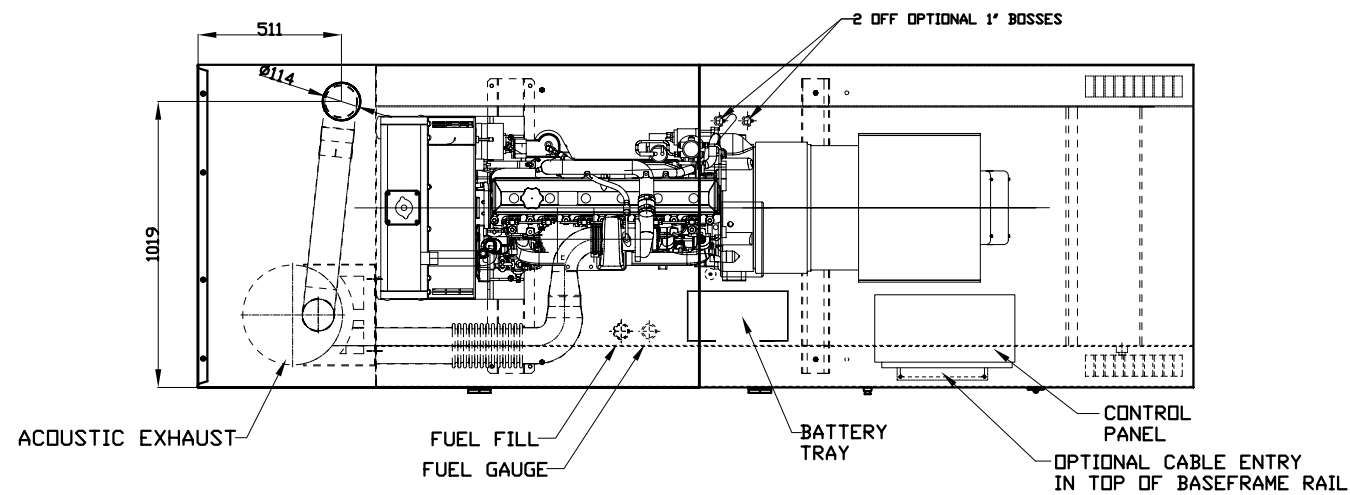
GENERATOR IS TO BE PLACED ON A FLAT FLOOR OR CONCRETE BASE.

PLEASE NOTE WEIGHTS MAY VARY DEPENDING ON ALTERNATOR COMBINATION.



GeneratorJoe

4016 Quartz Drive
Santa Rosa, CA 95405
Phone: 707 539-9003
Fax: 707 539-5212
Email: sales@generatorjoe.NET
Web www.generatorjoe.NET



ISS	ALTERATIONS	DATE
C	STOP DISH MOVED. REAR AND FRONT PANEL DETAIL ALTERED	20-10-03 P.R
D	EXHAUST DETAIL CHANGED TO REFLECT PRODUCTION DRAWINGS	3-11-03 P.R
E	FUEL CAPACITY CORRECTED, WEIGHTS ALTERED.	22-01-04 P.R

NOTES

TOLERANCES:
BETWEEN HOLE CENTRES & HOLE CENTRE TO EDGE (ON FLAT) ± 0.2

HOLE CENTRES TO BEND AND EDGES TO BEND ± 0.5

ACROSS EACH BEND ± 0.5

FABRICATION ± 1.0

HOLE DIAMETERS AND SLOT WIDTHS +0.1, -0.0

ANGULAR ± 0.5°

THIRD ANGLE PROJECTION
DO NOT SCALE, IF IN DOUBT ASK

DISTRIBUTION	
MASTER	FABRICATOR
TITLE:	JD 6068TF ACOUSTIC CANOPY 3
CLIENT:	
SITE:	
W.O. No.:	ENGINEER: P RUTTER
TYPE:	CHECKED:
SCALE:	DATE:
TOTAL No. OF SHEETS: 1	
DRAWING NO.	ISSUE
JGA006	E
BROADCAST CROWN	

A
B
C
D
E
F
G
H
I

1 2 3 4 5 6 7 8