

GENSET DETAILS-



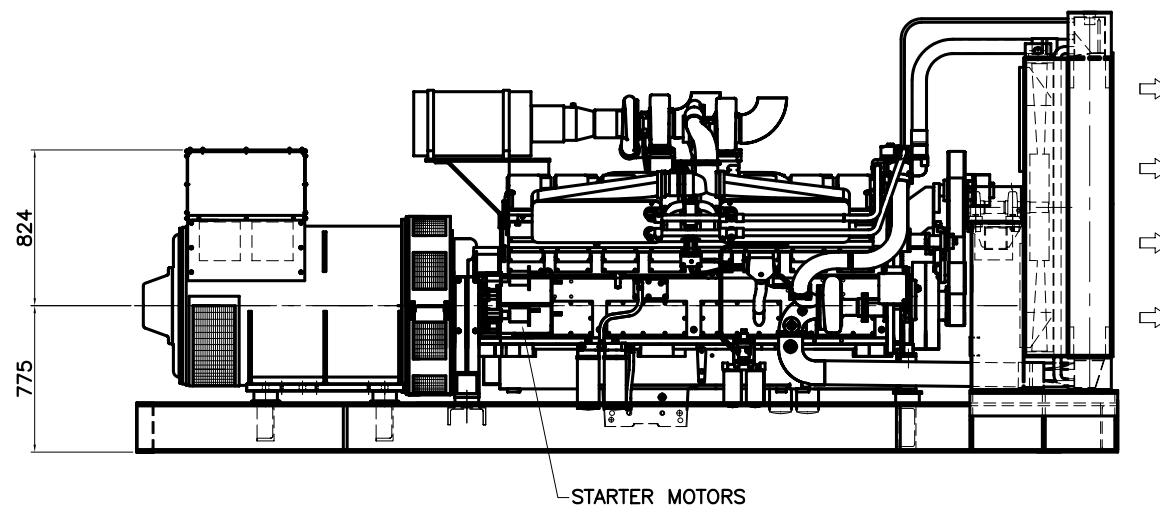
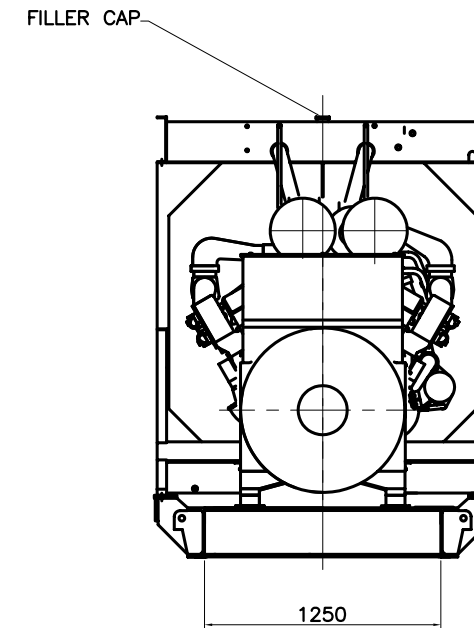
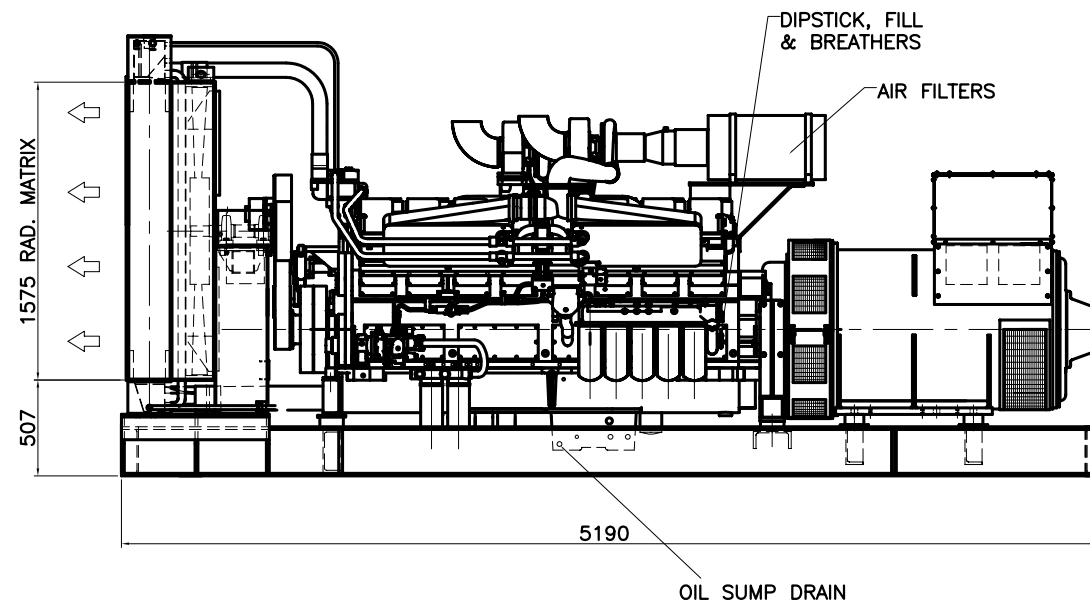
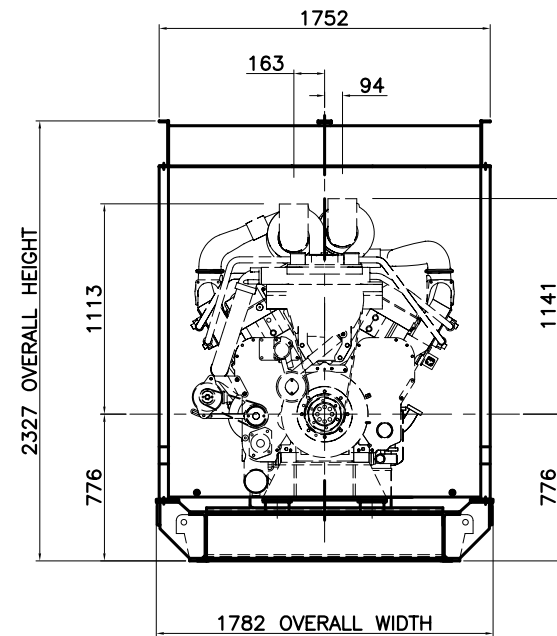
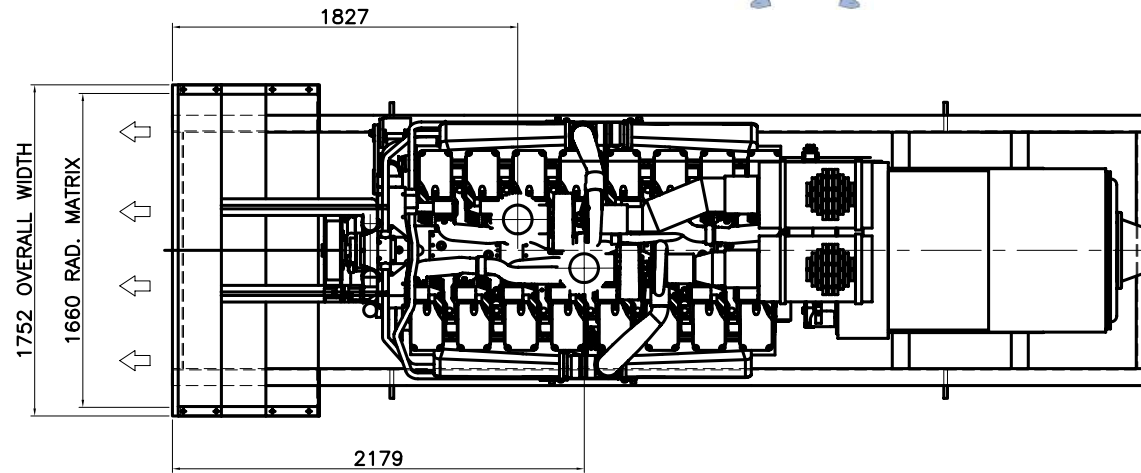
GeneratorJoe

4016 Quartz Drive
 Santa Rosa, CA 95405
 Phone: 707 539-9003
 Fax: 707 539-5212
 Email: sales@generatorjoe.NET
 Web www.generatorjoe.NET

FRONT ENGINE FEET: AVM-R112555BN7
 REAR ENGINE AND ALTERNATOR FEET: AVM-R12555BN6

WEIGHTS:-
 ENGINE: 5360 KG DRY, 5660 KG WET
 ALTERNATOR: 2760 KG
 RADIATOR: 680 KG DRY, 841 KG WET

COLOURS:-
 ENGINE:- MAIZE YELLOW
 BASEFRAME, ALTERNATOR & RADIATOR:- SEMI GLOSS BLACK



No.	ALTERATIONS	CHK'D	DATE
-----	-------------	-------	------

NOTES - MECHANICAL

TOLERANCES:
 GENERAL TOLERANCE + / - 5mm
 FABRICATION + / - 3mm
 HOLE CENTRES + / - 1mm
 OTHER TOLERANCES AS STATED WHERE REQUIRED

DO NOT SCALE IF IN DOUBT ASK
 THIRD ANGLE PROJECTION

NOTES - ELECTRICAL

CABLE SIZE: 1.5MM UNLESS OTHERWISE STATED

CABLE COLOURS
 DC CONTROL: VIOLET
 DC POWER: POSITIVE BROWN, NEGATIVE BLUE
 AC POWER SINGLE PHASE: LIVE BROWN, NEUTRAL BLUE
 AC POWER THREE PHASE: L1 BROWN, L2 BLACK, L3 GREY, NEUTRAL BLUE
 AC CONTROL: BLACK

TITLE: GEN-SET GENERAL ARRANGEMENT	
CLIENT:	
SITE:	
W.O. No.:	ENGINEER: SKM
TYPE: BCC1250P/1400S	DRAWN BY: SKM
SCALE: NTS	DATE: 24.11.05
TOTAL No. OF SHEETS (1 - 999)	
DRAWING NO.	ISSUE
BCC1250P MASTER	A



THIS IS NOT AN OFFICIAL CONTRACT DRAWING - FOR PRELIMINARY USE ONLY.