

GENSET DETAILS-

FRONT ENGINE FEET: AVM-R11255BN7
 REAR ENGINE AND ALTERNATOR FEET: AVM-R10055BN6

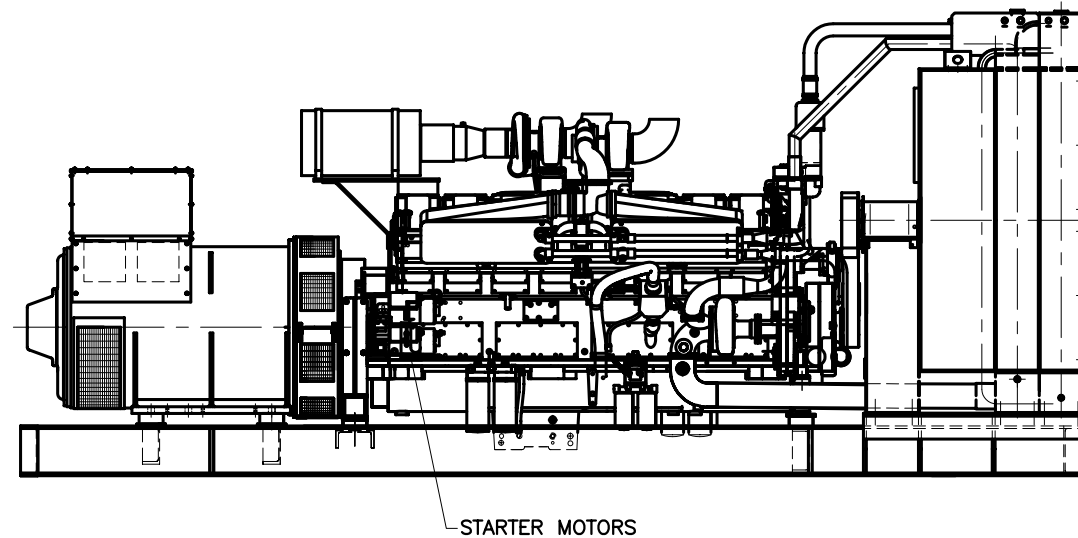
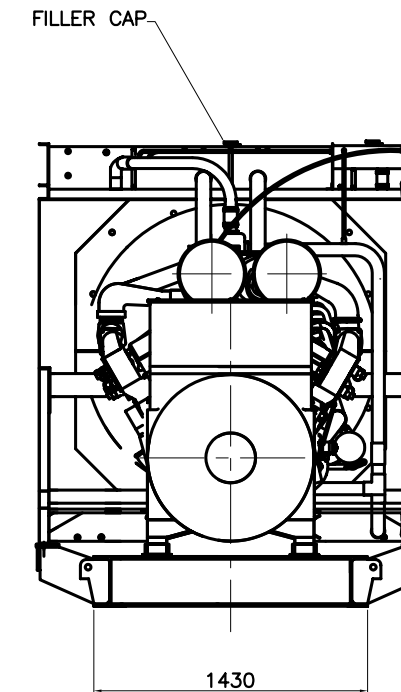
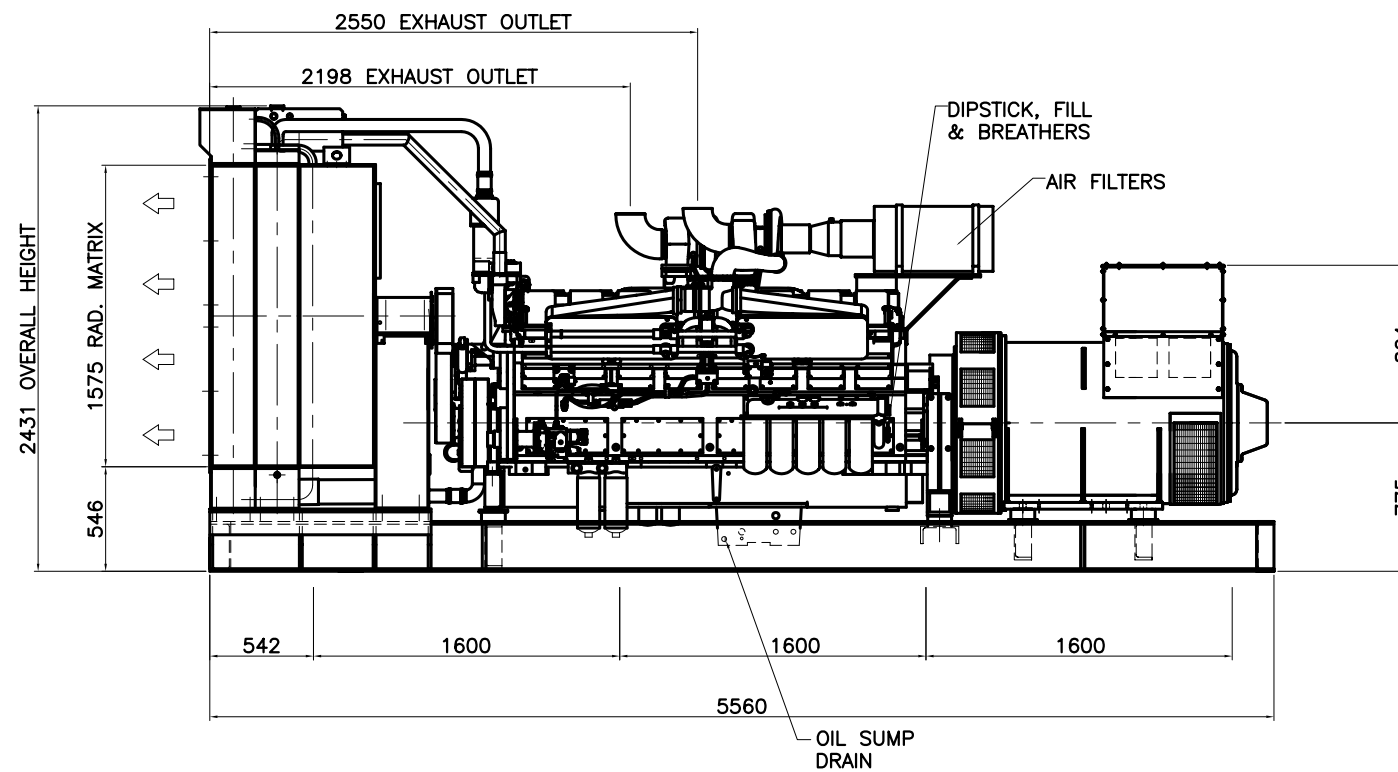
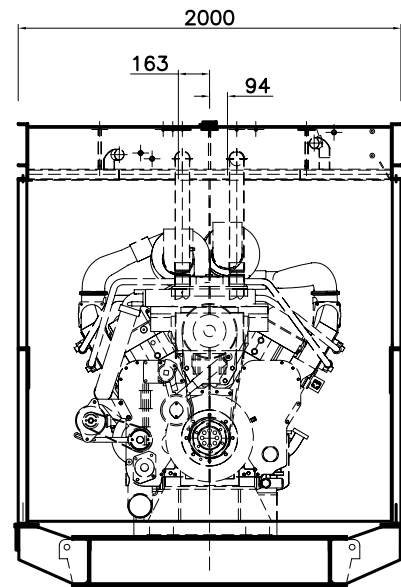
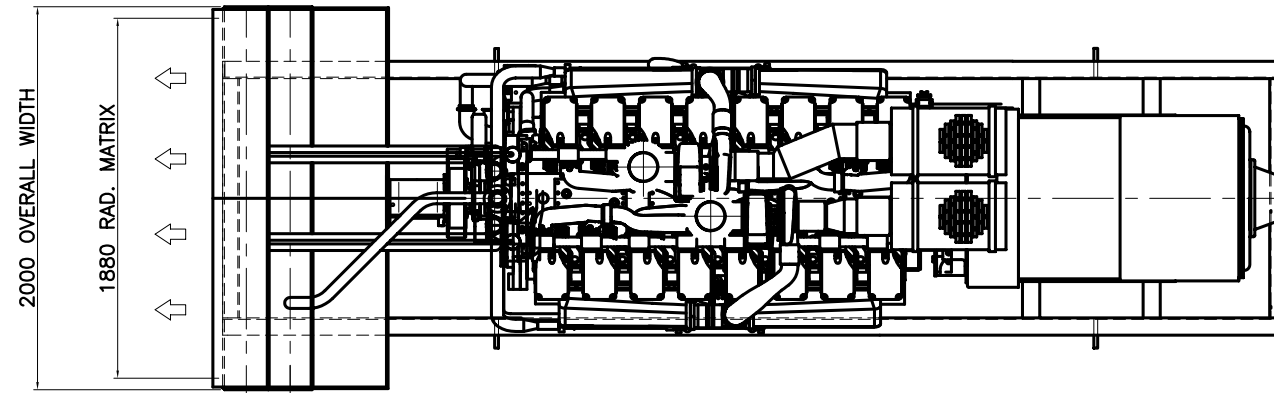
WEIGHTS:-
 ENGINE: 5360 KG DRY, 5662 KG WET
 ALTERNATOR: 3018 KG
 RADIATOR: 950 KG DRY, 1190 KG WET

COLOURS:-
 ENGINE:- MAIZE YELLOW
 BASEFRAME, ALTERNATOR & RADIATOR:- SEMI GLOSS BLACK

GeneratorJoe



4016 Quartz Drive
 Santa Rosa, CA 95405
 Phone: 707 539-9003
 Fax: 707 539-5212
 Email: sales@generatorjoe.NET
 Web www.generatorjoe.NET



No.	ALTERATIONS	CHK'D DATE
-----	-------------	------------

NOTES - MECHANICAL

TOLERANCES:
 GENERAL TOLERANCE + / - 5MM
 FABRICATION + / - 3MM
 HOLE CENTRES + / - 1MM
 OTHER TOLERANCES AS STATED
 WHERE REQUIRED

DO NOT SCALE
 IF IN DOUBT ASK
 THIRD ANGLE PROJECTION

NOTES - ELECTRICAL

CABLE SIZE: 1.5MM
 UNLESS OTHERWISE STATED
 CABLE COLOURS
 DC CONTROL: VIOLET
 DC POWER: POSITIVE BROWN
 NEGATIVE BLUE
 AC POWER SINGLE PHASE: LIVE BROWN
 NEUTRAL BLUE
 AC POWER THREE PHASE: L1 BROWN
 L2 BLACK, L3 GREY, NEUTRAL BLUE
 AC CONTROL: BLACK

TITLE: GEN-SET GENERAL ARRANGEMENT

CLIENT:

SITE:

W.O. No.:	STANDARD	ENGINEER:	SKM
-----------	----------	-----------	-----

TYPE:	BCC1500P/1660S	DRAWN BY:	SKM
-------	----------------	-----------	-----

SCALE:	NTS	DATE:	24.11.05
--------	-----	-------	----------

TOTAL No. OF SHEETS (1 - 999)	1
-------------------------------	---

DRAWING NO.	ISSUE
-------------	-------

BCC1500P MASTER	A
-----------------	---

BROADCROWN

THIS IS NOT AN OFFICIAL CONTRACT DRAWING - FOR PRELIMINARY USE ONLY.