

FOR INDIVIDUAL GEN-SET MODEL TYPES SEE BROADCROWN LITERATURE.

ENGINE TYPE: 6068HF
ALTERNATOR: UCDI 274

USABLE FUEL CAPACITY: 275 LITRES

SHIPPING WEIGHT
(WITH OIL): 1485-1530 Kg's

WET WEIGHT
50/50 GLYCOL & FUEL: 1766-1811 Kg's

OIL CAPACITY: 19 LITRES
COOLING CAPACITY: 26.0 LITRES

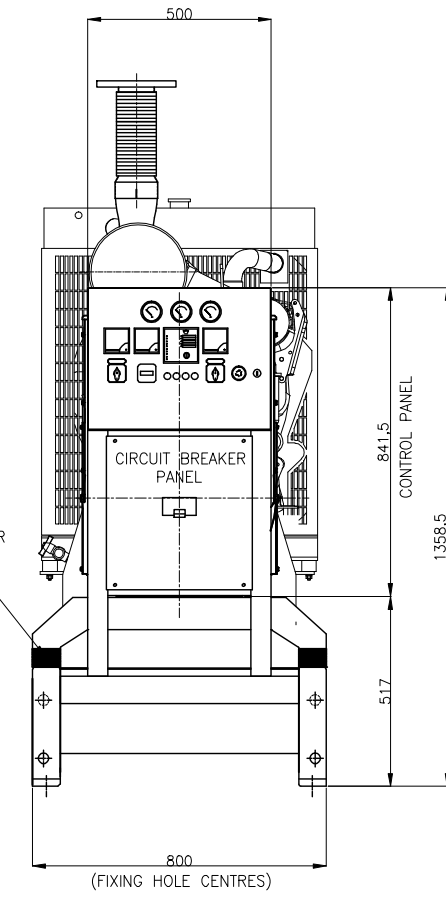
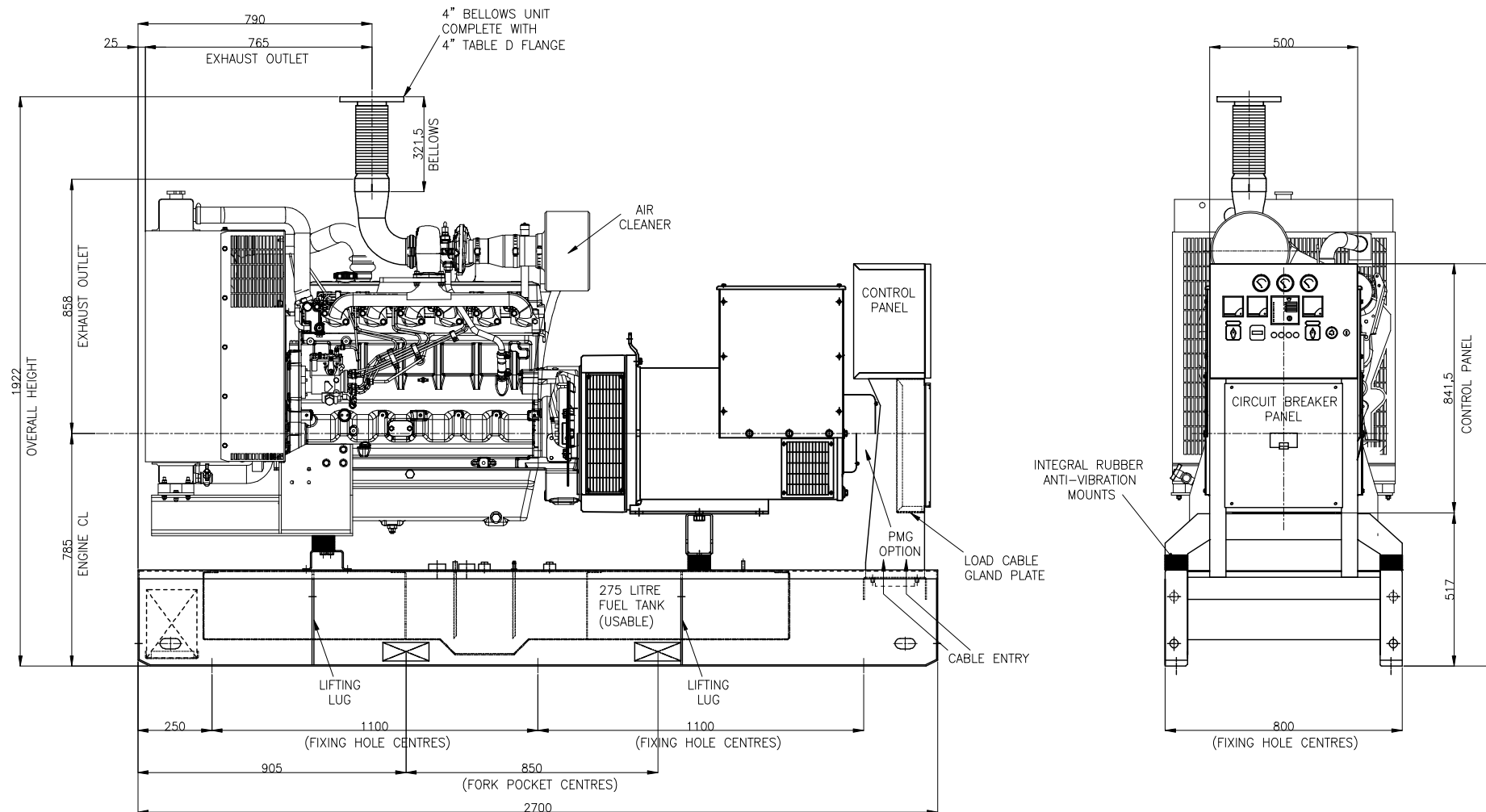
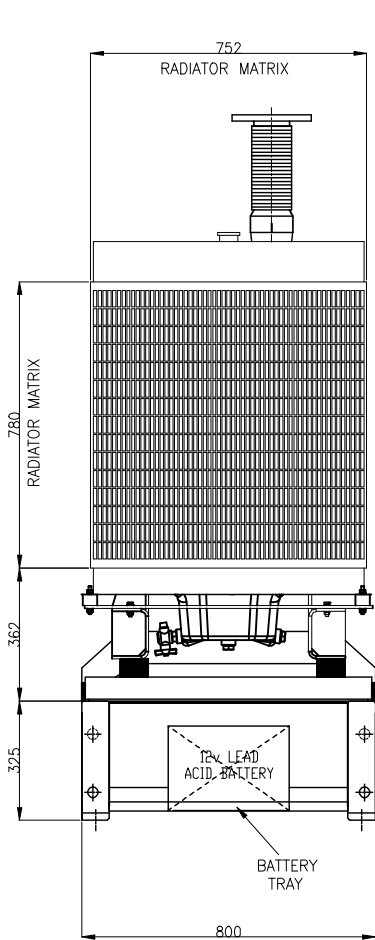
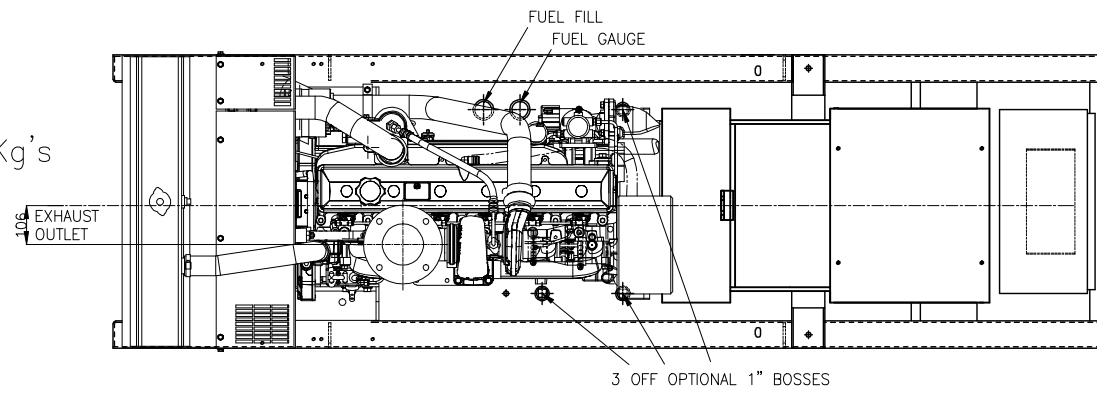
GENERATOR IS TO BE PLACED ON A FLAT FLOOR OR CONCRETE BASE

PLEASE NOTE WEIGHTS MAY VARY DEPENDING ON ALTERNATOR COMBINATION



GeneratorJoe

4016 Quartz Drive
Santa Rosa, CA 95405
Phone: 707 539-9003
Fax: 707 539-5212
Email: sales@generatorjoe.NET
Web www.generatorjoe.NET



ISS	ALTERATIONS	DATE
B	EXHAUST OUTLET DETAIL AND POSITION CHANGED. CABLE ENTRY DETAIL ADDED.	05-10-07 P.R

NOTES

TOLERANCES:
BETWEEN HOLE CENTRES & HOLE CENTRE TO EDGE (ON FLAT) ± 0.2

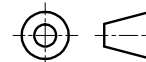
HOLE CENTRES TO BEND AND EDGES TO BEND ± 0.5

ACROSS EACH BEND ± 0.5

FABRICATION ± 1.0

HOLE DIAMETERS AND SLOT WIDTHS $+0.1, -0.0$

ANGULAR $\pm 0.5^\circ$



THIRD ANGLE PROJECTION
DO NOT SCALE, IF IN DOUBT ASK

DISTRIBUTION

MASTER	FABRICATOR
--------	------------

TITLE:	OPEN FRAME 4-6068HF GA		
CLIENT:			
SITE:			
W.O. No.:	ENGINEER:	P.RUTTER	
TYPE:	CHECKED:		
SCALE:	1:20	DATE:	
TOTAL No. OF SHEETS: 1			

DRAWING NO.	JGA034	SCALE	B
--------------------	--------	--------------	---

BROADCROWN