

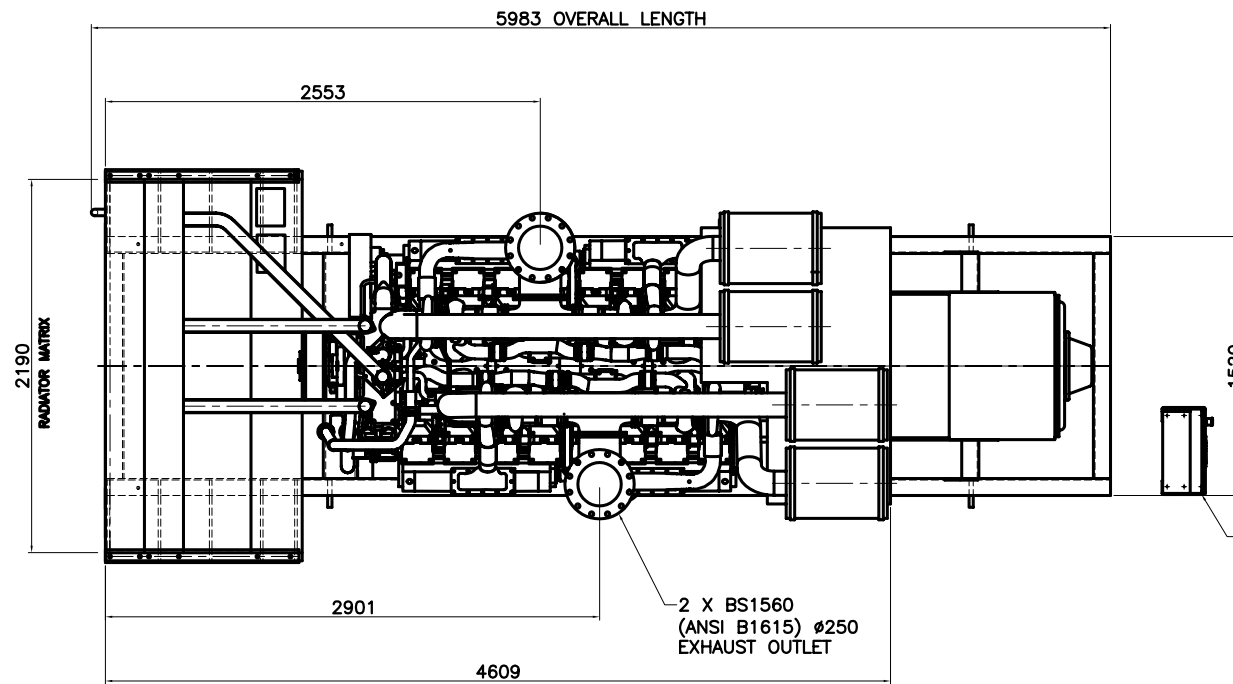
GENSET DETAILS--

WEIGHTS:--  
 ENGINE: 7185 KG DRY, 7540 KG WET  
 ALTERNATOR: 3840 KG  
 RADIATOR: 1400 KG DRY, 1700 KG WET  
 TOTAL GENERATOR WEIGHT: 13550 KG (DRY), 14205 KG (WET)  
 COLOURS:--  
 ENGINE:-- MAIZE YELLOW  
 BASEFRAME, ALTERNATOR & RADIATOR:-- SEMI GLOSS BLACK

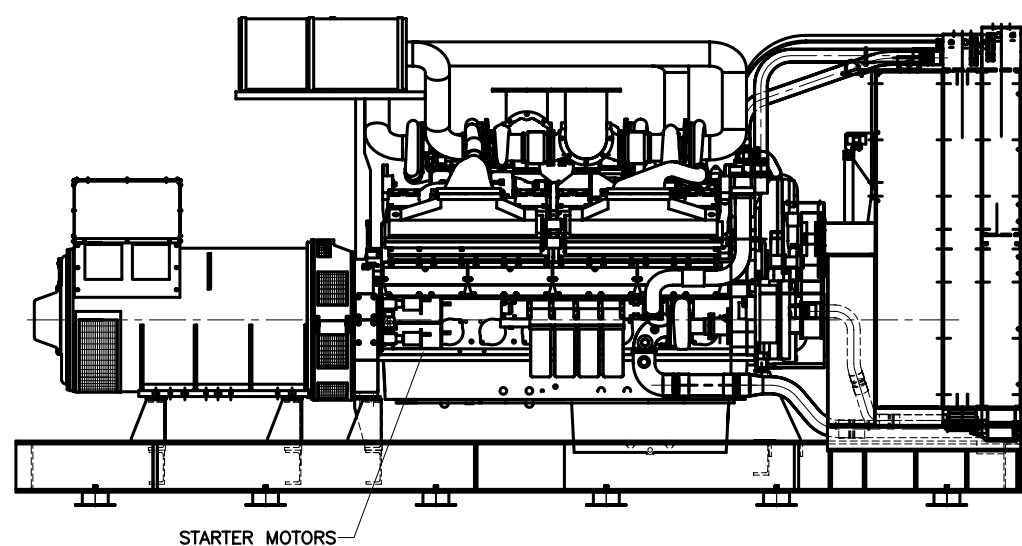
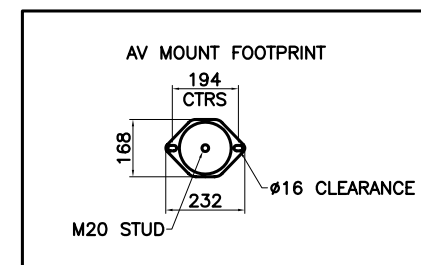
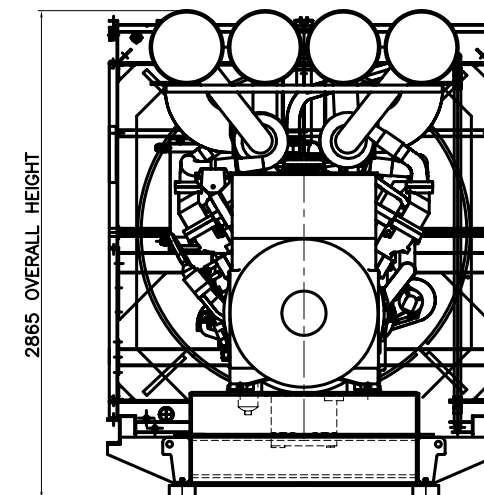
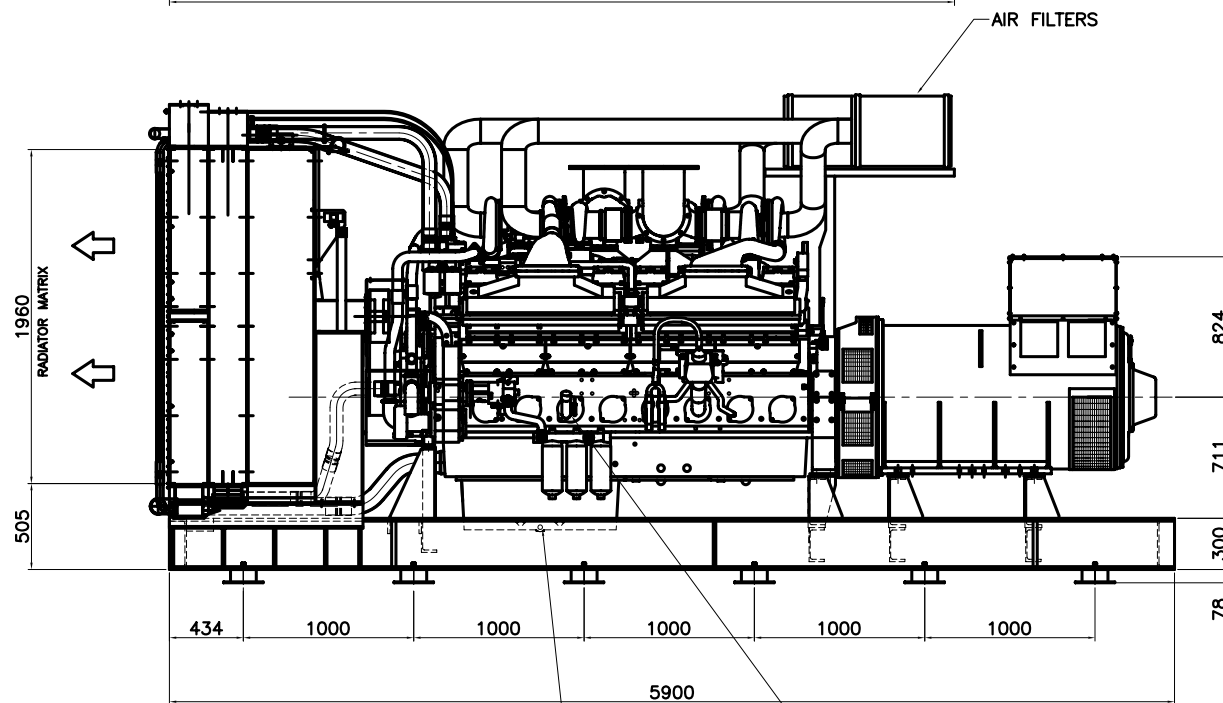
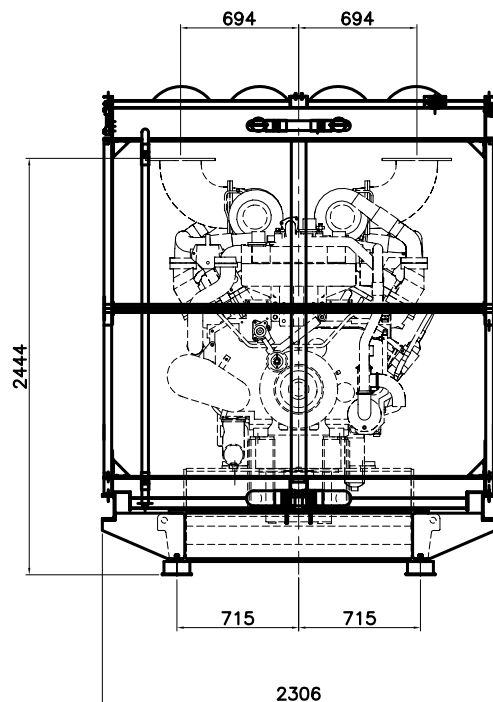
# GeneratorJoe



4016 Quartz Drive  
 Santa Rosa, CA 95405  
 Phone: 707 539-9003  
 Fax: 707 539-5212  
 Email: sales@generatorjoe.NET  
 Web www.generatorjoe.NET



CONTROL PANEL  
 (TO BE POSITIONED TO SUIT.  
 TEMPORARILY FITTED TO BASEFRAME  
 FOR TRANSPORT PURPOSES ONLY)



No. ALTERATIONS CHK'D DATE

NOTES - MECHANICAL

TOLERANCES:  
 GENERAL TOLERANCE + / - 5MM  
 FABRICATION + / - 3MM  
 HOLE CENTRES + / - 1MM  
 OTHER TOLERANCES AS STATED  
 WHERE REQUIRED

DO NOT SCALE  
 IF IN DOUBT ASK  
 THIRD ANGLE PROJECTION

NOTES - ELECTRICAL

CABLE SIZE: 1.5MM  
 UNLESS OTHERWISE STATED  
 CABLE COLOURS  
 DC CONTROL: VIOLET  
 DC POWER: POSITIVE BROWN  
 NEGATIVE BLUE  
 AC POWER SINGLE PHASE: LIVE BROWN  
 NEUTRAL BLUE  
 AC POWER THREE PHASE: L1 BROWN  
 L2 BLACK, L3 GREY, NEUTRAL BLUE  
 AC CONTROL: BLACK

TITLE: GENSET GENERAL ARRANGEMENT

CLIENT:

SITE:

W.O. No.: STANDARD ENGINEER: SKM

TYPE: BCC2000P/2200S DRAWN BY: SKM

SCALE: NTS DATE: 24.11.05

TOTAL No. OF SHEETS (1 - 999) 1

DRAWING NO. ISSUE

BCC2000P MASTER A

**BROADCROWN**

THIS IS NOT AN OFFICIAL CONTRACT DRAWING - FOR PRELIMINARY USE ONLY.