

FOR INDIVIDUAL GEN-SET MODEL TYPES
SEE BROADCAST LITERATURE.

ENGINE TYPE: 6125HF
ALTERNATOR: HCI 444 D/E/F
(HCI 444 F ILLUSTRATED)

USEABLE FUEL CAPACITY: 650L

SHIPPING WEIGHT
(WITH OIL): 2900Kg - 3100Kg -ESTIMATED

WET WEIGHT
50/50 GLYCOL & FUEL: 3500Kg - 3700Kg

OIL CAPACITY: 42 LITRES
COOLING CAPACITY: 45.6 LITRES

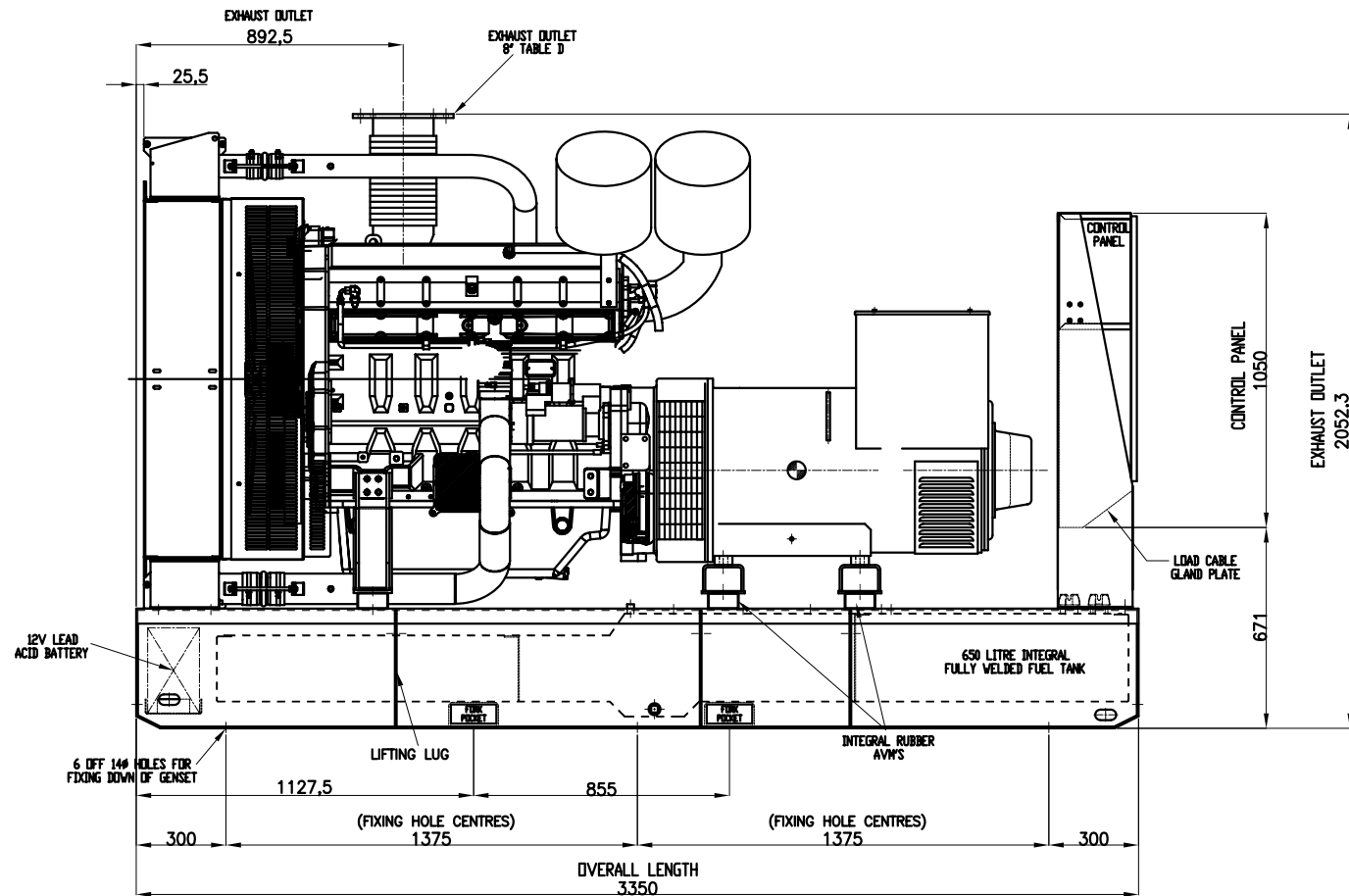
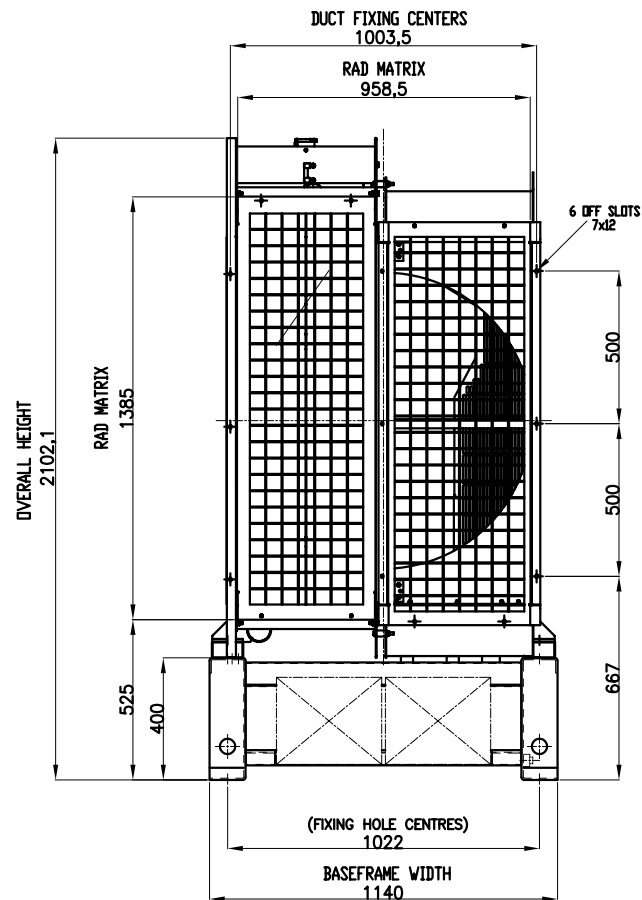
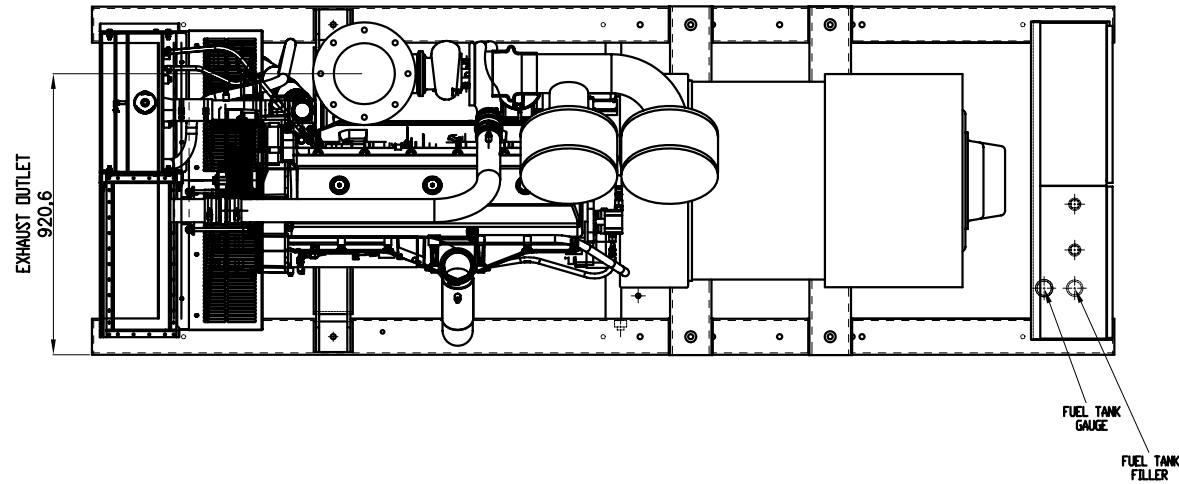
GENERATOR IS TO BE PLACED ON A FLAT FLOOR OR
CONCRETE BASE.

PLEASE NOTE WEIGHTS MAY VARY DEPENDING ON
ALTERNATOR COMBINATION.



GeneratorJoe

4016 Quartz Drive
Santa Rosa, CA 95405
Phone: 707 539-9003
Fax: 707 539-5212
Email: sales@generatorjoe.NET
Web www.generatorjoe.NET



ISS	ALTERATIONS	DATE
B	RADIATOR HEIGHT ADJUSTED	15-07-04 P.R
C	ALTERNATOR CHANGED TO HCKI444 RANGE, HCKI544 NO LONGER AVAILABLE.	25-01-05 P.R
D	AIR FILTER DETAIL ALTERED. ALTERNATOR CHANGED TO HCI, HCKI DISCONTINUED. NOTES CORRECTED.	28-06-05 P.R
E	NEW BEARWARD RADIATOR FITTED, BASEFRAME NARROWED. BATTERY POSITION MOVED.	28-06-05 P.R

NOTES

TOLERANCES:
BETWEEN HOLE CENTRES & HOLE CENTRE TO EDGE (ON FLAT) ± 0.2

HOLE CENTRES TO BEND AND EDGES TO BEND ± 0.5

ACROSS EACH BEND ± 0.5

FABRICATION ± 1.0

HOLE DIAMETERS AND SLOT WIDTHS +0.1, -0.0

ANGULAR ± 0.5°

THIRD ANGLE PROJECTION
DO NOT SCALE, IF IN DOUBT ASK

DISTRIBUTION	
MASTER	FABRICATOR
TITLE:	OPEN FRAME 6 GA
CLIENT:	
SITE:	
W.O. No.:	ENGINEER: P.RUTTER
TYPE:	CHECKED:
SCALE:	DATE:
TOTAL No. OF SHEETS: 1	
DRAWING NO.	ISSUE
JGA021	E
BROADCAST	