

GENSET DETAILS-

FRONT ENGINE FEET: AVM-R11255BN6
 REAR ENGINE AND ALTERNATOR FEET: AVM-R10055BN7

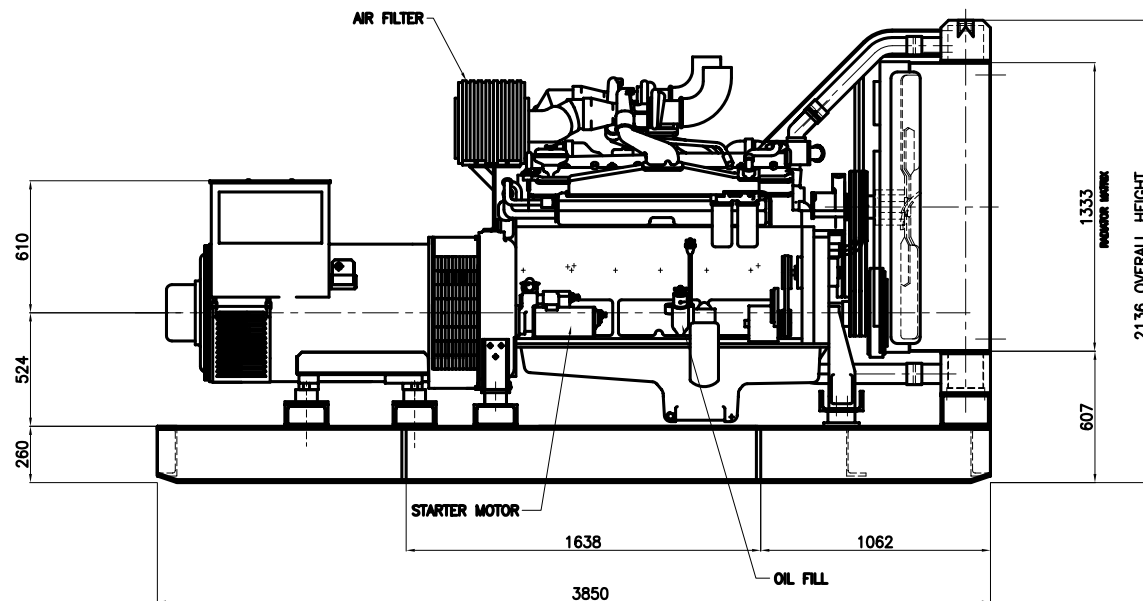
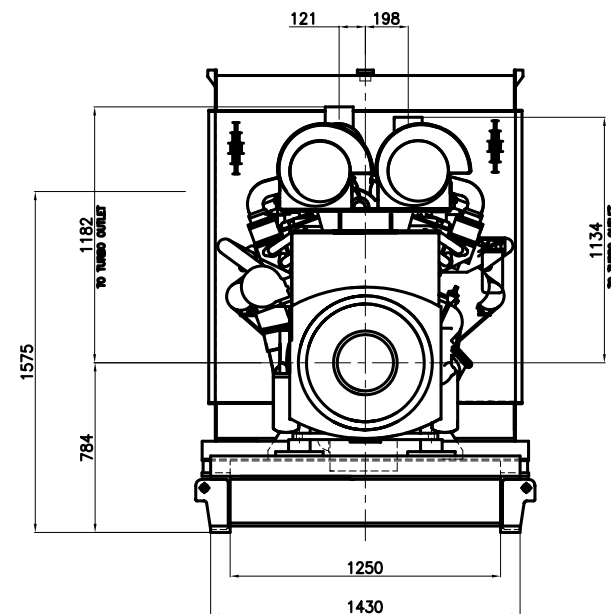
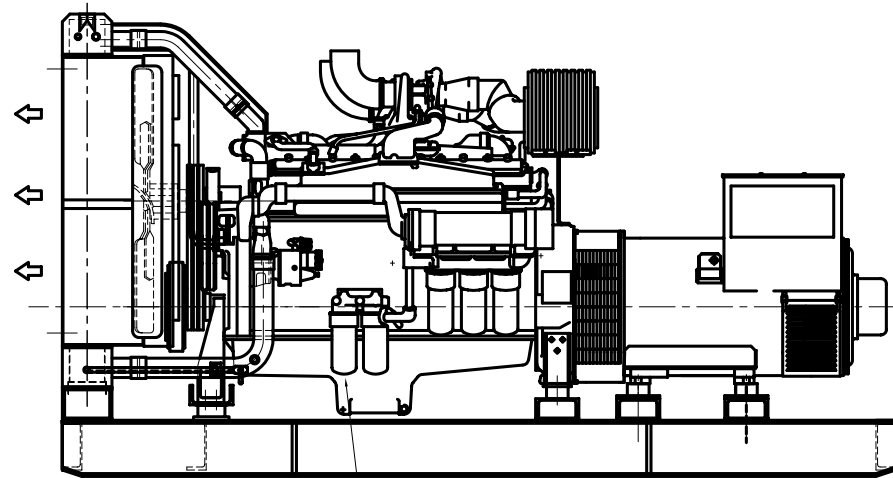
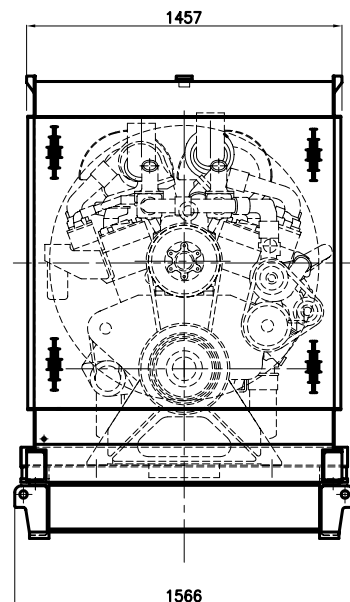
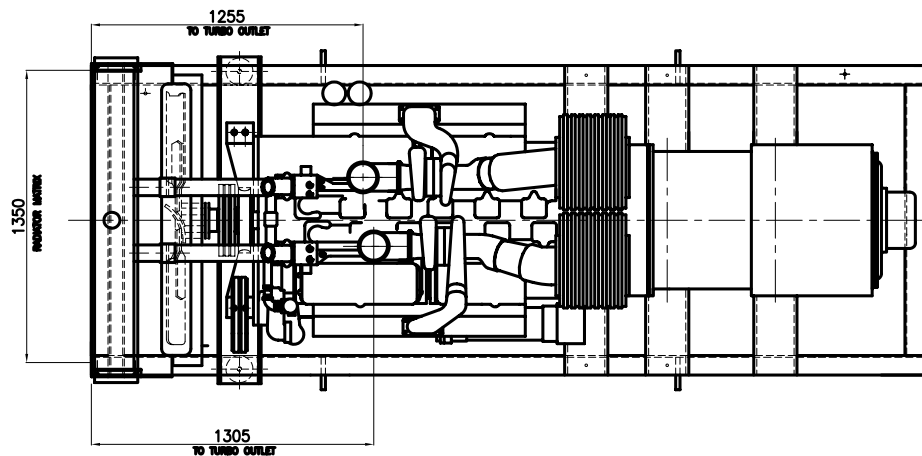
WEIGHTS:-
 ENGINE: 2900 KG DRY, 3050 KG WET
 ALTERNATOR: 1685 KG
 RADIATOR: 200 KG DRY, 285 KG WET

COLOURS:-
 ENGINE:- MAIZE YELLOW
 BASEFRAME, ALTERNATOR & RADIATOR:- SEMI GLOSS BLACK



GeneratorJoe

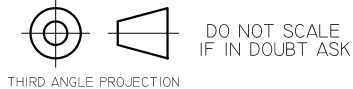
4016 Quartz Drive
 Santa Rosa, CA 95405
 Phone: 707 539-9003
 Fax: 707 539-5212
 Email: sales@generatorjoe.NET
 Web www.generatorjoe.NET



No. ALTERATIONS CHK'D DATE

NOTES - MECHANICAL

TOLERANCES:
 GENERAL TOLERANCE + / - 5MM
 FABRICATION + / - 3MM
 HOLE CENTRES + / - 1MM
 OTHER TOLERANCES AS STATED
 WHERE REQUIRED



NOTES - ELECTRICAL

CABLE SIZE: 1.5MM
 UNLESS OTHERWISE STATED
 CABLE COLOURS
 DC CONTROL: VIOLET
 DC POWER: POSITIVE BROWN
 NEGATIVE BLUE
 AC POWER SINGLE PHASE: LIVE BROWN
 NEUTRAL BLUE
 AC POWER THREE PHASE: L1 BROWN
 L2 BLACK, L3 GREY, NEUTRAL BLUE
 AC CONTROL: BLACK

TITLE: GEN-SET GENERAL ARRANGEMENT

CLIENT:

SITE:

W.O. No.: ENGINEER: SKM

TYPE: BCC650P/700S DRAWN BY: SKM

SCALE: NTS DATE: 23.11.05

TOTAL No. OF SHEETS (1 - 999) 1

DRAWING NO. ISSUE

BCC650P MASTER A

BROADCROWN

THIS IS NOT AN OFFICIAL CONTRACT DRAWING - FOR PRELIMINARY USE ONLY.