



GeneratorJoe

DIESEL GENERATORS MLG 8-25 AND MG 35-425

4016 Quartz Drive
Santa Rosa, CA 95405
Phone: 707 539-9003
Fax: 707 539-5212
Email: sales@generatorjoe.NET
Web www.generatorjoe.NET

WE OFFER A FULL LINE OF MOBILE GENERATORS DESIGNED TO BE USED BY REAL PEOPLE IN REAL SITUATIONS. FROM THE ALASKAN RANGE TO THE DESERTS OF THE MIDDLE EAST, THEY'VE ENDURED THE MOST EXTREME ENVIRONMENTAL CHALLENGES AND HAVE COME OUT ON TOP. OUR CUSTOMERS KNOW THAT WHEN THEY SEE OUR NAME, THEY'RE GETTING A TOUGH MACHINE THAT STANDS THE TEST OF TIME.



MOBILE LIGHT GENERATORS (MLG)
8kW TO 20kW SINGLE PHASE
25kVA THREE PHASE

TOUGH

- STEEL, LOCKABLE ENCLOSURE
- FULL TUBULAR STEEL FRAME
- DURABLE POWDER COAT FINISH

RELIABLE

- KEY SWITCH ON SINGLE PHASE
- MICROPROCESSOR ON THREE PHASE
- LOW OIL / HIGH TEMP SHUTDOWNS
- START LIMIT MAIN BREAKER
- UP TO 60 HOURS FULL LOAD RUN TIME
- 2 YEAR 2,000 HOUR WARRANTY

EASY TO USE

- SELF-PRIMING ENGINES
- EXTERNAL CONVENIENCE OUTLETS WITH INDIVIDUAL BREAKERS
- EXTERNAL EMERGENCY STOP SWITCH
- THREE PHASE MODELS ALSO HAVE VOLTAGE SELECTOR SWITCH, LUGS AND LUG BOX SAFETY SWITCH, AND AUTOMATIC REMOTE START



MOBILE GENERATORS (MG)
35kVA TO 425kVA

TOUGH

- ALUMINUM ENCLOSURE
- LOCKABLE ENCLOSURE
- STEEL SKID AND TRAILER
- DURABLE POWDER COAT FINISH

RELIABLE

- SOPHISTICATED MICROPROCESSOR
- VOLTAGE REGULATION WITHIN 1%
- 24 HOUR FULL LOAD RUN TIME
- AIR FILTER CONDITION INDICATOR
- 2 YEAR 2,000 HOUR WARRANTY

EASY TO USE

- VOLTAGE SELECTOR SWITCH
- LUGS AND LUG BOX SAFETY SWITCH
- MULTIPLE CONVENIENCE OUTLETS
- EXTERNAL EMERGENCY STOP SWITCH
- EXTERNAL, LOCKABLE FUEL CAP
- AUTOMATIC REMOTE START
- ENHANCED MOTOR STARTING OPTION AVAILABLE



GeneratorJoe

DIESEL GENERATORS MLG 8 – MLG 25

4016 Quartz Drive
 Santa Rosa, CA 95405
 Phone: 707 539-9003
 Fax: 707 539-5212
 Email: sales@generatorjoe.NET
 Web www.generatorjoe.NET

Model	MLG 8	MLG 15	MLG 20	MLG 25
Output				
3 Phase - Standby (kw/kva)	NA			20/25
Amps (480/208 V)	NA			30/69
3 Phase - Prime (kw/kva)	NA			18/23
Amps (480/208 V)	NA			28/64
1 Phase - Standby (kw/kva)	8/8	15/15	20/20	16/16
Amps (240V)	33	62	83	67
1 Phase - Prime (kw/kva)	7/7	13/13	19/19	15/15
Amps	29	54	79	63
AC Voltage 1-phase	120/240			120, 139, 208, 220, 240, 277
AC Voltage 3-phase	NA			208, 220, 440, 480
Frequency Hz.	60			
Power Factor	1.0 (1Phase)			1.0 (1Phase) / .8 (3 Phase)
Generator (brand/type/insulation)	Marathon/Brushless/H			
Sound (dB(A) 23 Feet @ prime)	70			
Size & Weight				
Skid Mounted (LxWxH) (in.)	NA			
Dry Weight lb. (kg.)	NA			
Operating Weight lb. (kg.)	NA			
Trailer Mounted (LxWxH) (in.)	105x67x56	105x67x56	105x67x56	105x67x56
Dry Weight lb. (kg.)	1030 (470)	1380 (625)	1420 (645)	1570 (710)
Operating Weight lb. (kg.)	1250 (570)	1810 (820)	1850 (840)	2000 (910)
Engine				
Brand	Mitsubishi	Mitsubishi	Isuzu	Isuzu
Aspiration	Natural	Natural	Natural	Natural
HP (prime @ 1800 rpm) (kWm)	10.4 (7.8)	22 (16.6)	31 (23)	31 (23)
Displacement C.I.D. (l.)	58.0 (1.0)	107 (1.8)	134 (2.2)	134 (2.2)
Cylinders	3	4		
Speed (rpm)	1800			
Fuel Consumed (Prime gal.(l.)/h)	0.5 (1.9)	1.2 (4.6)	2.1 (7.9)	2.1 (7.9)
Battery (12 volt)	1 - 12V/720 CCA			
Capacities				
Fuel Tank gal. (l.)	30 (113)	57 (215)	57 (215)	57 (215)
Approximate Run Time (hrs.)	60	48	27	27
Coolant qt. (l.)	4.5 (4.25)	11.6 (11.0)	11.6 (11.0)	11.6 (11.0)
Oil qt. (l.)	3.5 (3.3)	6.7 (6.3)	6.7 (6.3)	6.7 (6.3)
AC Distribution				
Main Breaker	40	70	100	90
Voltage Selection	None			3 Position Switch (lockable)
Voltage Regulation	+/-1%			
120V - 20 amp GFI Duplex	2			
240V - 30 amp Twist Lock	3			
240V - 50 amp Twist Lock	1			
Trailer				
Number of Axles & Capacity (lbs.)	1 (2200)			
Tire Size (in.)	15			
Brakes	None			
Hitch	2" Ball			



GeneratorJoe

4016 Quartz Drive

Santa Rosa, CA 95405

Phone: 707 539-9003

Fax: 707 539-5212

Email: sales@generatorjoe.NET

Web www.generatorjoe.NET

DIESEL GENERATORS MG 35 – MG 425

MG 35	MG 55	MG 80	MG 125	MG 155	MG 180	MG 230	MG 290	MG 425
29/36	50/62	68/85	108/135	135/169	155/194	202/252	276/345	371/464
43/100	75/172	102/236	162/375	203/468	233/538	303/699	415/958	558/1288
26/33	43/53	64/80	100/125	125 /156	145/181	185/231	234/293	340/425
40/92	64/149	96/222	150/347	188/434	218/503	278/641	352/813	511/1180
26/26	45/45	60/60	97/97	100/100	125/125	NA		
108	188	250	404	417	521	NA		
24/24	41/41	55/55	90/90	95/95	120/120	NA		
100	171	229	375	396	500	NA		
120, 139, 208, 220, 240, 277						NA		
208, 220, 440, 480						208/480		
60								
1.0 (1Phase) / .8 (3 Phase)						.8 (3 Phase)		
Marathon/Brushless/H								
68								
83x35x53	95x35x55.5	96x38x61.5	132x50x73	132x50x73	132x50x77	132x50x77	175x60x96	175x60x96
2020 (920)	2345 (1065)	3240 (1470)	5260 (2390)	5260 (2390)	6300 (2860)	6510 (2955)	12105 (5491)	12105 (5491)
2475 (1125)	3180 (1445)	4210 (1910)	7020 (3185)	7020 (3185)	8890 (4035)	9100 (4130)	17064 (7740)	17064 (7740)
132x57x68	143x57x72	157x60x67.5	210x86x90	210x86x90	210x86x93	210x86x93	239x102x112	239x102x112
2540 (1150)	2860 (1300)	3940 (1790)	7200 (3270)	7200 (3270)	8240 (3740)	8450 (3830)	15355 (6965)	15355 (6965)
2990 (1350)	3700 (1680)	4910 (2230)	8960 (4060)	8960 (4060)	10830 (4910)	11040 (5010)	20314 (9214)	20314 (9214)
John Deere	John Deere	John Deere	John Deere	John Deere	John Deere	John Deere	John Deere	John Deere
Turbo	Turbo	Turbo	Turbo	Turbo	Turbo	Turbo	Turbo	Turbo
43(32)	72(54)	102 (76)	150(112)	200 (149)	228 (170)	286 (213)	353 (263)	512 (382)
149(2.4)	186(3.0)	274 (4.5)	415 (6.8)	415 (6.8)	415 (6.8)	415 (6.8)	494 (8.1)	763 (12.5)
4	5	4	6					
1800								
2.6 (9.8)	4.0 (15.1)	5.6 (21.3)	7.7 (29.1)	9.8 (37.1)	11.0 (41.6)	13.3 (50.3)	16.9 (64.0)	25.2 (95.2)
1 - 12V/1000 CCA						2 - 12V/1000 CCA		
62 (234)	116 (440)	135 (511)	245 (927)	245 (939)	360 (1363)	360 (1363)	360 (1363)	630 (2385)
24	26	24	28.8	25	32	27	22	22
16.0 (15.1)	17.5 (16.5)	19.5 (18.5)	42 (39.7)	42 (39.7)	42 (39.7)	50 (47.7)	94 (89)	94 (89)
8.5 (8.0)	9 (8.5)	9 (8.5)	18 (17)	33 (31)	33 (31)	33 (31)	44 (42)	44 (42)
125	225	300	450	600	700	800	1200	1600
3 Position Switch (lockable)						Link Board / Reconnect Board		
+/- 1 %								
2						-		
NA								
2			3			-		
1 (3,500)	1 (5,000)	1 (6,000)	2 (6,000)			2 (7,000)	3 (7,000)	
15			16					
None /Surge/ Electric	Surge/Electric							
2" Ball		3" Pintle						



GeneratorJoe

4016 Quartz Drive

Santa Rosa, CA 95405

Phone: 707 539-9003

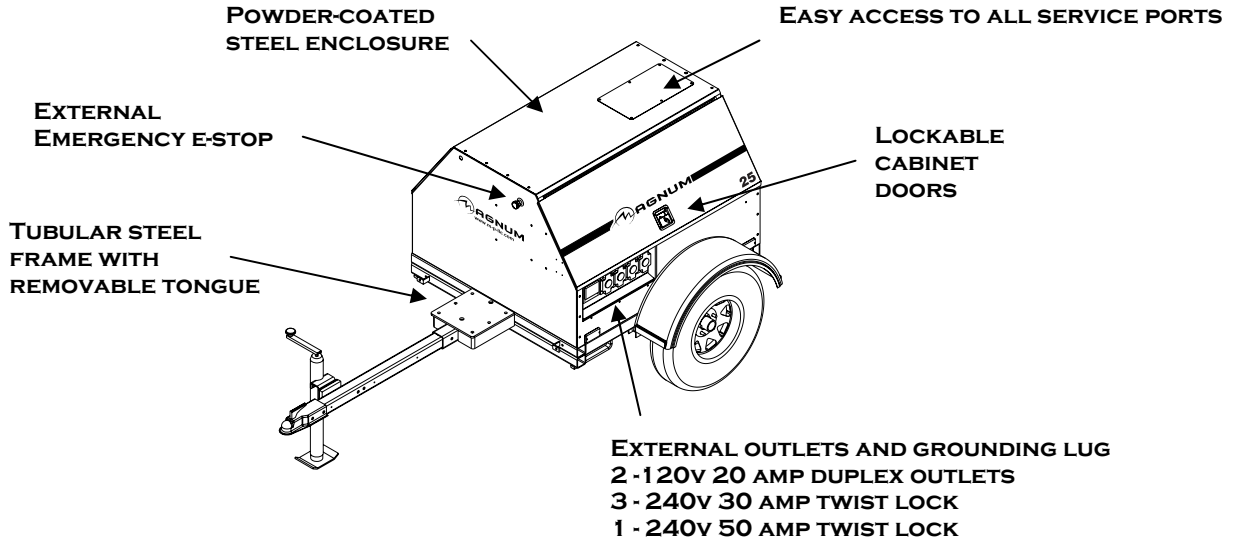
Fax: 707 539-5212

Email: sales@generatorjoe.NET

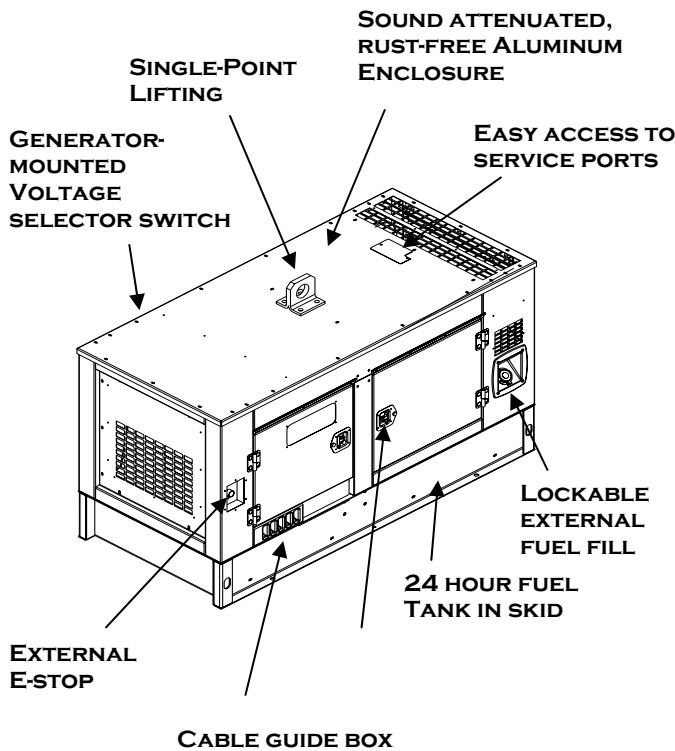
Web www.generatorjoe.NET

DIESEL GENERATORS MLG 8-25 AND MG 35-425

MLG 8 – MLG 25



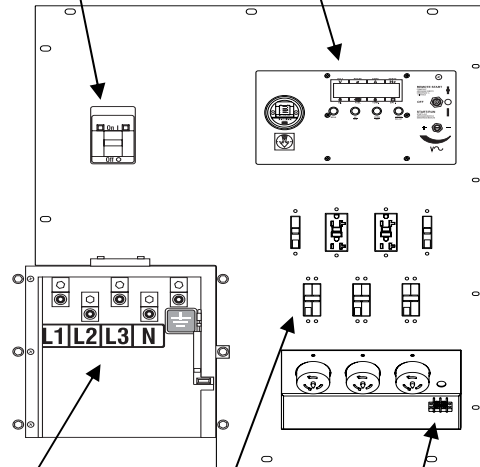
MG 35 – MG 425



MG CONTROL PANEL

SHUNT TRIP BREAKER FOR LUGS

ELECTRONIC CONTROLLER WITH LCD DISPLAY AND FILTER MINDER



LUG PANEL WITH SAFETY SWITCH DOOR

OUTLETS WITH INDIVIDUAL BREAKERS

TWO-WIRE REMOTE START

SPECIFICATIONS SUBJECT TO CHANGE