



GeneratorJoe

Nobody gets the job done like GeneratorJoe!

Trooper Trailers™

Single & Dual Axle Generator Trailers



Standard Features:

- 3" x 3" x 1/8" Square Tubing - Main Beam
- 3" x 3" x 1/8" Square Tubing - Frt & Back X Members
- 2" x 3" x 1/8" Square Tubing - Cross Members
- 2" x 3" x 3/16" Square Tubing - Tongue
- 2" x 3" x 3/16" Angle - Tongue Braces
- 2,000 lb. Torflex Dexter Axles with Brakes
- Tubeless Tires & White Spoke Wheels
- 2" ball or pintle hitch & tongue jack
- 1 1/16" Safety chains with hooks
- Standard or LED Lights, sealed, DOT4 Standard
- Trailer wiring encased in conduit
- Jeep Fenders

Best Value For Your Money:

GeneratorJoe has been a leader in generator technology since 1985. We strive to provide the most durable and reliable products with superior performance and value. We use world-class engines and components. We use the finest materials including the best structural and sheet steel, stainless steel hardware, industrial grade fasteners and modern powder coatings. Our specifications require each trailer to be built by hand so we can provide you with the highest quality generator trailer on the market today. Our generator sound shields were developed using input from the aerospace industry and have sound canceling effects decreasing noise an average of 50%. We are very committed to our products and offer the most extensive warranty in the industry. Sales and service work are handled by factory trained dealers across the country and around the world. We can supply all your generator needs and we are just a phone call away. **We not only meet your needs, we exceed your expectations.**

Call GeneratorJoe at (707) 539-9003 or write sales@generatorjoe.NET

GeneratorJoe Mission:

- Utilize the best technology and materials available.
- Build a reliable product for the harshest of operating environments.
- Supply a product which is simple to operate and easy to maintain.
- Provide the best pricing and warranty in the industry.



Sizes:(empty without GenSet)

Single Axle Trailer.....Fits 8-25 kW Industrial GenSets
2,200 or 3,850 GVW, 1800/3090 lb max payload...94" x 56" x 28"

Dual Axle Trailer.....Fits 30-60 kW Industrial GenSets
4,000 GVW, 3800 lb max payload.....141" x 60" x 29"

Fuel Tanks:

Tandum axle shown with single wall 130 gallon tank and single axle with 75 gallon single wall tank. Tanks have filler neck, pickup and vent.

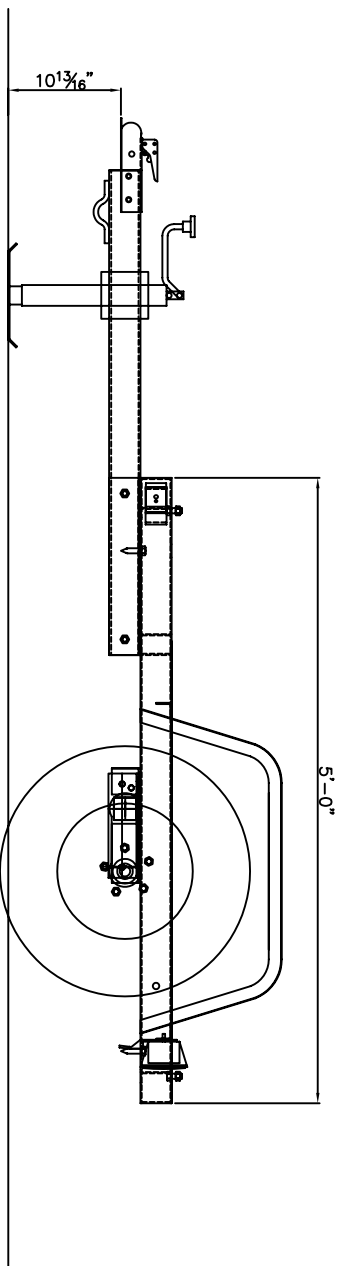
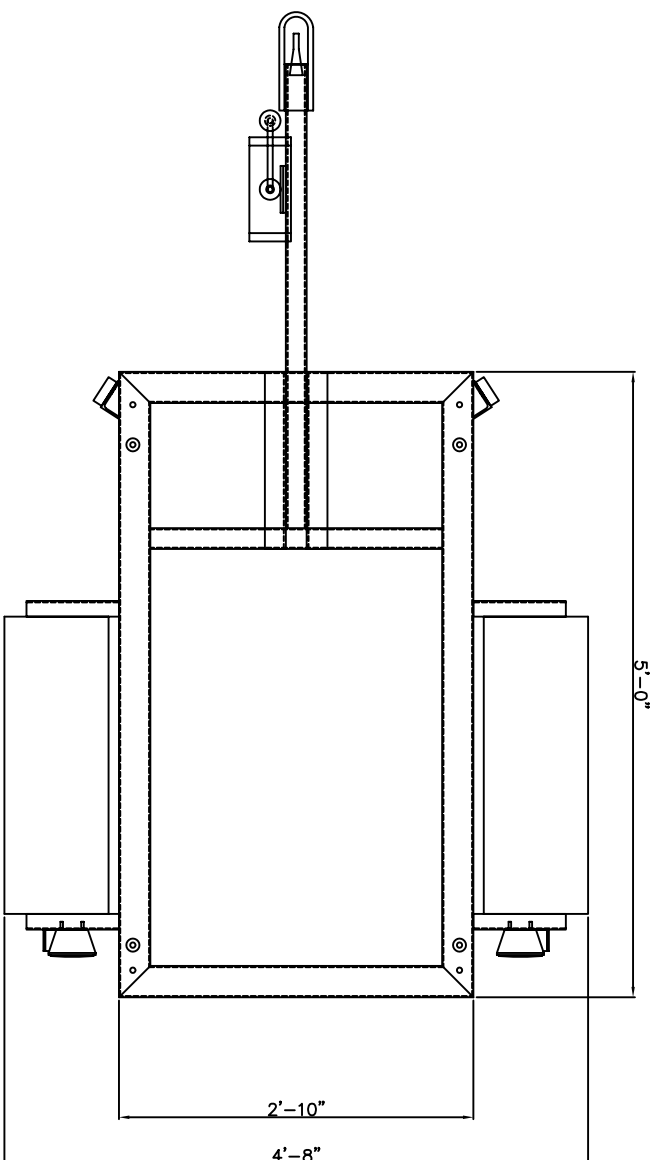
Paint:

Trailers are painted black, 3 coats with a rust inhibitor etch primer, bond sealed and finished with high quality industrial enamel. Special colors/camo patterns available.

Warranty:

GeneratorJoe trailers come with an industry exclusive ten (10) year structural warranty.

GeneratorJoe
Phone: (707) 539-9003
Fax: (707) 539-5212
E-Mail sales@generatorjoe.net
Web www.generatorjoe.net



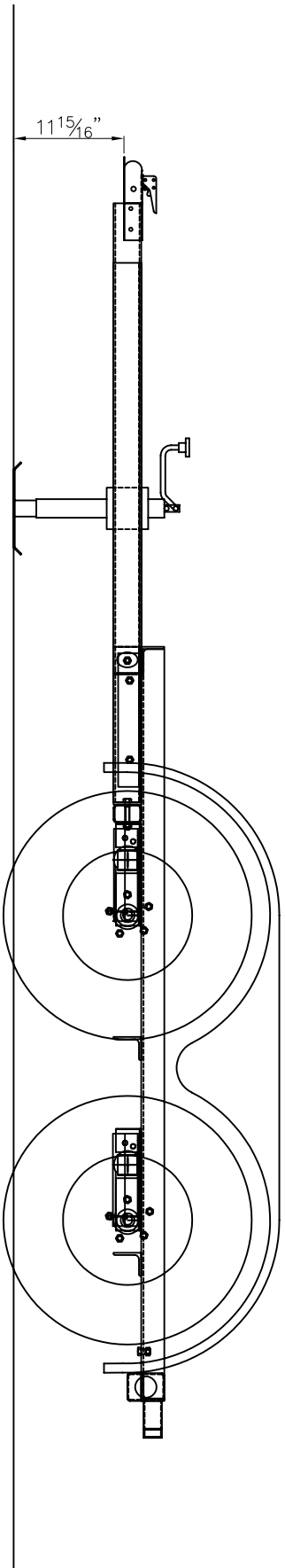
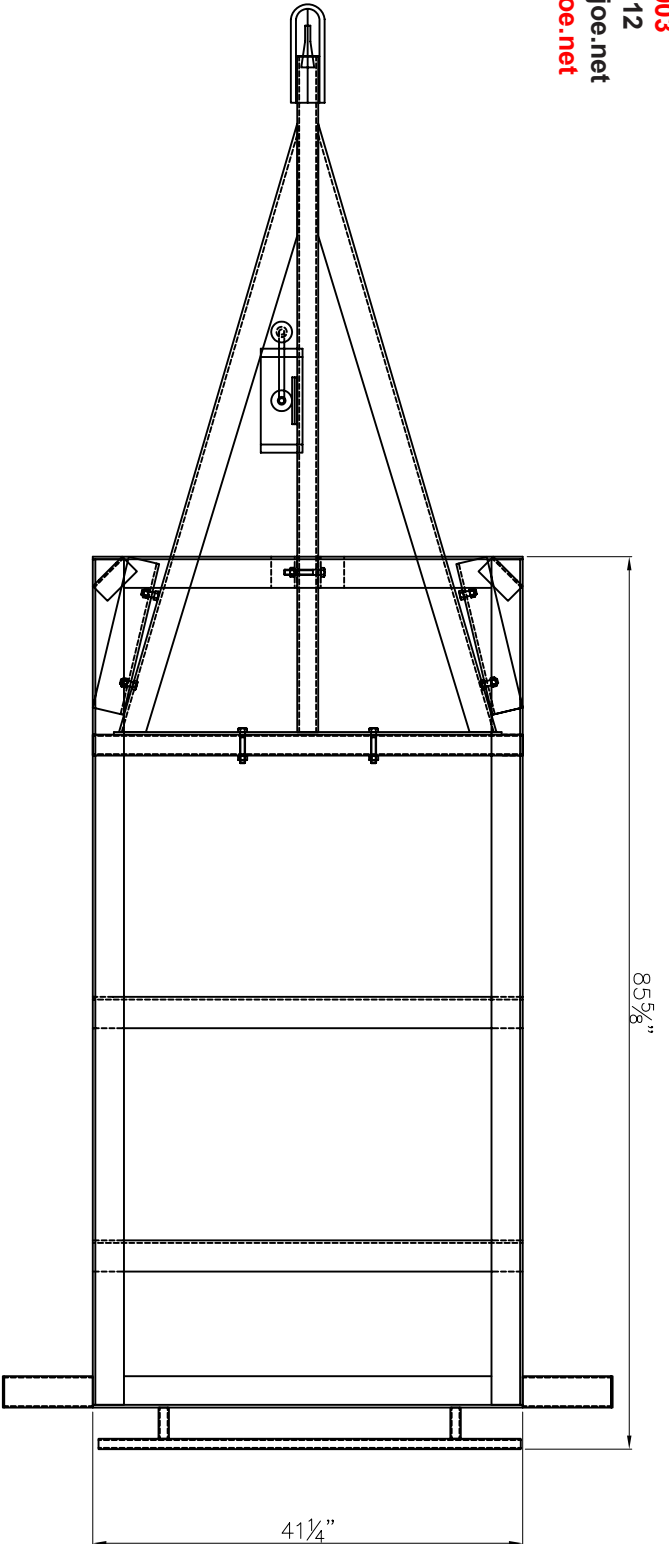
Single Axle Trailer - General Dimentions



GeneratorJoe

Trooper Trailers

GeneratorJoe
Phone: (707) 539-9003
Fax: (707) 539-5212
E-Mail sales@generatorjoe.net
Web www.generatorjoe.net



Tandem Axle Trailer - General Dimentions



GeneratorJoe

Trooper Trailers