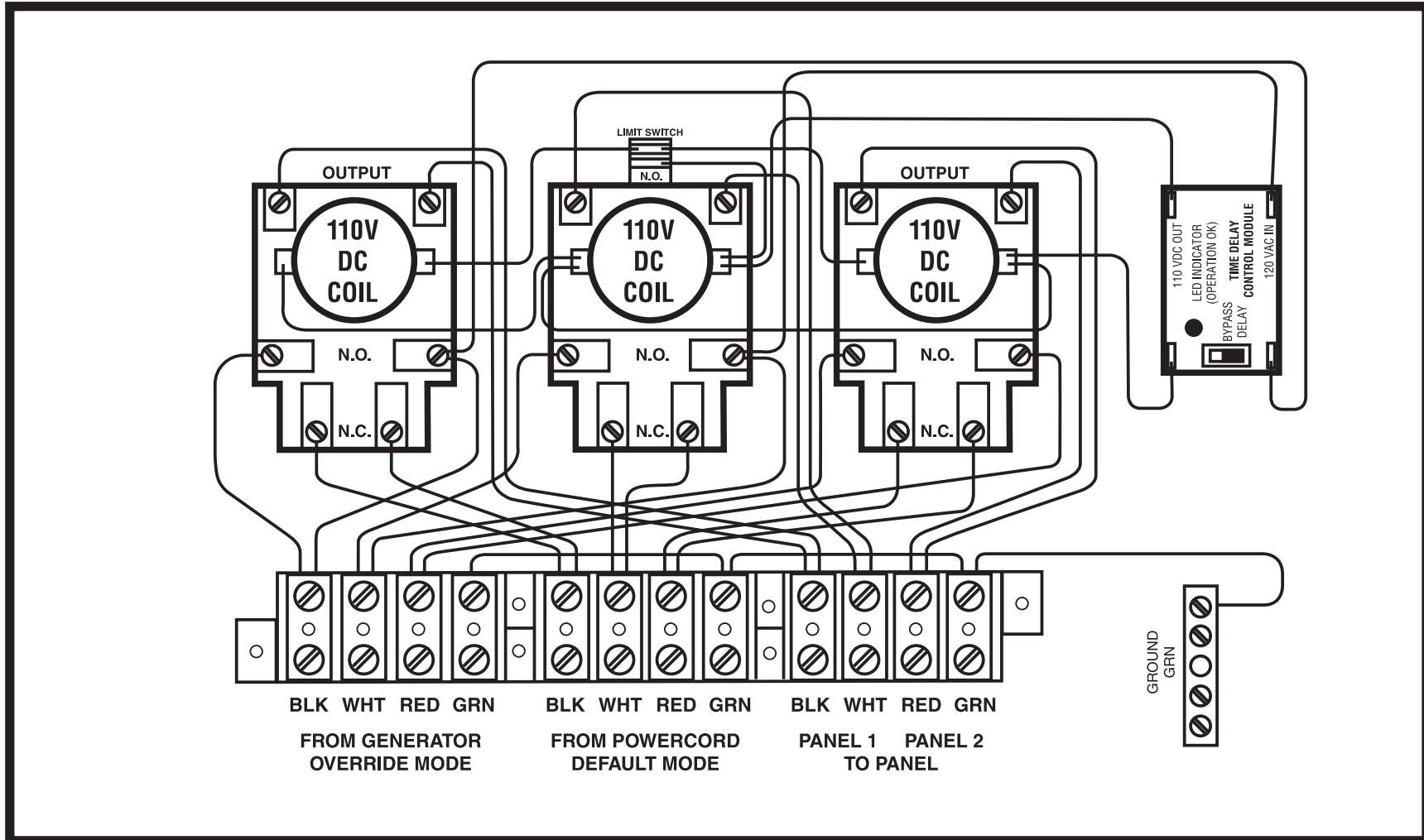




MAXIMUM SERVICE  
 120V 60Hz 1 Phase  
 100 Amps/Pole 3 Pole  
 GENERAL LOADS

# MODEL ITS-100R TRANSFER SWITCH



## WARNING

MULTIPLE 120/240 VOLT POWER SOURCES. ALL MUST BE SECURED OFF BEFORE SERVICING. REFER SERVICE TO A QUALIFIED ELECTRICIAN.



## NOTE

120/240 VOLT TRANSFER SWITCHES MAY NOT OPERATE IF POWER IS LOST ON ONE HOT LEG WHEN RUNNING ON 240 VOLTS.

Use copper wire only  
 75° C. minimum.

# GeneratorJoe

4016 Quartz Drive  
 Santa Rosa, CA 95405  
 Phone: 707 539-9003  
 Fax: 707 539-5212  
 Email: sales@generatorjoe.NET  
 Web www.generatorjoe.NET