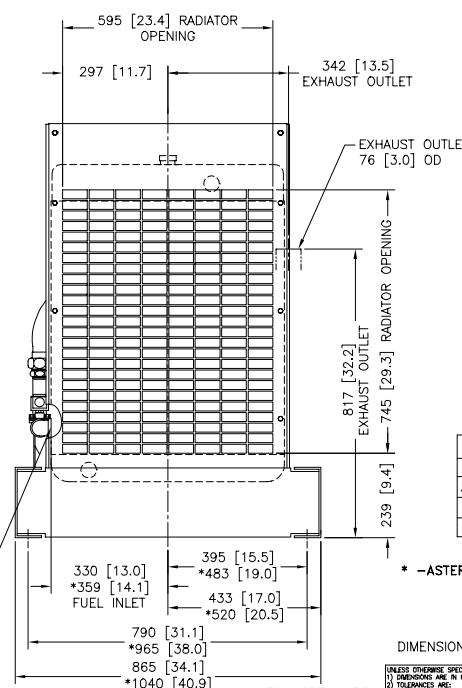
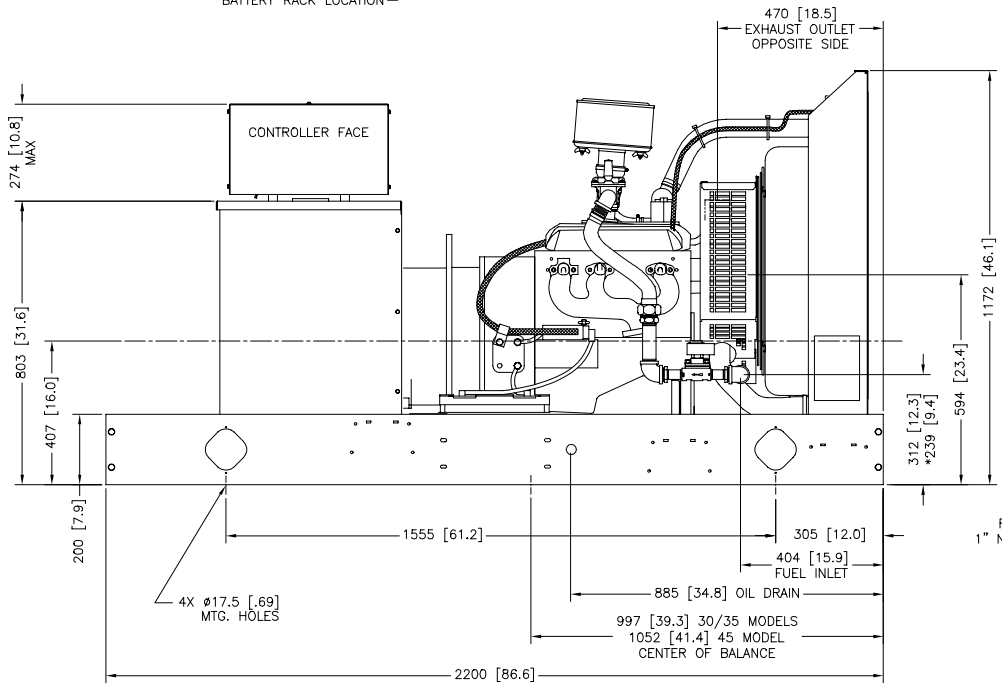
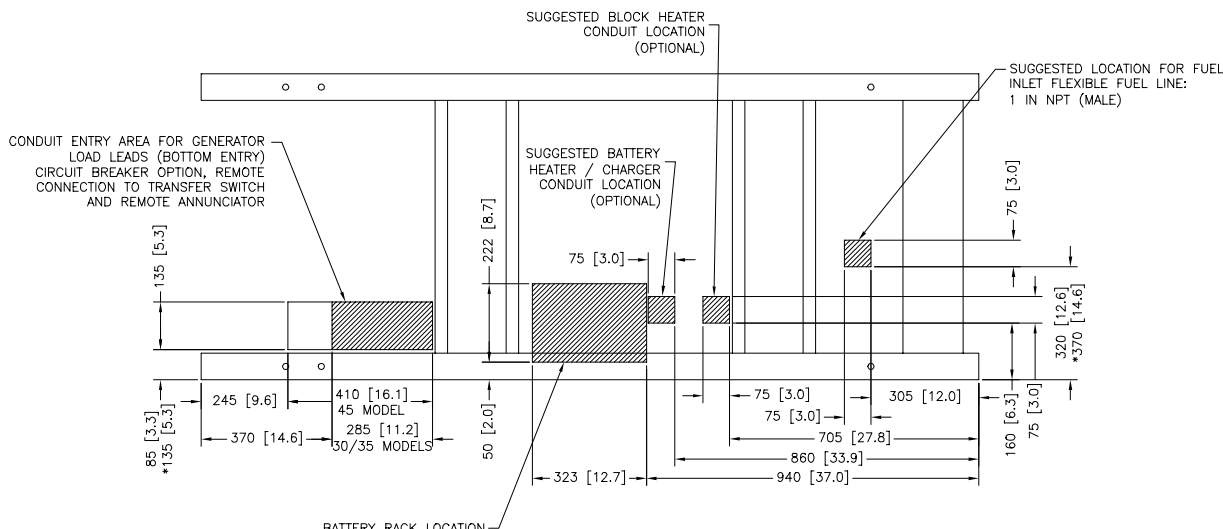


REV	DATE	REVISION	BY
L	12-17-02	STUB-UP CONDUIT LOCATIONS UPDATED, & BATTERY CHARGING	
		STUB-UP ADDED, (0-3,8-1) SUBBASE TANK NOTES ADDED. [68636]	RAC
M	4-28-03	(8-2) 745 WAS 715. [69412]	RAC
N	8-7-03	(8-1, D-3) ALL REF. TO SUBBASE TANKS REMOVED. [70092]	MMR
P	5-20-05	SEE SHEET 4 [75122]	SAM



MODEL	WEIGHT (WET)
30 4P5	556 KG [1225 LBS]
35 4P5B/4Q5	565 KG [1246 LBS]
45 4P7B	601 KG [1326 LBS]
45 4P8/4Q10	617 KG [1361 LBS]

* -ASTERISK DENOTES 1040 [40.9] SKID WIDTH

METRIC CAD FILE

DIMENSIONS IN [] ARE INCH EQUIVALENT

30 MODEL, 4P5
35 MODEL, 4P5B/4Q5
45 MODEL, 4P7B/4P8/4Q10
RECONNECTABLE,
IMPROVED MOTOR STARTING (IMS) RECONNECTABLE,
& 600V ALTERNATOR
4.3 LITER GM

UNLESS OTHERWISE SPECIFIED:
1) DIMENSIONS ARE IN MILLIMETERS
2) TOLERANCES ARE:
X ± 0.25 SURFACE FINISH
X ± 0.50 MAX.
X ± 1.50 MAX.
ANGLES ± 0.50°

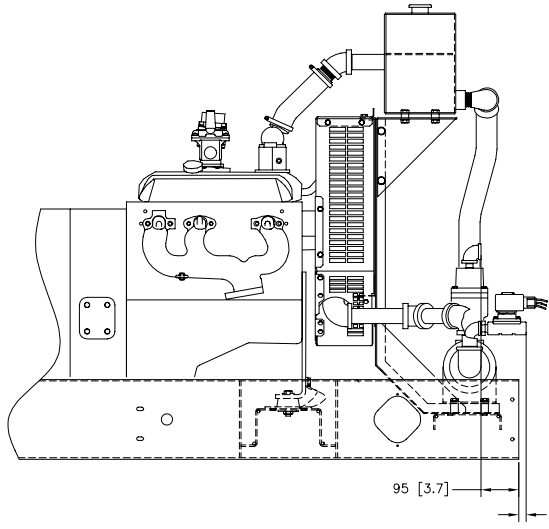
KOHLER CO.
POWER SYSTEMS, KOHLER, WI 53044 U.S.A.
THIS DRAWING IS EITHER THE PROPERTY OF KOHLER CO. OR IT IS THE PROPERTY OF ANOTHER PARTY. ALL RIGHTS OF DESIGN OR INVENTION ARE RESERVED.

APPROVED: [Signature] DATE: [Date]
DRAWN: SAM DATE: 2-23-00
CHECKED: CF DATE: 3-6-00
APPROVED: CF DATE: 3-6-00

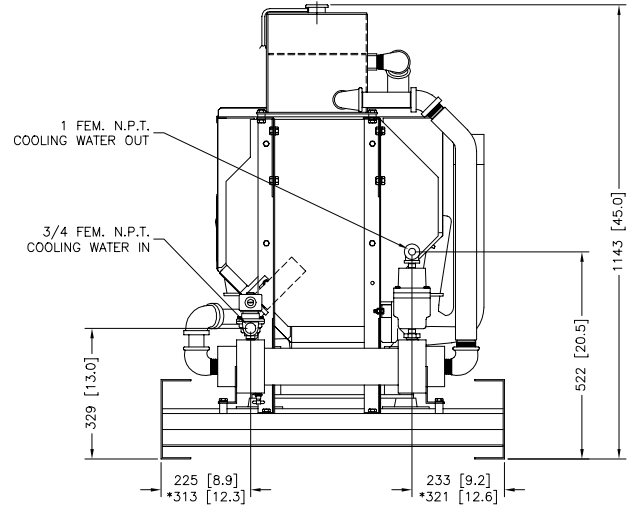
TITLE: DIMENSION PRINT
30-45 GM

SCALE: 0.2X (SEE FILE ADV548A.DWG) SHEET 1-4
DWG. NO. ADV-6548

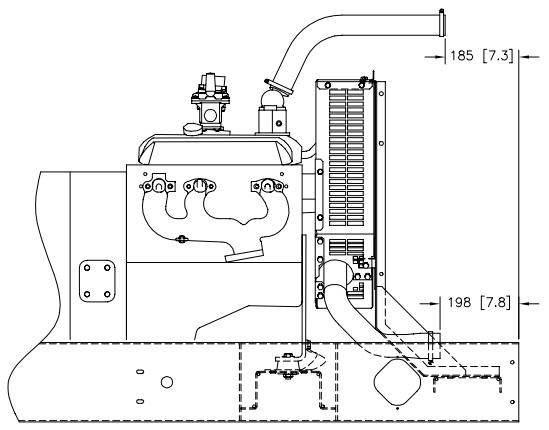
REV	DATE	REVISION	BY
L	12-17-02	SEE SHEET 1 & 4 OF 4. [68636]	RAC
M	4-28-03	(8-5) 555 WAS 579 & 643 WAS 667, (8-6) 1002 WAS 1001, (8-5) 192 WAS 170 & 296 WAS 258. [89412]	RAC
N	8-7-03	SEE SHEET 1 OF 4 [70092]	MMR
P	5-20-05	SEE SHEET 4 [75122]	SAM



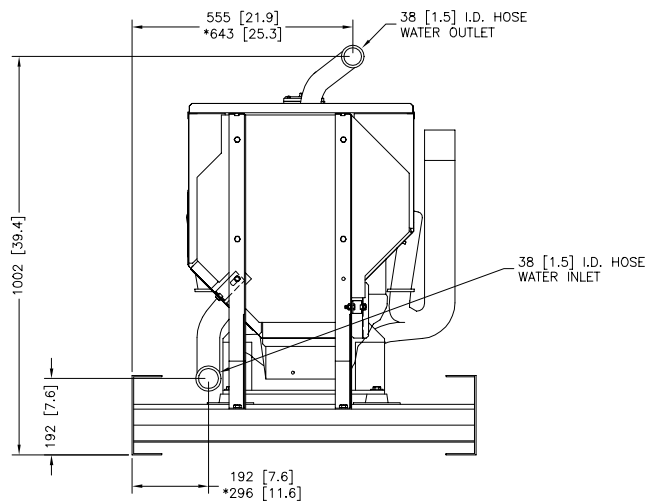
CITY WATER COOLED



* -ASTERISK DENOTES 1040 [40.9] SKID WIDTH



REMOTE RADIATOR



METRIC CAD FILE

DIMENSIONS IN [] ARE INCH EQUIVALENT

UNLESS OTHERWISE SPECIFIED:
 (1) DIMENSIONS ARE IN MILLIMETERS
 (2) TOLERANCES ARE:
 FRACTIONS DECIMALS SURFACE FINISH
 1/16 ± 0.10 0.10 MAX.
 1/8 ± 0.10 0.10 MAX.
 1/4 ± 0.15 0.15 MAX.
 3/8 ± 0.15 0.15 MAX.
 1/2 ± 0.20 0.20 MAX.
 3/4 ± 0.25 0.25 MAX.
 1 ± 0.30 0.30 MAX.
 ANGLES ± 0.30°

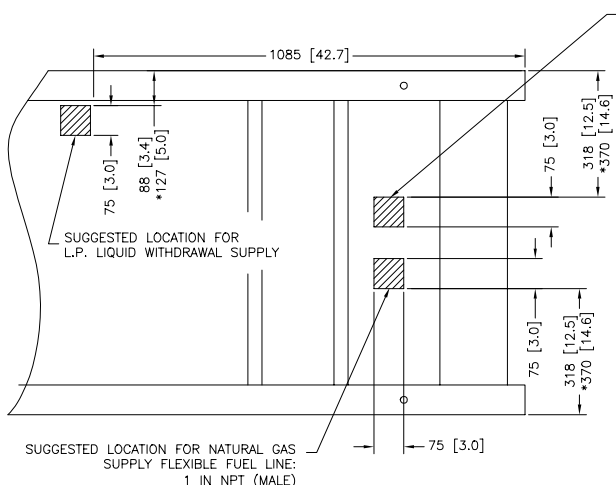
KOHLER CO.
 POWER SYSTEMS, KOHLER, WI 53044 U.S.A.
 THIS DRAWING IS DESIGN AND TRADE SE PROPERTY AND
 MUST NOT BE USED WITHOUT THE CONSENT OF KOHLER CO. WORK
 ALL RIGHTS OF DESIGN OR INVENTION ARE RESERVED.

30 MODEL, 4P5
35 MODEL, 4P5B/405
45 MODEL, 4P7B/4P8/4Q10
RECONNECTABLE,
IMPROVED MOTOR STARTING (IMS) RECONNECTABLE,
& 600V ALTERNATOR
4.3 LITER GM

TITLE
DIMENSION PRINT
30-45 GM

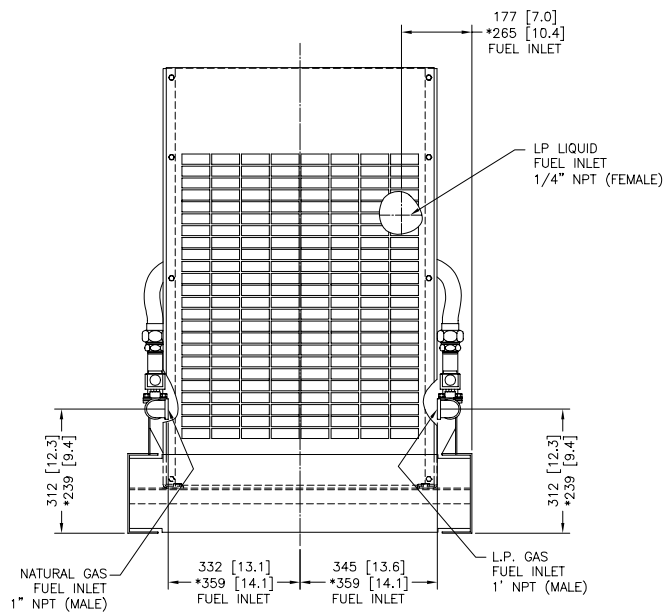
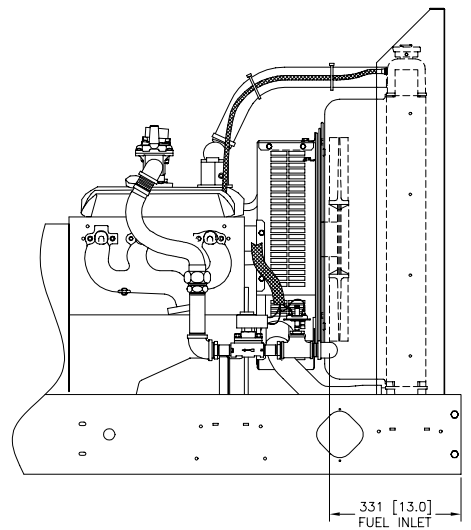
NO.	DATE	BY	CHECKED	APPROVED	SCALE	SHEET
1	8-21-00	SAM			0.18X	2-4
2	6-22-00	CWF				
3	6-22-00	CWF				

ADV-6548

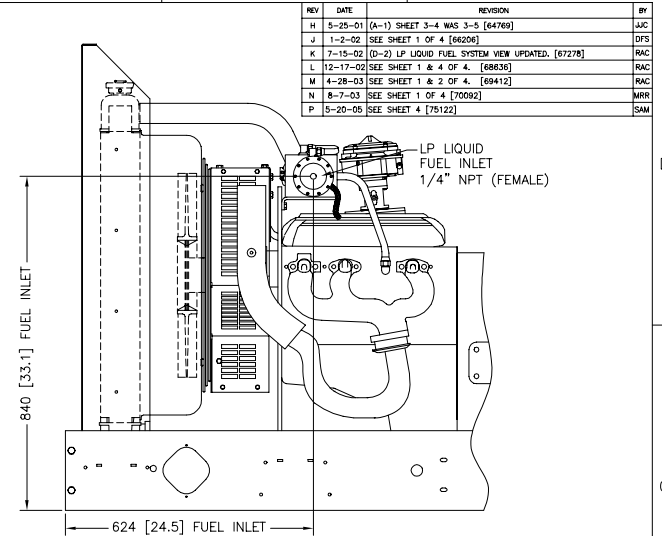


SUGGESTED LOCATION FOR L.P. GAS SUPPLY FLEXIBLE FUEL LINE: 1 IN NPT (MALE)

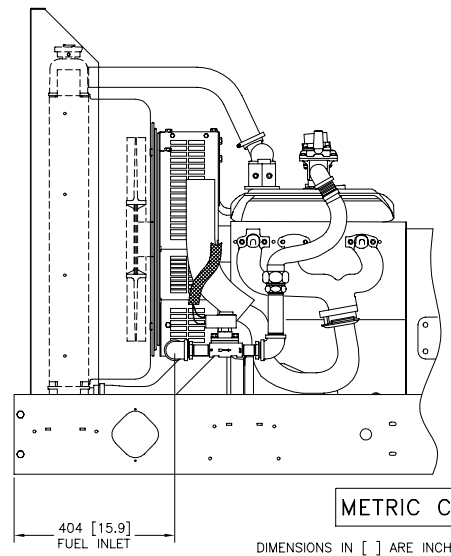
* -ASTERISK DENOTES 1040 [40.9] SKID WIDTH



DUAL FUEL NATURAL GAS & LP GAS



LP LIQUID WITHDRAWAL



METRIC CAD FILE

REV	DATE	REVISION	BY
H	5-25-01	(A-1) SHEET 3-4 WAS 3-5 [64769]	JJC
J	1-2-02	SEE SHEET 1 OF 4 [66206]	DFS
K	7-15-02	(D-2) LP LIQUID FUEL SYSTEM VIEW UPDATED. [67278]	RAC
L	12-17-02	SEE SHEET 1 & 4 OF 4. [68036]	RAC
M	4-28-03	SEE SHEET 1 & 2 OF 4. [69412]	RAC
N	8-7-03	SEE SHEET 1 OF 4 [70092]	MRR
P	5-20-05	SEE SHEET 4 [75122]	SAM

DIMENSIONS IN [] ARE INCH EQUIVALENT

UNLESS OTHERWISE SPECIFIED:
 (1) DIMENSIONS ARE IN MILLIMETERS
 (2) TOLERANCES ARE:
 0.1 & 0.25 SURFACE FINISH
 0.1 ± 0.2 MAX.
 0.5 ± 0.5 MAX.
 ANGLES & 0.750

30 MODEL, 4P5
 35 MODEL, 4P5B/405
 45 MODEL, 4P7B/4P8/4Q10
 RECONNECTABLE,
 IMPROVED MOTOR STARTING (IMS) RECONNECTABLE,
 & 600V ALTERNATOR
 4.3 LITER GM

KOHLER CO.
 POWER SYSTEMS, KOHLER, WI 53044 U.S.A.
 THIS DRAWING IS DESIGN AND TRADE INTELLECTUAL PROPERTY AND
 MUST NOT BE USED WITHOUT THE WRITTEN PERMISSION OF KOHLER CO. WORK
 ALL RIGHTS OF DESIGN OR INVENTION ARE RESERVED.

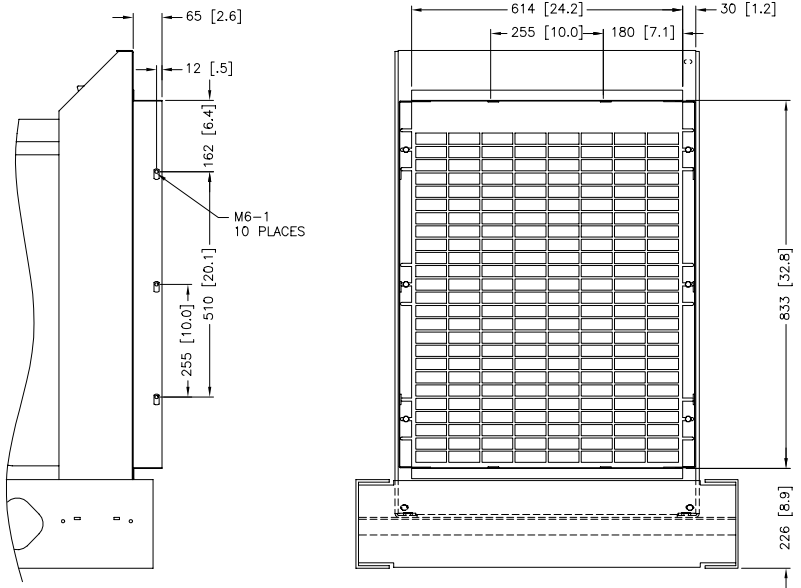
TITLE: DIMENSION PRINT
 30-45 GM

APPROVED: [Signature] DATE: 6-21-00
 DRAWN: SAM 6-21-00
 CHECKED: CWF 6-22-00
 APPROVED: CWF 6-22-00

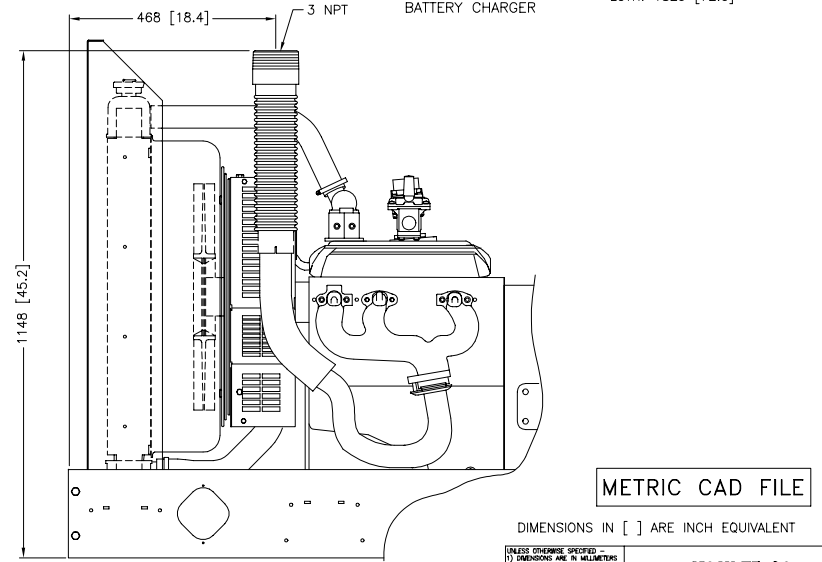
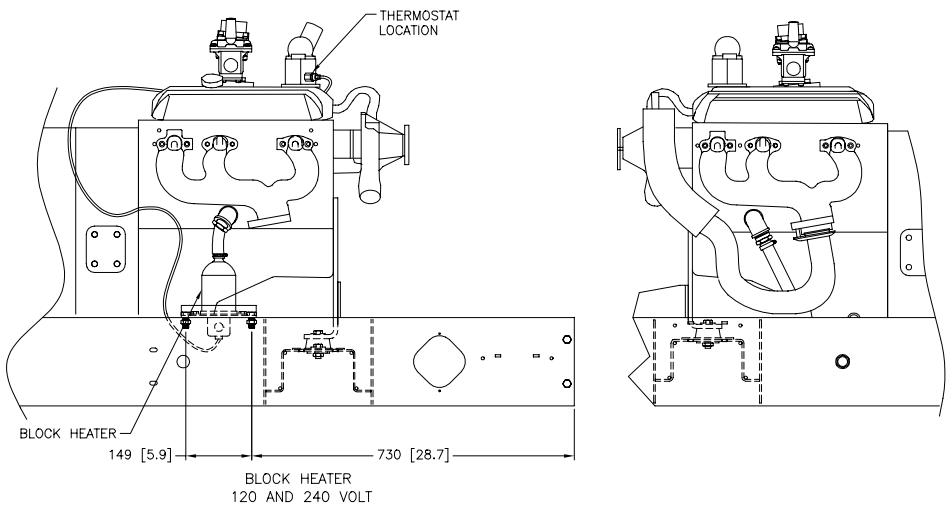
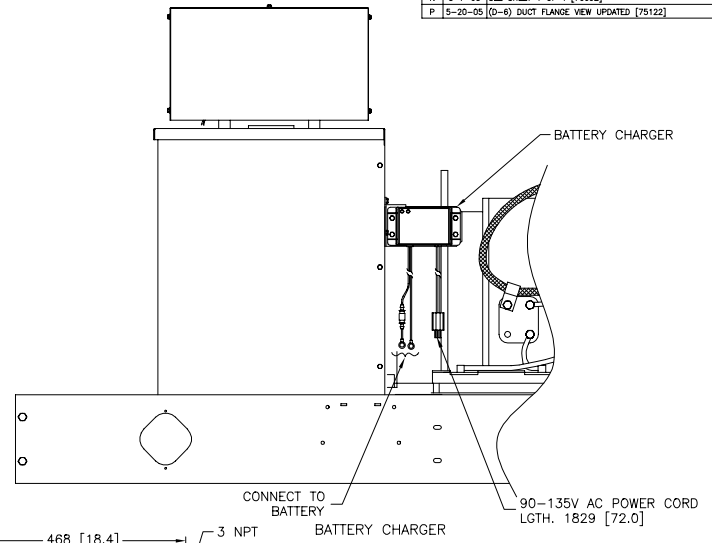
SCALE: 0.18X
 DWG NO: ADV0548C.DWG
 SHEET: 3-4
 FILE NO: ADV-6548

PLotted DATE: ADV-6548

REV	DATE	REVISION	BY
H	5-25-01	(A-1) 4-4 WAS 4-5, SHEET 5 REMOVED [64769]	JJC
J	1-2-02	SEE SHEET 1 OF 4 [66206]	DFS
K	7-18-02	SEE SHEET 3 OF 4 [67278]	RAC
L	12-17-02	(C-2) BATTERY CHARGERS ADDED. [68636]	RAC
M	4-28-03	SEE SH1 1 & 2 OF 4. [69412]	RAC
N	8-7-03	SEE SHEET 1 OF 4 [70092]	WRR
P	5-20-05	(D-6) DUCT FLANGE VIEW UPDATED [75122]	SAM



RADIATOR DUCT FLANGE



DIMENSIONS IN [] ARE INCH EQUIVALENT

UNLESS OTHERWISE SPECIFIED:
 (1) DIMENSIONS ARE IN MILLIMETERS
 (2) TOLERANCES ARE:
 0.3 ± 0.25 SURFACE FINISH
 0.4 ± 1.0 MAX.
 0.5 ± 1.5 MAX.
 ANGLES $\pm 0.30^\circ$

KOHLER CO.
 POWER SYSTEMS, KOHLER, WI 53044 U.S.A.
 THIS DRAWING IS DESIGN AND DRAWING PROPERTY OF KOHLER CO. PROPERTY AND
 SHOT NOT BE USED WITHOUT THE CONSENT OF KOHLER CO. WORK
 ALL RIGHTS OF DESIGN OR INVENTION ARE RESERVED.

30 MODEL, 4P5
35 MODEL, 4P5B/405
45 MODEL, 4P7B/4P8/4Q10
RECONNECTABLE,
IMPROVED MOTOR STARTING (IMS) RECONNECTABLE,
& 600V ALTERNATOR
4.3 LITER GM

APPROVED	DATE	TITLE
	6-21-00	DIMENSION PRINT
DRAWN	6-23-00	30-45 GM
CHECKED	6-23-00	SCALE 0.2X
APPROVED	6-23-00	DWG NO. ADV6548D.DWG SHEET 4-4

ADV-6548