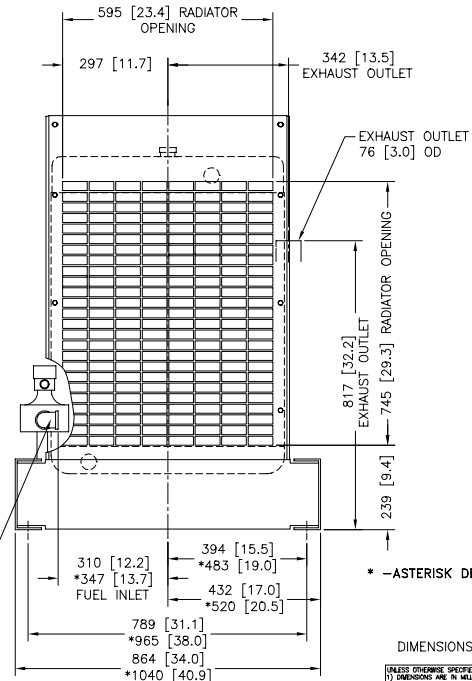
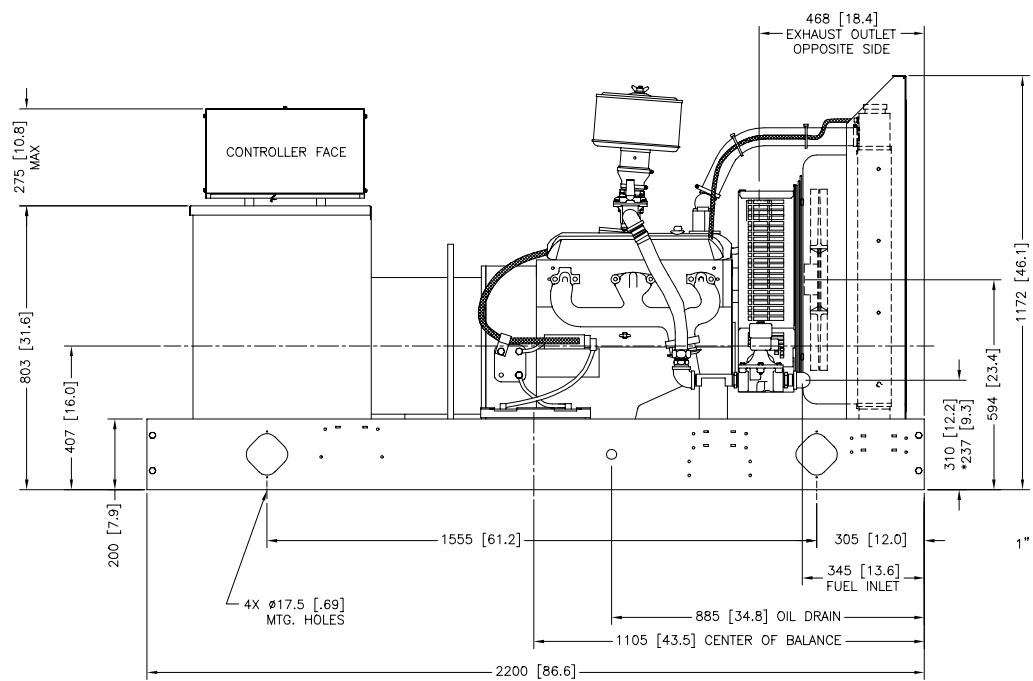
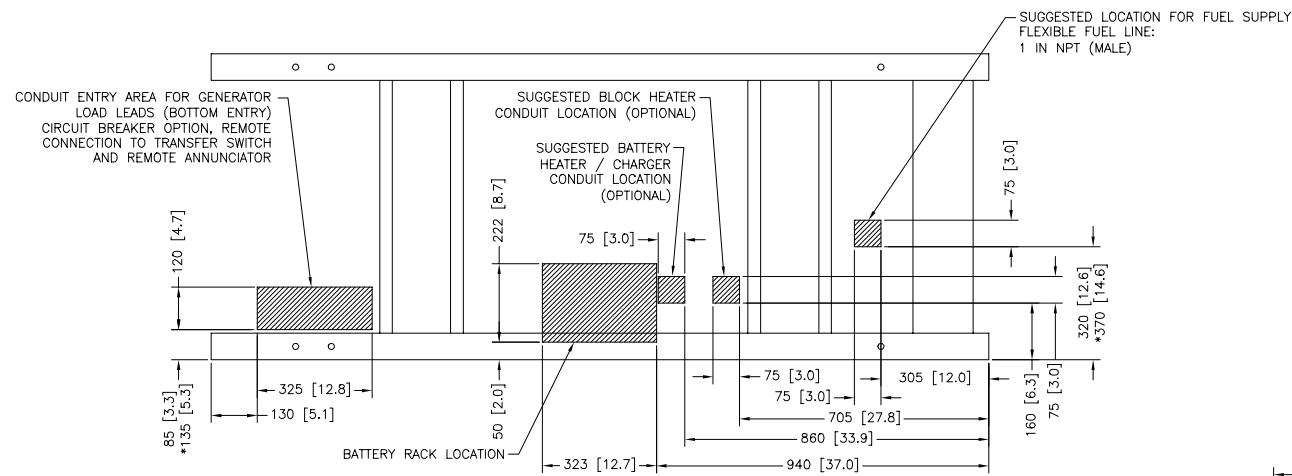


REV	DATE	REVISION	BY
P	12-17-02	STUB-UP CONDUIT LOCATIONS UPDATED, (C-6) BATTERY CHARGING	
		STUB-UP ADDED, (B-1/B-3) SUBBASE TANK NOTES ADDED, [68636]	RAC
R	4-23-03	(B-2) 745 WAS 715, [69413]	
S	8-7-03	(B-1, D-3) ALL REF. TO SUBBASE TANKS REMOVED, [70092]	MMR
T	5-23-05	SEE SHEET 4 [75122]	SAM



MODEL	WEIGHT (WET)
50	712 KG [1570 LBS]
60	755 KG [1665 LBS]

\* -ASTERISK DENOTES 1040 [40.9] SKID WIDTH

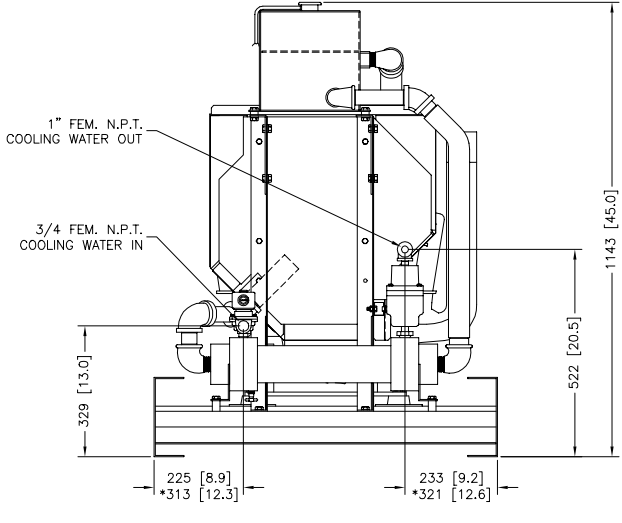
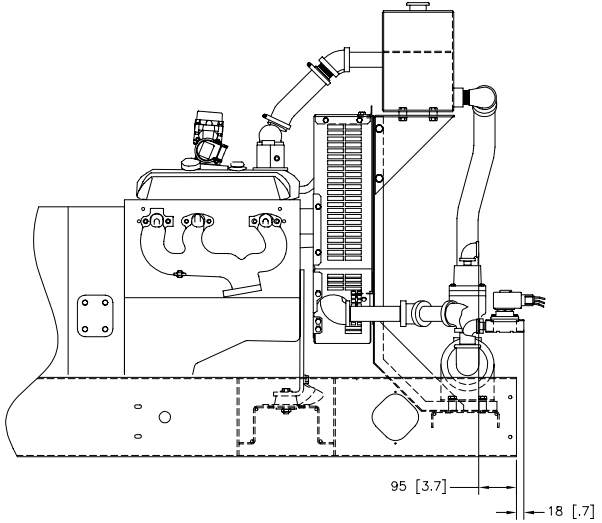
METRIC CAD FILE

DIMENSIONS IN [ ] ARE INCH EQUIVALENT

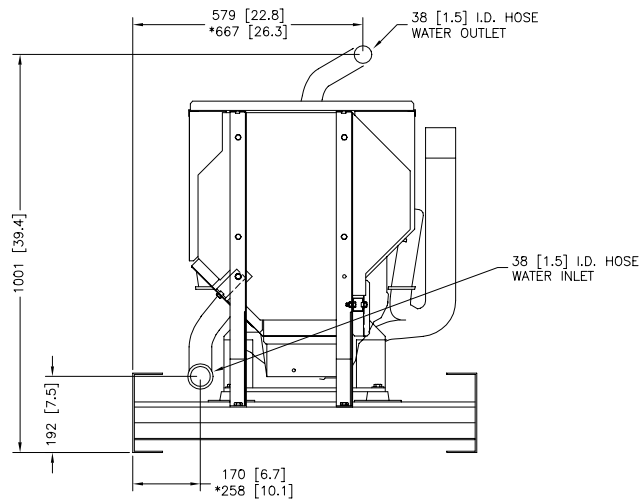
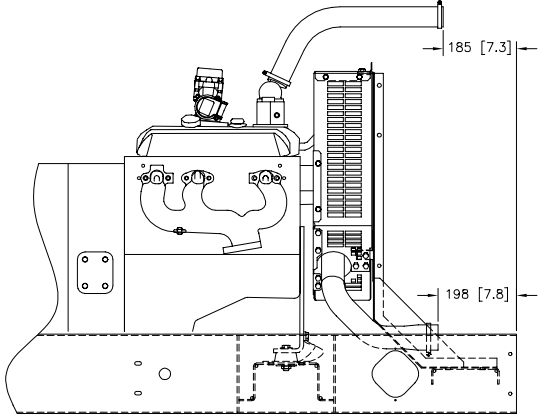
50 MODEL, 4PB  
60 MODEL, 4P10  
RECONNECTABLE & 600V ALTERNATOR  
5.0 & 5.7 LITER GM

UNLESS OTHERWISE SPECIFIED: 1) DIMENSIONS ARE IN MILLIMETERS 2) TOLERANCES ARE: X < 3.00 SURFACE FINISH X < 1.0 MAX. X > 1.0 MAX. ANGLES < 90°		<b>KOHLER CO.</b> POWER SYSTEMS, KOHLER, WI 53044 U.S.A. THIS DRAWING IS EITHER THE PROPERTY OF KOHLER CO. OR PROPERTY OF THE USER WHO HAS LOANED IT FROM KOHLER CO. IT IS NOT TO BE REPRODUCED OR TRANSMITTED IN ANY FORM OR BY ANY MEANS, ELECTRONIC OR MECHANICAL, INCLUDING PHOTOCOPYING, RECORDING, OR BY ANY INFORMATION STORAGE AND RETRIEVAL SYSTEM, WITHOUT PERMISSION IN WRITING FROM KOHLER CO. ALL RIGHTS OF DESIGN OR INVENTION ARE RESERVED.	
DIMENSION PRINT <b>50/60 GM 4PB/10</b>		TITLE <b>ADV-6549</b>	
DRAWN: SAM CHECKED: CF APPROVED: CF	DATE: 2-23-00 2-28-00 2-28-00	SCALE: 0.16X DWG NO.: ADV6549A.DWG SHEET: 1-4	PLOTTED DATE:

REV	DATE	REVISION	BY
L	6-1-01	(A-1) SHEET 2-4 WAS 2-5 [64768]	JJC
M	8-10-01	(A-3) 5.0 & 5.7 LITER GM WAS 5.7 LITER GM [65354]	DFS
N	1-2-02	SEE SHEET 1 OF 4 [66206]	DFS
P	12-17-02	SEE SHEET 1 & 4 OF 4. [68636]	RAC
R	4-23-03	SEE SHEET 1 OF 4 [69413]	RAC
S	8-7-03	SEE SHEET 1 OF 4 [70092]	MRR
T	5-23-05	SEE SHEET 4 [75122]	SAM



CITY WATER COOLED



REMOTE RADIATOR

\* -ASTERISK DENOTES 1040 [40.9] SKID WIDTH

METRIC CAD FILE

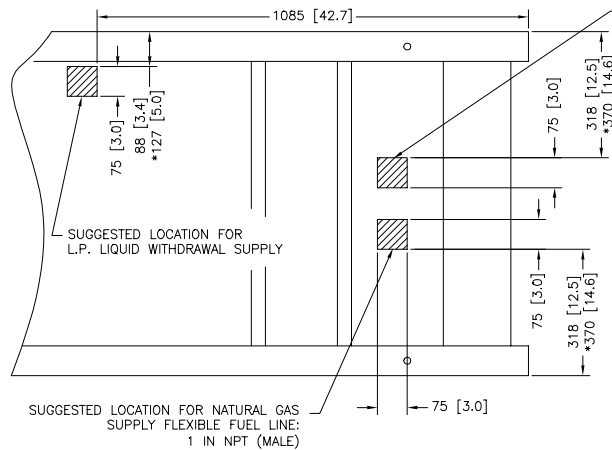
DIMENSIONS IN [ ] ARE INCH EQUIVALENT

UNLESS OTHERWISE SPECIFIED: 1) DIMENSIONS ARE IN MILLIMETERS 2) TOLERANCES ARE: X <math>0.30</math> X <math>1.0</math> X <math>1.5</math> ANGLES <math>0.750</math>		SURFACE FINISH ✓ MAX.	
APPROVED	DATE	TITLE	
DRAWN	SAM	SCALE	0.18X
CHECKED	CWF	DATE	6-15-00
APPROVED	CWF	DATE	6-15-00

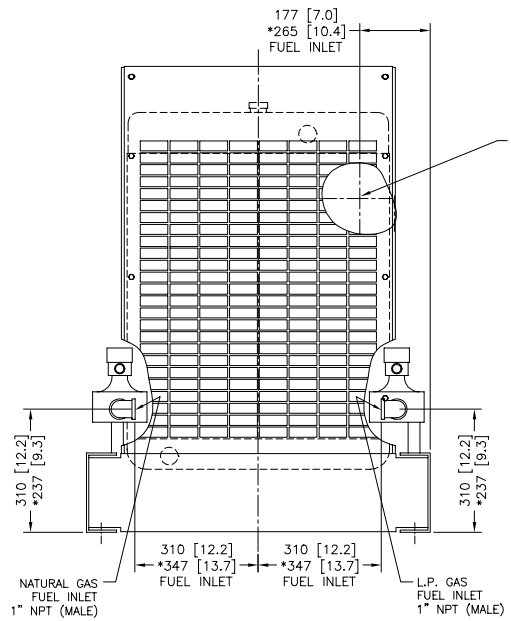
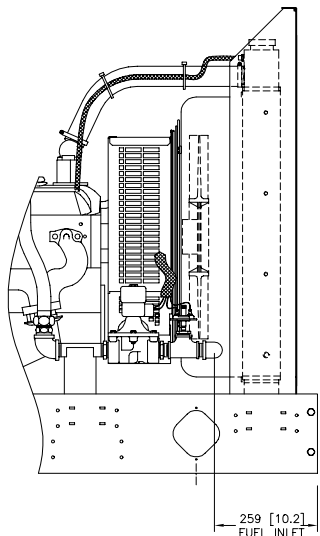
**KOHLER CO.**  
POWER SYSTEMS, KOHLER, WI 53044 U.S.A.  
THIS DRAWING IS DESIGN AND TRADE SE PROPERTY AND  
SHOULD NOT BE USED WITHOUT THE CONSENT OF KOHLER CO. WORK  
ALL RIGHTS OF DESIGN OR INVENTION ARE RESERVED.

**DIMENSION PRINT**  
50/60 GM 4P8/10  
SHEET 2-4  
ADV-6549

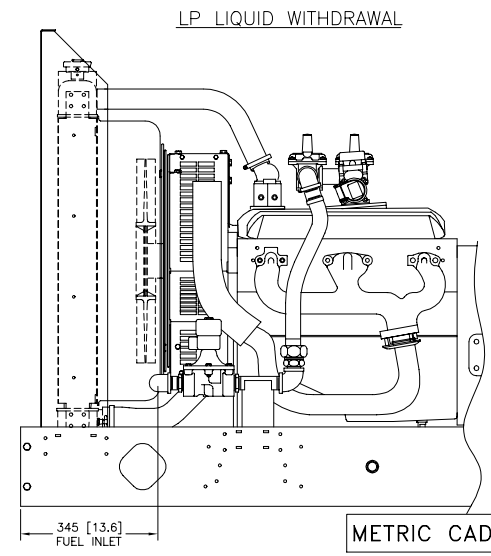
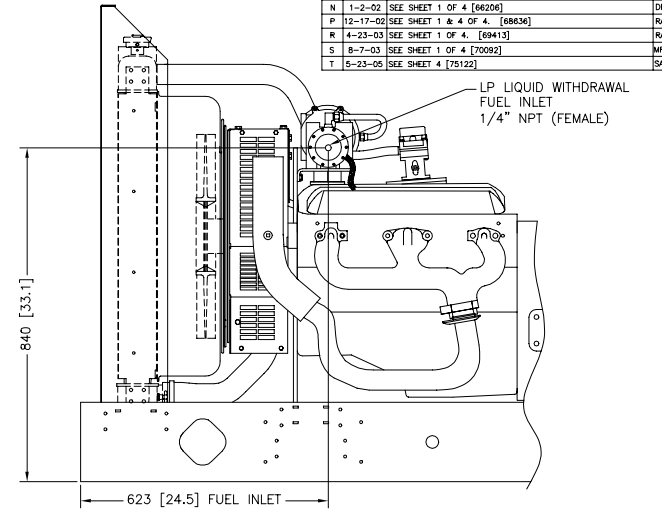
50 MODEL, 4P8  
60 MODEL, 4P10  
RECONNECTABLE  
& 600V ALTERNATOR  
5.0 & 5.7 LITER GM



\* -ASTERISK DENOTES 1040 [40.9] SKID WIDTH



DUAL FUEL NATURAL GAS & LP GAS



METRIC CAD FILE

REV	DATE	REVISION	BY
L	6-4-01	(A-1) SHEET 3-4 WAS 3-5 [64769]	JJC
M	8-10-01	(A-3) 5.0 & 5.7 LITER GM WAS 5.7 LITER GM [63364]	DFS
N	1-2-02	SEE SHEET 1 OF 4 [66206]	DFS
P	12-17-02	SEE SHEET 1 & 4 OF 4. [68636]	RAC
R	4-23-03	SEE SHEET 1 OF 4. [69413]	RAC
S	8-7-03	SEE SHEET 1 OF 4 [70092]	MWR
T	5-23-05	SEE SHEET 4 [75122]	SAM

DIMENSIONS IN [ ] ARE INCH EQUIVALENT

UNLESS OTHERWISE SPECIFIED:  
 (1) DIMENSIONS ARE IN MILLIMETERS  
 (2) TOLERANCES ARE:  
 FRA ± 0.25 SURFACE FINISH  
 1/4" ± 1.0 MAX.  
 1/2" ± 1.5 MAX.  
 ANGLES ± 0.30°

**KOHLER CO.**  
 POWER SYSTEMS, KOHLER, WI 53044 U.S.A.  
 THIS DRAWING IS DESIGN AND TRADE SE PROPERTY OF KOHLER CO. WORK SHALL BE USED ONLY IN CONNECTION WITH KOHLER CO. WORK. ALL RIGHTS OF DESIGN OR INVENTION ARE RESERVED.

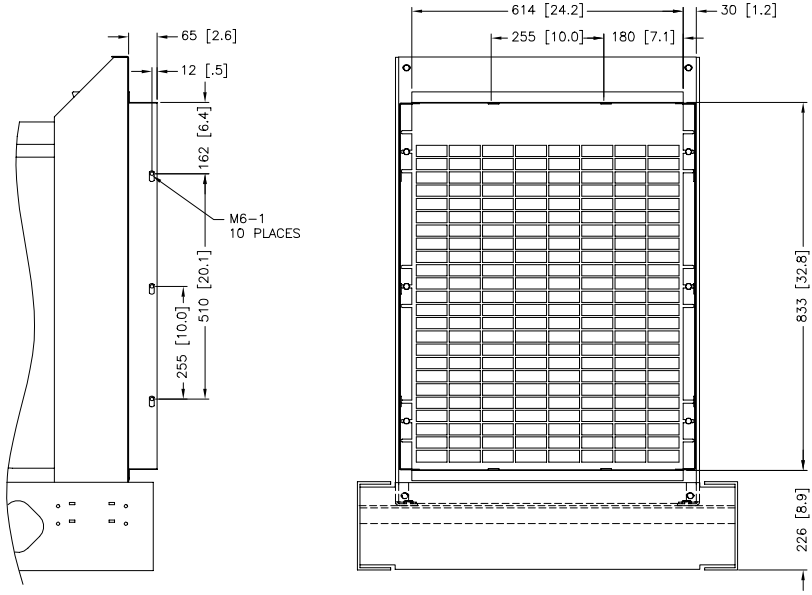
50 MODEL, 4PB  
 60 MODEL, 4P10  
 RECONNECTABLE & 600V ALTERNATOR  
 5.0 & 5.7 LITER GM

APPROVED: [Signature] DATE: 6-15-00  
 DRAWN: SAM 6-15-00  
 CHECKED: CWF 6-15-00  
 APPROVED: CWF 6-15-00

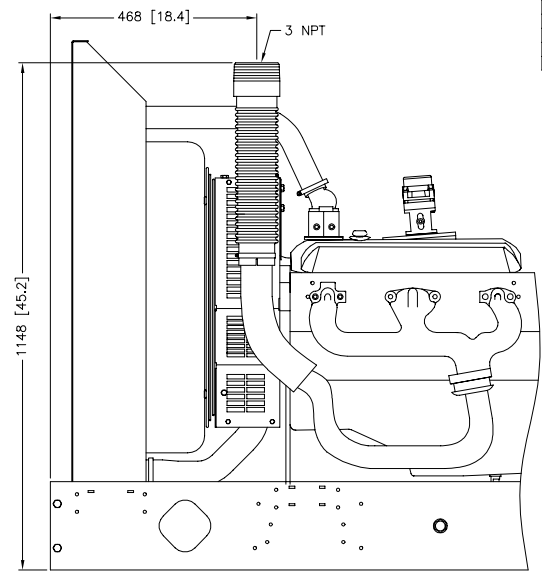
TITLE: DIMENSION PRINT  
 50/60 GM 4PB/10

SCALE: 0.18X  
 SHEET: 3-4  
 FILE NO.: ADV-6549

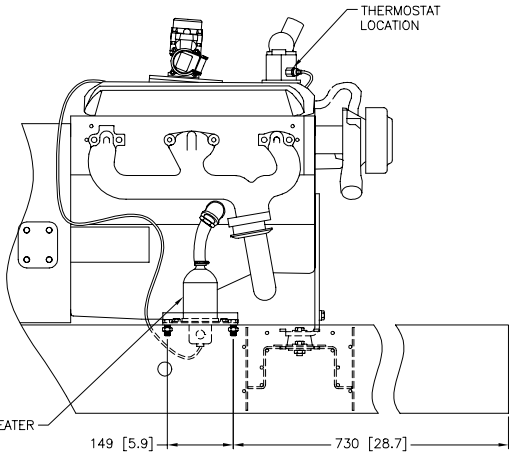
PLOTTED DATE: ADV-6549



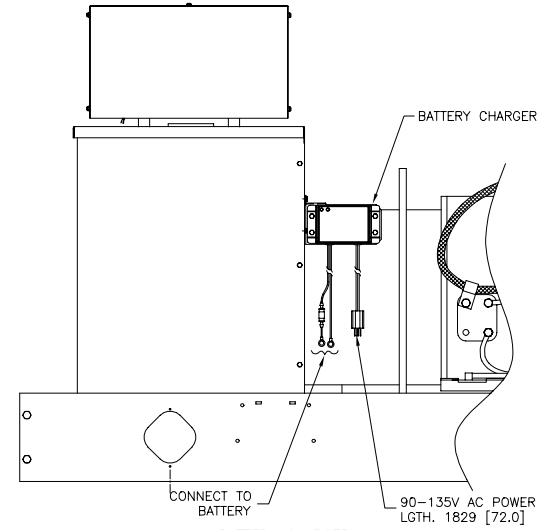
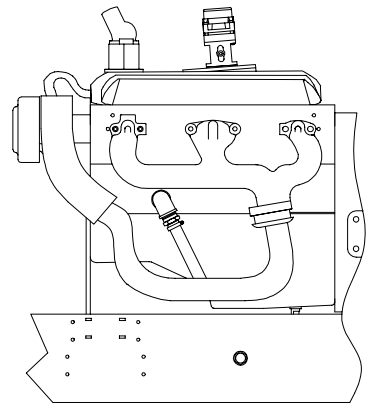
RADIATOR DUCT FLANGE



FLEX EXHAUST



BLOCK HEATER  
120 AND 240 VOLT



BATTERY CHARGER

REV	DATE	REVISION	BY
L	6-4-01	(A-1) SHEET 4-4 WAS 4-5; SHEET 5 REMOVED [64769]	JJC
M	8-10-01	(A-3) 5.0 & 5.7 LITER GM WAS 5.7 LITER GM [65304]	DFS
N	1-2-02	SEE SHEET 1 OF 4 [66206]	DFS
P	12-17-02	(A-3) BATTERY CHARGER ADDED [68636]	RAC
R	4-23-03	SEE SHEET 1 OF 4 [69413]	RAC
S	8-7-03	SEE SHEET 1 OF 4 [70092]	MRR
T	5-23-05	(B-7) DUCT FLANGE VIEW UPDATED [75122]	SAM

METRIC CAD FILE

DIMENSIONS IN [ ] ARE INCH EQUIVALENT

UNLESS OTHERWISE SPECIFIED:  
1) DIMENSIONS ARE IN MILLIMETERS  
2) TOLERANCES ARE:  
X.X ± 0.25 SURFACE FINISH  
X.X ± 1.0 ✓ MAX.  
X ± 1.5  
ANGLES ± 0.30°

**KOHLER CO.**  
POWER SYSTEMS, KOHLER, WI 53044 U.S.A.  
THIS DRAWING IS DESIGN AND TRADE INTELLECTUAL PROPERTY AND  
SHOULD NOT BE USED WITHOUT THE CONSENT OF KOHLER CO. WORK  
ALL RIGHTS OF DESIGN OR INVENTION ARE RESERVED.

50 MODEL 4P8  
60 MODEL 4P10  
RECONNECTABLE & 600V ALTERNATOR  
5.0 & 5.7 LITER GM

**DIMENSION PRINT**  
50/60 GM 4P8/10

APPROVED	DATE	TITLE
SAM	6-15-00	50/60 GM 4P8/10
CWF	6-15-00	REV. NO.
CWF	6-15-00	REV. NO.

SCALE: 0.2X  
SHEET: 4-4

ADV549D.DWG  
ADV-6549