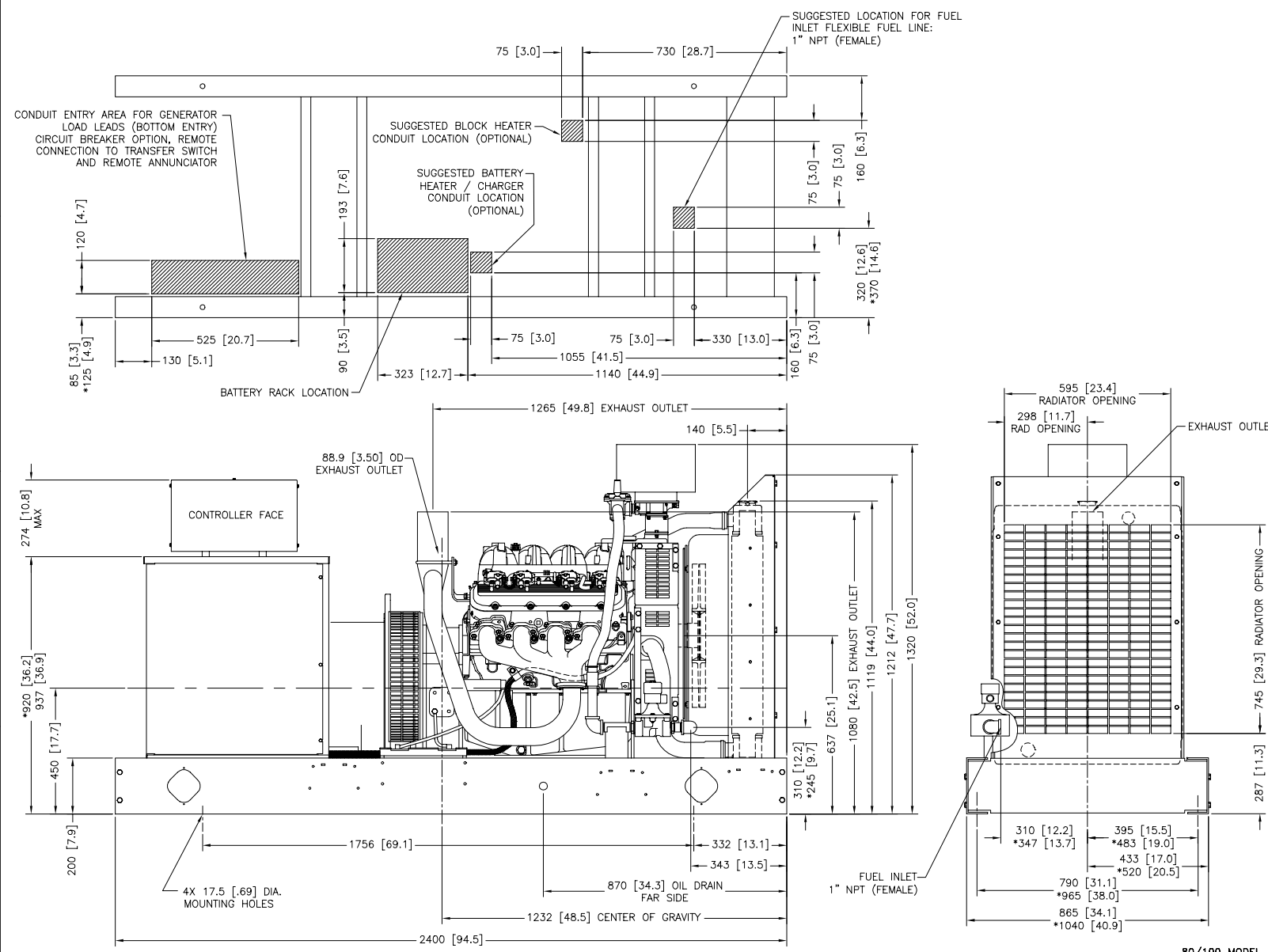


| REV | DATE | REVISION | BY |
|-----|----------|---|-----|
| K | 12-16-02 | STUB-UP CONDUIT LOCATIONS UPDATED, (C-6) BATTERY CHARGING | |
| | | STUB-UP ADDED, (B-1/D-3) SUBBASE TANK NOTES ADDED. | |
| | | (68636) | RAC |
| L | 4-24-03 | (C-3) 595 WAS 670 & 298 WAS 335, (B-2) 745 WAS 715. | |
| | | (69414) | RAC |
| M | 8-27-03 | (B-1.0-3.6) ALL REF. TO SUBBASE TANKS REMOVED, (70092) | MRR |
| N | 5-23-05 | SEE SHEET 4 (75122) | SAM |



* -ASTERISK DENOTES 1040 [40.9] SKID WIDTH
 GENSET WEIGHT MAX. (WET): 1100 KG [2425 LBS.]

METRIC CAD FILE

DIMENSIONS IN [] ARE INCH EQUIVALENT

UNLESS OTHERWISE SPECIFIED:
 (1) DIMENSIONS ARE IN MILLIMETERS
 (2) TOLERANCES ARE:
 0.13 ± 0.25 SURFACE FINISH
 0.13 ± 0.25 MAX.
 ANGLES & 0.750'

APPROVED: [Signature] DATE: [Blank]

DRAWN: SAM 6-1-00
 CHECKED: KOW 6-2-00
 APPROVED: JAS 6-2-00

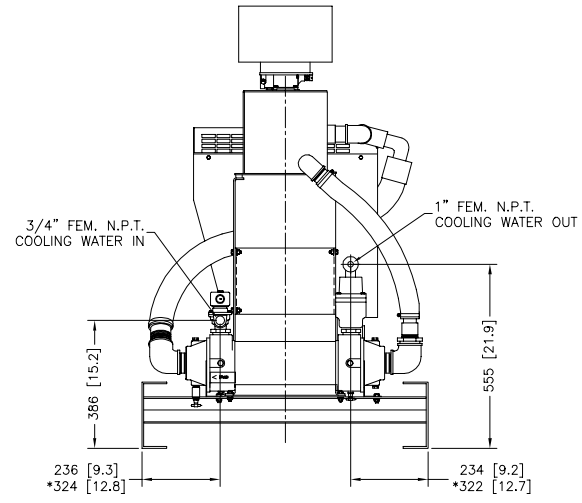
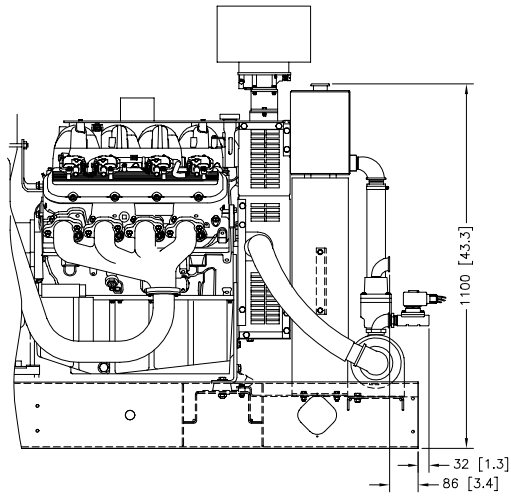
TITLE: DIMENSION PRINT 80/100 MODELS

SCALE: 0.2X
 SHEET: 1-4
 FILE NO.: ADV567A.DWG
 PLOTTED DATE: ADV-6567

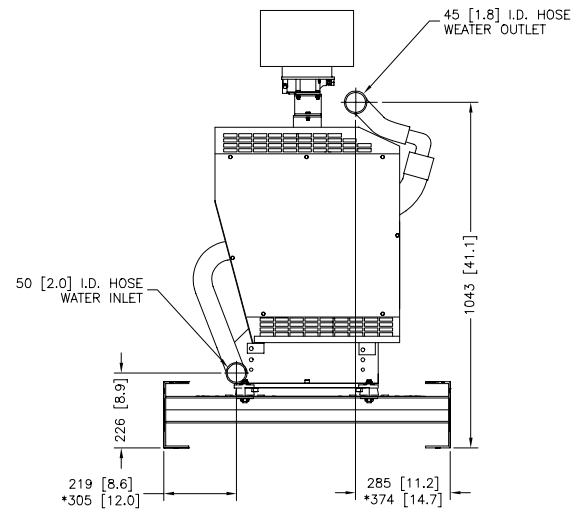
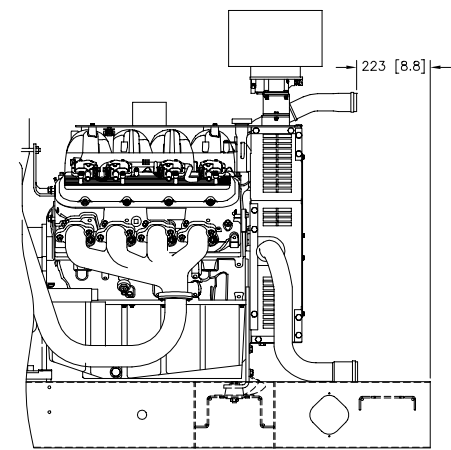
POWER SYSTEMS, KOHLER, WI 53044 U.S.A.
 THIS DRAWING IS DESIGN AND DRAWN BY KOHLER CO. PROPERTY AND
 SHOULD NOT BE USED WITHOUT THE CONSENT OF KOHLER CO. WORK
 ALL RIGHTS OF DESIGN OR INVENTION ARE RESERVED.

80/100 MODEL
 RECONNECTABLE & 600 V ALTERNATOR
 8.1 LITER GM

| REV | DATE | REVISION | BY |
|-----|----------|--------------------------------------|-----|
| C | 4-19-01 | (D-2) ASTERISK NOTE UPDATED; [64619] | KDW |
| H | 6-6-01 | (A-1) SHEET 2-4 WAS 2-5 [64769] | JJC |
| J | 1-2-02 | SEE SHEET 1 OF 4 [66206] | DJS |
| K | 12-17-02 | SEE SHEET 1 & 4 OF 4. [68636] | RAC |
| L | 4-24-03 | (B-3) AS WAS 63. [69414] | RAC |
| M | 8-27-03 | SEE SHEET 1 OF 4 [70092] | MRR |
| N | 5-23-05 | SEE SHEET 4 [75122] | SAM |



CITY WATER COOLED



REMOTE RADIATOR

* -ASTERISK DENOTES 1040 [40.9] SKID WIDTH.

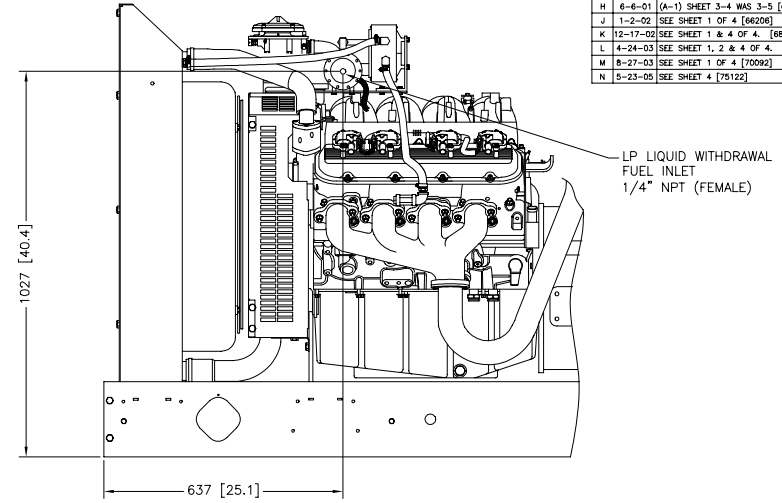
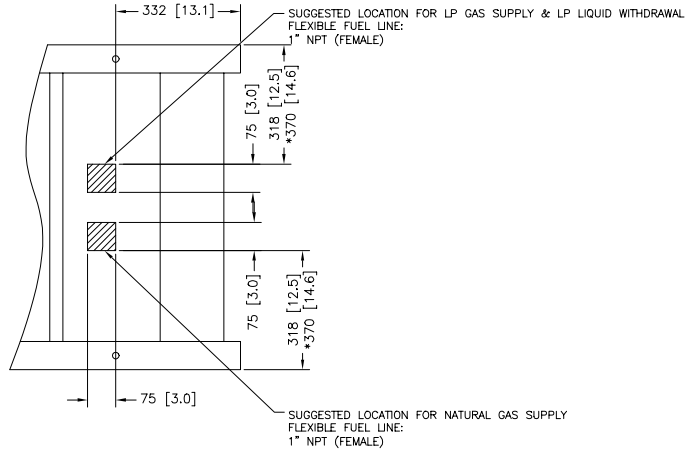
METRIC CAD FILE

DIMENSIONS IN [] ARE INCH EQUIVALENT

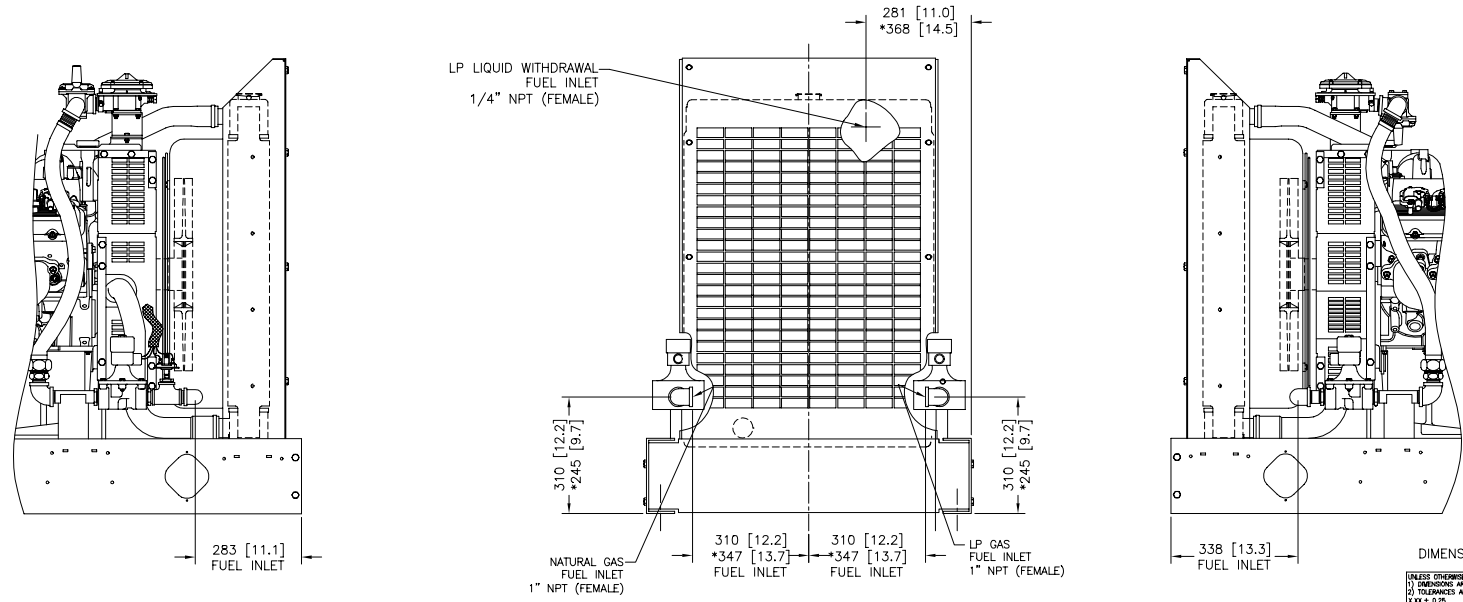
| | | | |
|--|--|--|--|
| UNLESS OTHERWISE SPECIFIED: 1) DIMENSIONS ARE IN MILLIMETERS 2) TOLERANCES ARE: L & T SURFACE FINISH F = MAX. A = ANGLES & Ø30' | | KOHLER CO. POWER SYSTEMS, KOHLER, WI 53044 U.S.A. THIS DRAWING IS DESIGN AND TRADE SE PROPERTY AND NOT BE USED WITHOUT THE CONSENT OF KOHLER CO. WORK ALL RIGHTS OF DESIGN OR INVENTION ARE RESERVED. | |
| TITLE: DIMENSION PRINT 80/100 MODELS | | DRAWN: SAM 9-18-00 CHECKED: KDW 10-26-00 APPROVED: JAS 10-26-00 | |
| PART NO. ADV6567B.DWG SHEET 2-4 | | PLOTTED DATE: ADV-6567 | |

80/100 MODEL
 RECONNECTABLE & 600 V ALTERNATOR
 8.1 LITER GM

| REV | DATE | REVISION | BY |
|-----|----------|-------------------------------------|-----|
| G | 4-19-01 | (C-B) ASTERISK NOTE UPDATED [64619] | KDW |
| H | 6-6-01 | (A-1) SHEET 3-4 WAS 3-5 [64769] | JJC |
| J | 1-2-02 | SEE SHEET 1 OF 4 [66206] | DFS |
| K | 12-17-02 | SEE SHEET 1 & 4 OF 4. [68636] | RAC |
| L | 4-24-03 | SEE SHEET 1, 2 & 4 OF 4. [69414] | RAC |
| M | 8-27-03 | SEE SHEET 1 OF 4 [70092] | MRR |
| N | 5-23-05 | SEE SHEET 4 [75122] | SM |



LP LIQUID WITHDRAWAL



DUAL FUEL NATURAL GAS & LP GAS

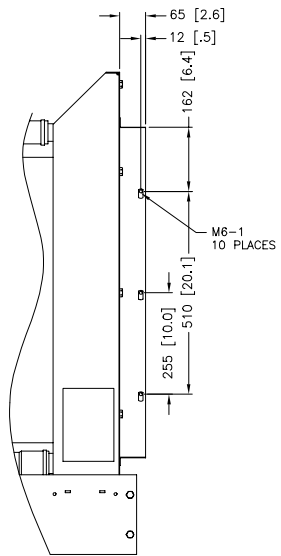
METRIC CAD FILE

DIMENSIONS IN [] ARE INCH EQUIVALENT

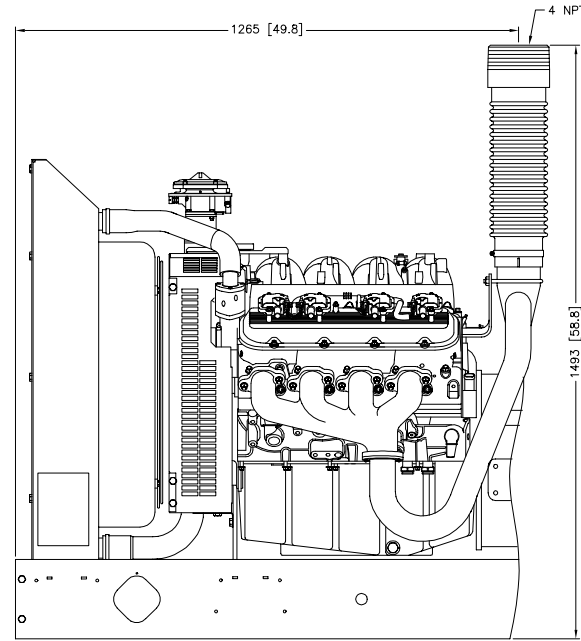
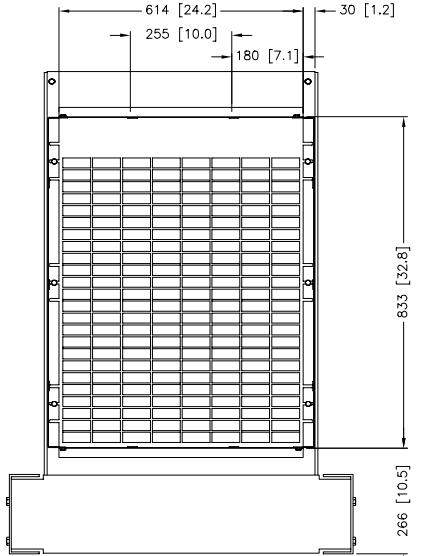
* -ASTERISK DENOTES 1040 [40.9] SKID WIDTH.

| | | | |
|---|--|---|--|
| UNLESS OTHERWISE SPECIFIED: 1) DIMENSIONS ARE IN MILLIMETERS 2) TOLERANCES ARE: L & T ± 0.25 SURFACE FINISH L & T ± 1.0 MAX. R ± 1.5 ANGLES ± 0.30° | | KOHLER CO. POWER SYSTEMS, KOHLER, WI 53044 U.S.A. THIS DRAWING IS DESIGN AND TRADE PROPERTY OF KOHLER CO. NO PART MAY BE USED WITHOUT THE WRITTEN PERMISSION OF KOHLER CO. ALL RIGHTS OF DESIGN OR INVENTION ARE RESERVED. | |
| TITLE: DIMENSION PRINT 80/100 MODELS APPROVED: [Signature] DATE: | | SHEET: 0.17X DWG NO: ADV567C.DWG SHEET: 3-4 FILE NO: ADV-6567 | |
| DRAWN: SAM CHECKED: KDW APPROVED: JAS | DATE: 9-8-00 DATE: 10-26-00 DATE: 10-26-00 | PLOTTED DATE: | |

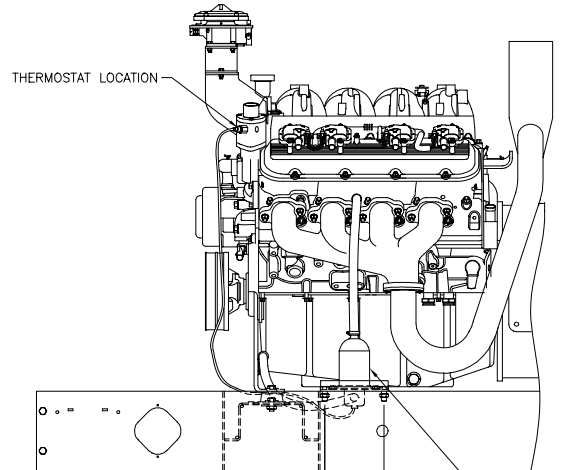
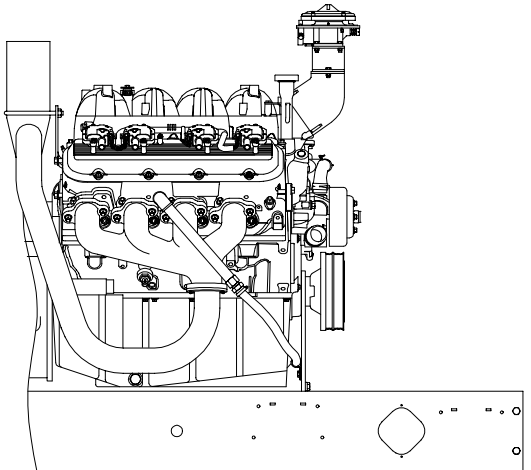
80/100 MODEL RECONNECTABLE & 600 V ALTERNATOR 8.1 LITER GM



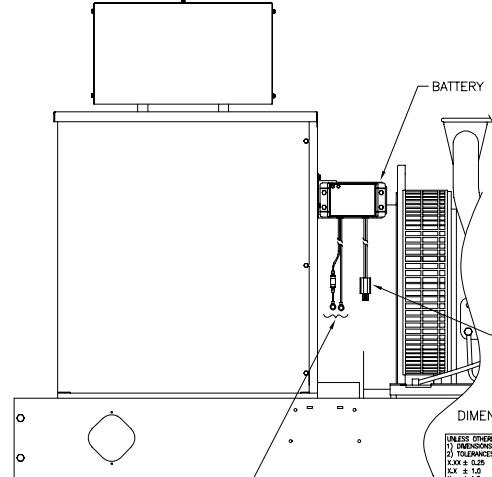
RADIATOR DUCT FLANGE



FLEXIBLE EXHAUST



BLOCK HEATER



CONNECT TO BATTERY

BATTERY CHARGER

| REV | DATE | REVISION | BY |
|-----|----------|--|-----|
| G | 4-19-01 | SEE SHEETS 1,2,3,4,5 OF 5 [64819] | KDW |
| H | 6-6-01 | (A-1) SHEET 4-4 WAS 4-5; SHEET 5 REMOVED [64769] | JJC |
| J | 1-2-02 | SEE SHEET 1 OF 4 [66206] | DF3 |
| K | 12-17-02 | (A-2) BATTERY CHARGER ADDED [68636] | RAC |
| L | 4-24-03 | (D-6) 614 WAS 681 & 30 WAS 34. [69414] | RAC |
| M | 8-27-03 | SEE SHEET 1 [70092] | MRR |
| N | 5-23-05 | (D-7) DUCT FLANGE VIEW UPDATED [75122] | SAM |

METRIC CAD FILE

DIMENSIONS IN [] ARE INCH EQUIVALENT

UNLESS OTHERWISE SPECIFIED:
 1) DIMENSIONS ARE IN MILLIMETERS
 2) TOLERANCES ARE:
 FRA ± 0.25 SURFACE FINISH
 1/4 ± 1.0 MAX.
 1/2 ± 1.5
 ANGLES ± 0.30°

KOHLER CO.
 POWER SYSTEMS, KOHLER, WI 53044 U.S.A.
 THIS DRAWING IS DESIGN AND TRADE-SE PROPERTY AND
 SHOULD NOT BE USED WITHOUT PERMISSION FROM KOHLER CO. WORK
 ALL RIGHTS OF DESIGN OR INVENTION ARE RESERVED.

| NO. | DESCRIPTION | DATE | TITLE |
|--------------|-------------|----------|--|
| APPROVED | | | |
| DRAWN | SAM | 9-8-00 | DIMENSION PRINT 80/100 MODELS 80/100 MODEL RECONNECTABLE & 600 V ALTERNATOR 8.1 LITER GM ADV-6567 |
| CHECKED | KDW | 10-26-00 | |
| APPROVED | JAS | 10-26-00 | |
| PLOTTED DATE | | | |