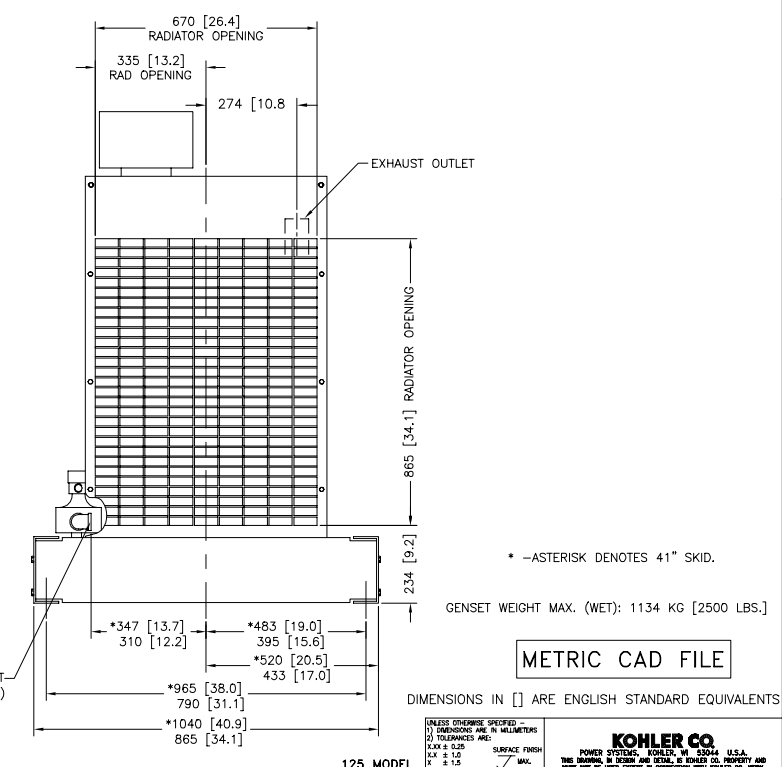
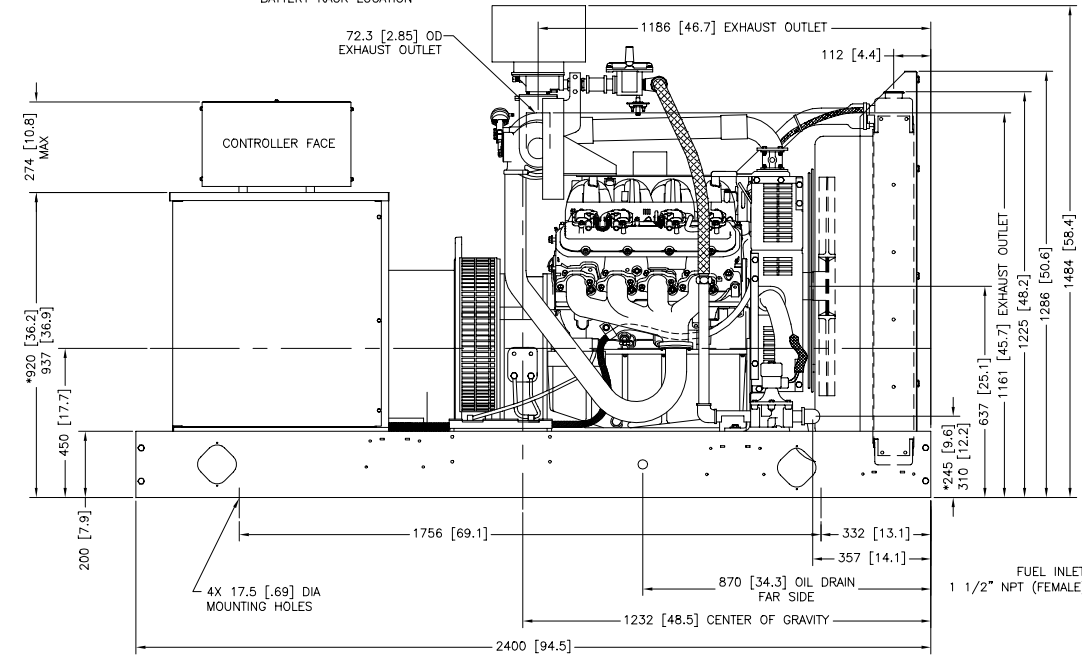
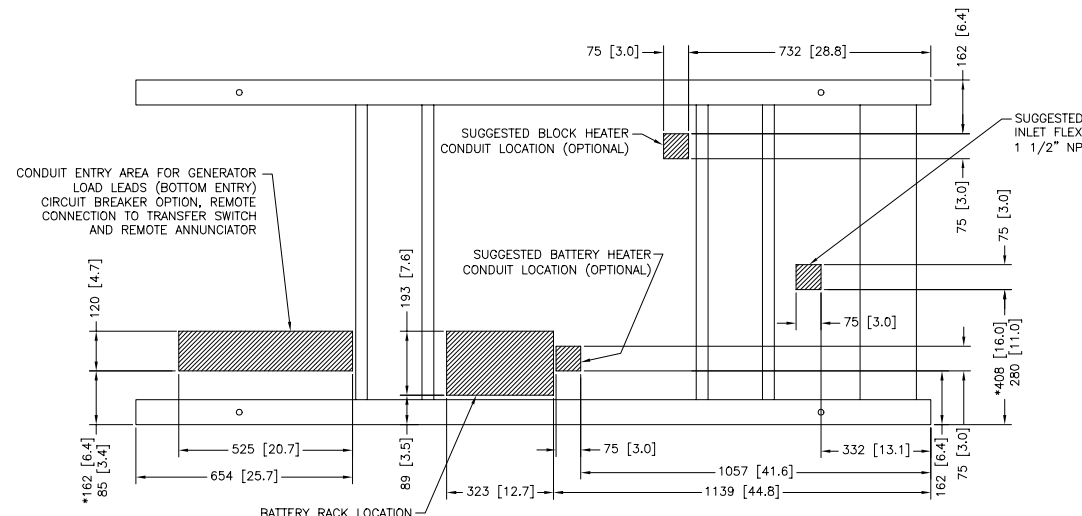


REV	DATE	REVISION	BY
H	10-28-03	STUB UP CONDUIT LOCATIONS REDIMENSIONED FROM EDGE OF	
		SKID; (A-2) MODEL DESCRIPTIONS UPDATED [700992]	SAM
J	5-3-04	(C-7) S25 DIM ADDED, (A-2) 4V11 1PH ADDED. [72230]	RAC
K	8-25-04	SEE SHEET # OF 4. [33225]	GRF
L	5-10-05	(C-8) AS [3.4] WAS 50 [1.9] [75099]	SAM
M	9-7-05	SEE SHEET 4 [75122]	SAM



\* -ASTERISK DENOTES 41° SKID.  
 GENSET WEIGHT MAX. (WET): 1134 KG [2500 LBS.]

**METRIC CAD FILE**

DIMENSIONS IN [ ] ARE ENGLISH STANDARD EQUIVALENTS

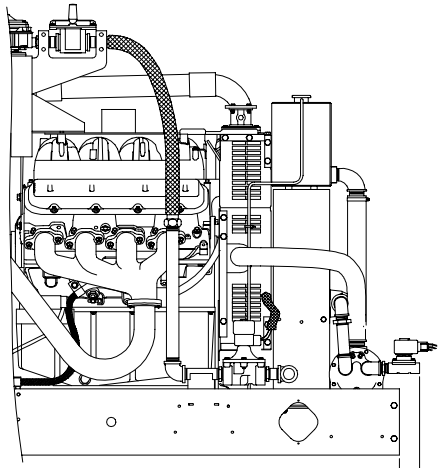
125 MODEL  
 4V11 1PH/4S11/4S13  
 RECONNECTABLE,  
 IMPROVED MOTOR STARTING (IMS) RECONNECTABLE  
 AND 600 VOLT ALTERNATORS  
 8.1 LITER GM

UNLESS OTHERWISE SPECIFIED:  
 1) DIMENSIONS ARE IN MILLIMETERS  
 2) TOLERANCES ARE:  
 H & L ± 0.25 SURFACE FINISH  
 H & L ± 1.0 MAX.  
 H & L ± 1.5 MAX.  
 ANGLES ± 0.50°

**KOHLER CO.**  
 POWER SYSTEMS, KOHLER, WI 53044 U.S.A.  
 THIS DRAWING IS DESIGN AND TRADE INTELLECTUAL PROPERTY AND  
 MUST NOT BE USED WITHOUT THE CONSENT OF KOHLER CO. WORK  
 ALL RIGHTS OF DESIGN OR INVENTION ARE RESERVED.

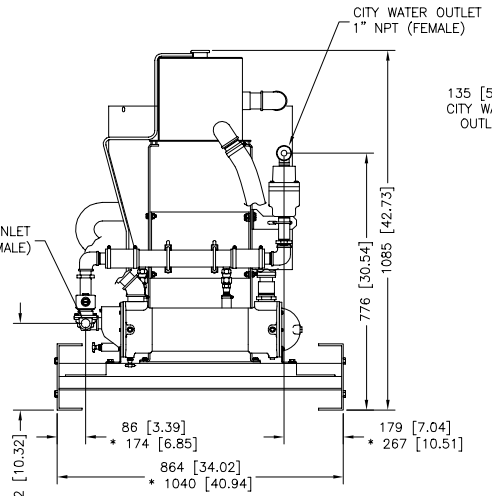
APPROVED: [Signature] DATE: [Blank]  
 DRAWN: LRH DATE: 5-9-01  
 CHECKED: KOW DATE: 5-21-01  
 APPROVED: JAS DATE: 5-21-01

TITLE: DIMENSION PRINT  
 125 MODEL  
 SCALE: 1:5X  
 DWG NO: ADV6653A.DWG SHEET: 1-4  
 PROJ. NO: ADV-6653



CITY WATER INLET  
3/4" NPT (FEMALE)

61 [2.42]  
CITY WATER INLET

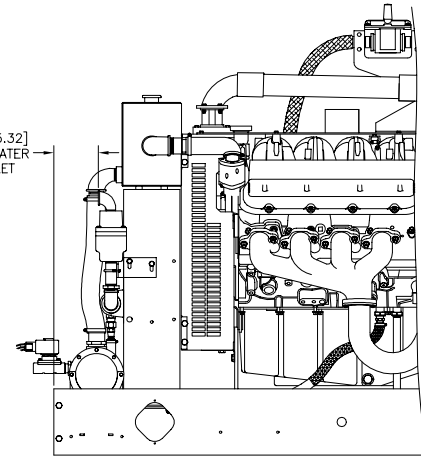


CITY WATER OUTLET  
1" NPT (FEMALE)

135 [5.32]  
CITY WATER OUTLET

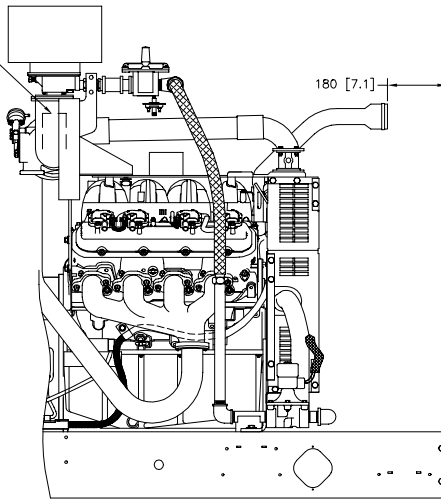
776 [30.54]  
1085 [42.73]  
262 [10.32]  
86 [3.39]  
\* 174 [6.85]  
864 [34.02]  
\* 1040 [40.94]  
179 [7.04]  
\* 267 [10.51]

CITY WATER HEAT EXCHANGER COOLING

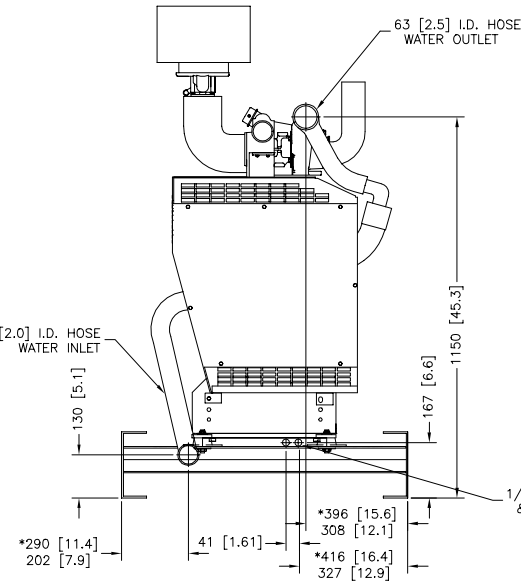


REV	DATE	REVISION	BY
H	10-28-03	SEE SHEET 1 (A-2) MODEL DESCRIPTIONS UPDATED [70092]	SAM
J	5-3-04	(A-2) 4V11 1PH ADDED, [72230]	RAC
K	8-25-04	SEE SHEET 4 OF 4, [73025]	GPH
L	5-10-05	SEE SHEET 1 [75099]	SAM
M	9-7-05	SEE SHEET 4 [75122]	SAM

72.3 [2.85] OD  
EXHAUST OUTLET



180 [7.1]



63 [2.5] I.D. HOSE  
WATER OUTLET

50 [2.0] I.D. HOSE  
WATER INLET

130 [5.1]  
\*290 [11.4]  
202 [7.9]  
41 [1.61]  
\*396 [15.6]  
308 [12.1]  
\*416 [16.4]  
327 [12.9]

1/2 NPT OIL SUPPLY  
& RETURN LINES

DIMENSIONS IN [ ] ARE ENGLISH STANDARD EQUIVALENTS

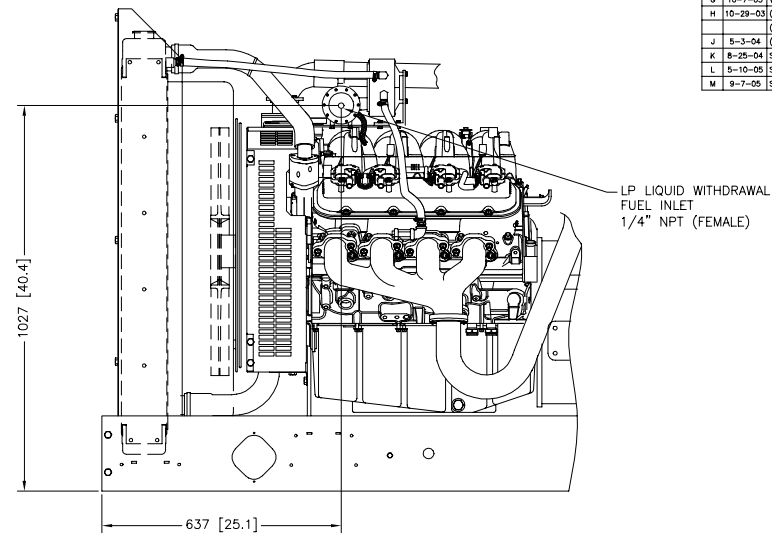
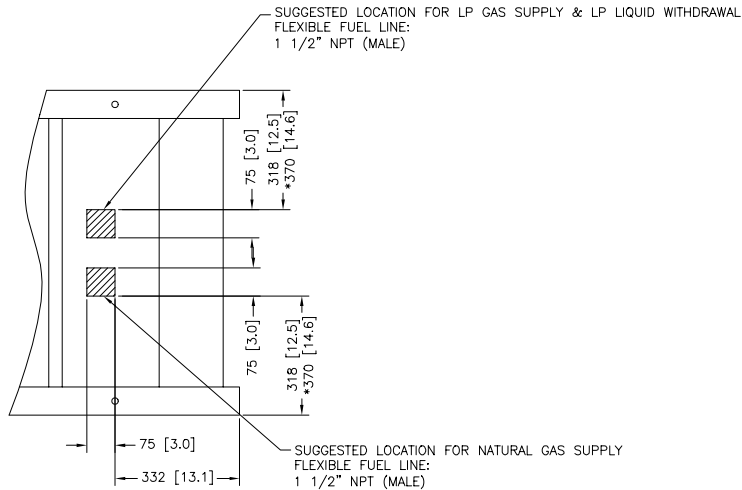
REMOTE RADIATOR

METRIC CAD FILE

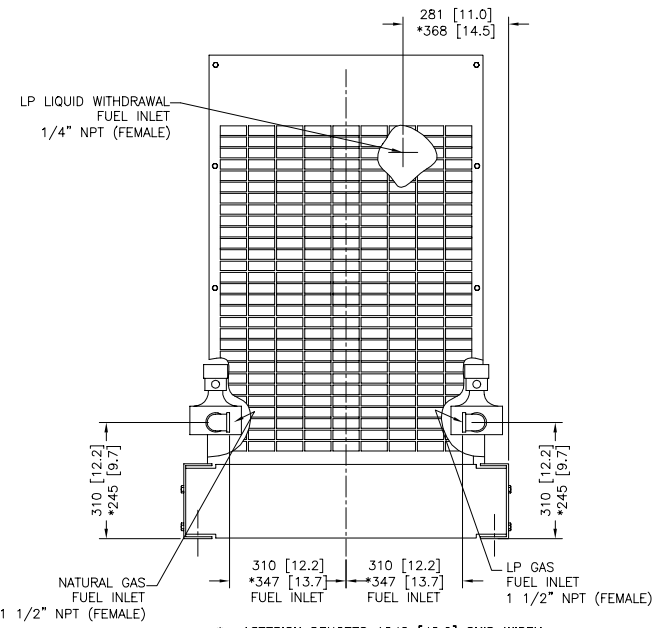
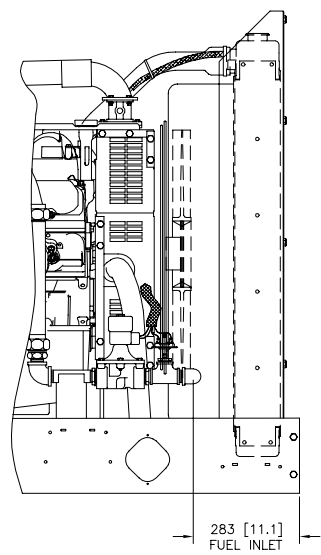
125 MODEL  
4V11 1PH/4S11/4S13  
RECONNECTABLE  
IMPROVED MOTOR STARTING (IMS) RECONNECTABLE  
& 600 VOLT ALTERNATORS  
8.1 LITER GM

UNLESS OTHERWISE SPECIFIED: 1) DIMENSIONS ARE IN MILLIMETERS 2) TOLERANCES ARE: X <math>0.25</math> SURFACE FINISH X <math>1.0</math> MAX. X <math>1.5</math> ANGLES <math>0.750</math>		<b>KOHLER CO.</b> POWER SYSTEMS, KOHLER, WI 53044 U.S.A. THIS DRAWING IS DESIGN AND TRADE SE PROPERTY OF KOHLER CO. NO PART MAY BE USED WITHOUT THE WRITTEN PERMISSION OF KOHLER CO.	
TITLE: DIMENSION PRINT 125 MODEL		SHEET 2-4	
APPROVED: [Signature] DATE: 7-13-03	DRAWN: LRH DATE: 7-13-01	SCALE: 1:5XP DWG NO: ADV6653B.DWG	REV. NO: [Blank]
CHECKED: KDW DATE: 7-13-03		PLOTTED DATE: ADV-6653	

REV	DATE	REVISION	BY
G	10-7-03	VIEWS UPDATED, SEE SHEETS 1, 2 & 4 OF 4 [69802]	RAC
H	10-29-03	(C-7) STUB UP LOCATIONS REDIMENSIONED FROM EDGE OF SKID;	SAM
J	5-3-04	(A-2) MODEL DESCRIPTIONS UPDATED [70592]	SAM
K	8-26-04	(A-2) 4V11 1PH ADDED. [72330]	RAC
L	5-10-05	SEE SHEET 4 OF 4. [73025]	GFR
M	9-7-05	SEE SHEET 4 [75099]	SAM
			SAM

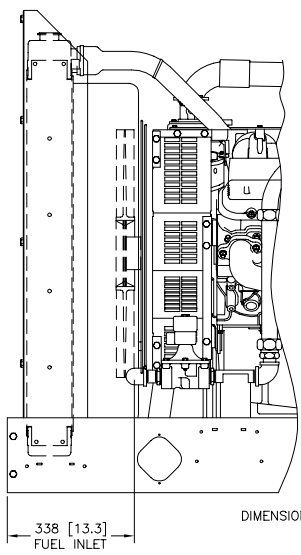


LP LIQUID WITHDRAWAL



\* -ASTERISK DENOTES 1040 [40.9] SKID WIDTH.

DUAL FUEL NATURAL GAS & LP GAS

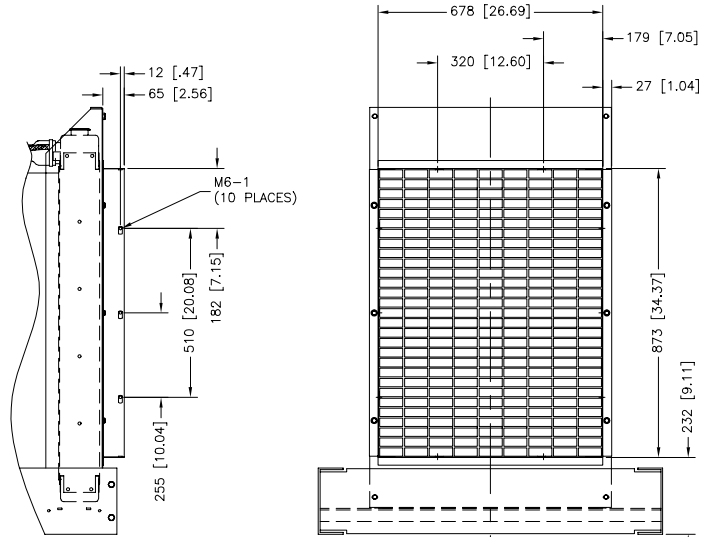


DIMENSIONS IN [ ] ARE ENGLISH STANDARD EQUIVALENTS

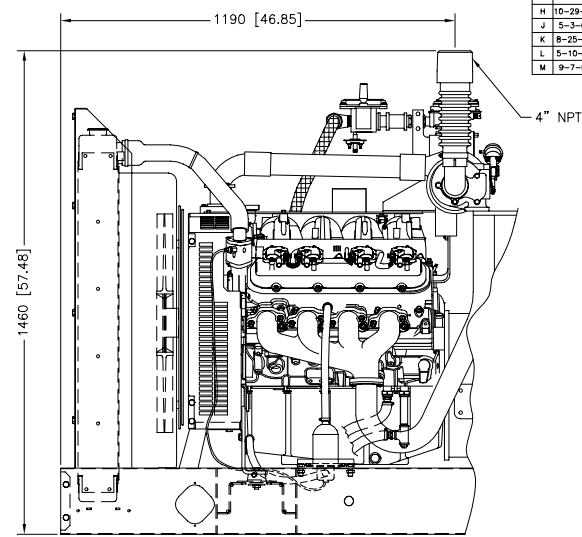
METRIC CAD FILE

125 MODEL  
4V11 1PH/4S11/4S13  
RECONNECTABLE  
IMPROVED MOTOR STARTING (IMS) RECONNECTABLE,  
& 600 VOLT ALTERNATORS  
8.1 LITER GM

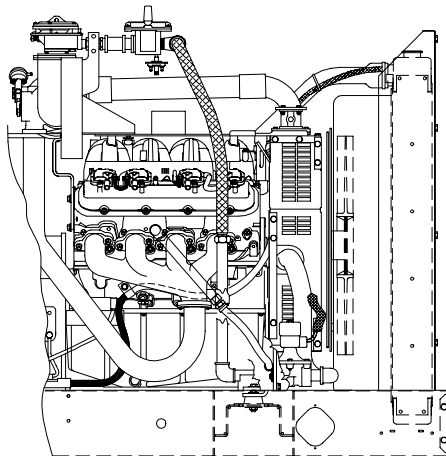
UNLESS OTHERWISE SPECIFIED: 1) DIMENSIONS ARE IN MILLIMETERS 2) TOLERANCES ARE: K & S ± 0.25 SURFACE FINISH M ± 1.0 N ± 1.5 ANGLES ± 0.30°		<b>KOHLER CO.</b> POWER SYSTEMS, KOHLER, WI 53044 U.S.A. THIS DRAWING IS DESIGN AND TRADE PROPERTY OF KOHLER CO. PROPERTY AND SHOULD NOT BE USED WITHOUT THE WRITTEN PERMISSION OF KOHLER CO. WORK ALL RIGHTS OF DESIGN OR INVENTION ARE RESERVED.	
DATE	DATE	<b>TITLE</b> DIMENSION PRINT 125 MODEL	
APPROVED	DATE	SCALE	SHEET
DRAWN	7-13-01	1:1	3-4
CHECKED	7-13-03	1:1	
APPROVED	7-13-03	1:1	



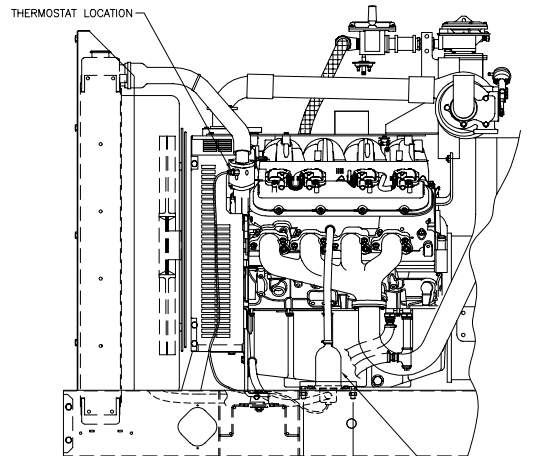
RADIATOR DUCT FLANGE



FLEXIBLE EXHAUST



BLOCK HEATER



BLOCK HEATER

REV	DATE	REVISION	BY
G	10-7-03	(D-6) 673 WAS 681, 209 WAS 213 & 28 WAS 34, (C-5) 870 WAS 833 & 232 WAS 266, (D-8) 182 WAS 162. [69802]	RAC
H	10-29-03	(A-2) MODEL DESCRIPTIONS UPDATED [70092]	SAM
J	5-3-04	(A-2) 4V11 1PH ADDED. [72230]	RAC
K	8-25-04	(C-7) RADIATOR DUCT FLANGE VIEW COMPLETELY REVISED. [73025]	GFR
L	5-10-05	SEE SHEET 1 [75099]	SAM
M	9-7-05	(D-6) DUCT FLANGE VIEW UPDATED [75122]	SAM

METRIC CAD FILE

DIMENSIONS IN [ ] ARE ENGLISH STANDARD EQUIVALENTS

125 MODEL  
4V11 1PH/4S11/4S13  
RECONNECTABLE  
IMPROVED MOTOR STARTING (IMS) RECONNECTABLE,  
& 600 VOLT ALTERNATORS  
8.1 LITER GM

UNLESS OTHERWISE SPECIFIED: (1) DIMENSIONS ARE IN MILLIMETERS (2) TOLERANCES ARE: H & L ± 0.25 K ± 0.5 M ± 1.0 ANGLES ± 0.50°		SURFACE FINISH MAX. ✓	
APPROVALS		DATE	
DESIGN	LRH	7-12-01	
CHECKED	KDW	7-13-03	
APPROVED	KDW	7-13-03	
DRAWN BY		SCALE	SHEET
KDW		1:5XP	4-4
PROJECT		DWG NO.	REV. NO.
ADV6653D.DWG		ADV-6653	
PLOTTED DATE		BY	
		D	

**KOHLER CO.**  
POWER SYSTEMS, KOHLER, WI 53044 U.S.A.  
THIS DRAWING IS DESIGN AND TRADE SE PROPERTY AND  
SHOULD NOT BE USED WITHOUT THE CONSENT OF KOHLER CO. WORK  
ALL RIGHTS OF DESIGN OR INVENTION ARE RESERVED.

**DIMENSION PRINT**  
**125 MODEL**

ADV-6653