



DA7000SS

WhisperWatt™ Generator

WhisperWatt™ 7kW

Prime Rating: 6 kW (6 kVA)

Standby Rating: 7 kW (7 kVA)

60 Hertz, 3600 RPM

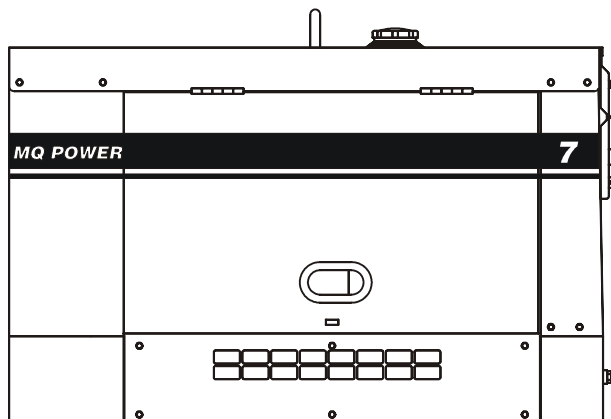
Single Phase, 1.0 Power Factor

120V - 29.2A (2 sets)

240V - 29.2A

Standard Features:

- **Excellent voltage regulation** - Power is controlled within $\pm 2.5\%$ of mean voltage. Self-regulated.
- **Complete power panel** - Fully covered; single phase receptacles including:
 - 1 - 120V, 20A Duplex with GFI 5-20R
 - 1 - 120V, 30A Twistlock L5-30R
 - 1 - 240V, 30A Twistlock L6-30R
 - 1 - 120/240 50A Twistlock CS6369All are NEMA standard.
- **Main Line Circuit Breaker** - Thermal-magnetic trip mechanism, 25 Amp rating.
- **Brushless Generator Design** - Reduces services and maintenance requirements.
- **Automatic Safety Shutdown System** - Monitors the engine oil pressure and water temperature; warning lights indicate abnormal conditions.
- **Sound Attenuated, Weather Resistant, Steel Housing** - Standard baffles and insulation to reduce operating noise levels to as low as 65 db(A) at 23 feet.
- **Easy Maintenance Design** - Quick, direct access to all filters. External fluid drain extensions allow fast, easy service.
- **Fully Lockable Enclosure** - Allows safe unattended operation. Single point lifting capability.
- **Complete Instrumentation** - Easy-to-read, illuminated instrument panel.

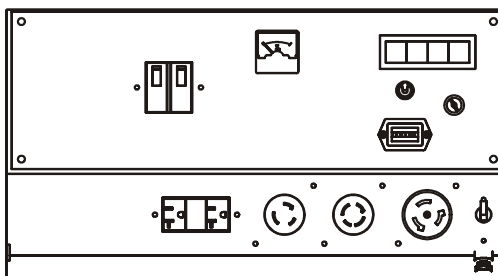


Optional Features:

- **Electronic Governor Control (Crystal Sync)** - Maintains frequency to within $\pm 0.25\%$ from no load to full load. A manual idle switch is also available.
- **Automatic Start/Stop Control** - Automatically starts and monitors generator during power failure when used in conjunction with a transfer switch.
- **Jacket Water Heater** - For easy starting in cold climates.
- **Solid State Battery Charger** - Provides fully automatic and self-adjusting charging to the generator's battery system.
- **Fuel/Water Filter** - Effectively separates damaging condensation from fuel.
- **Emergency Stop Switch**
- **Single Wall or Double Wall Sub-base Fuel Tanks** - Additional fuel cell for extended run time. Available in a variety of configurations.
- **Trailer Mounted Package** - Highway legal trailer with electric or surge brakes with single axle configuration. Extra capacity fuel tank is also available.

Control Panel Instrumentation:

- Keyed starter switch
- Idle control switch
- Hour meter
- Warning lamp (oil, water, charge, preheat)
- AC Voltmeter
- Circuit breaker





DA7000SS WhisperWatt™ Generator

Generator Specifications

Type	2-Pole, Revolving field, Self-ventilated, Drip-proof, Single bearing
Excitation	Brushless design
Number of Leads	4
Frequency	60 Hz
Insulation	Class B
Generator RPM	3600
Power Factor	1.0
Armature Connection	Series
Voltage Regulation (no load to full load)	±5%
Sound Level dB(A) Full load 23 ft.	65

Engine Specifications

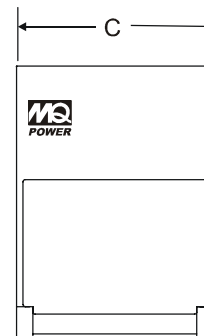
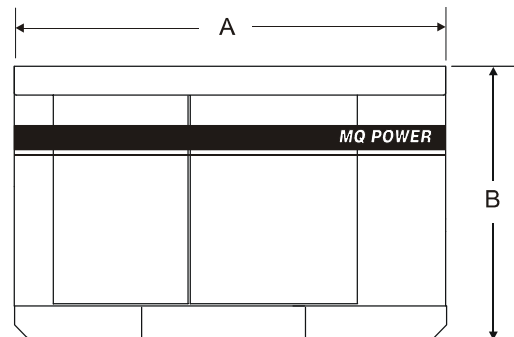
Make	Kubota
Model	Z482
Design	2 cylinder, 4-cycle, water cooled Swirl chamber
Displacement	497 cc
Bore	2.63 in. (67 mm)
Stroke	2.67 in. (68 mm)
Compression Ratio	23:1
Horsepower @ Rated Speed	13.9
Starting System	Electric
Battery	12V 35Ah x 1
Oil Capacity	0.54 gal (2.05 L)
Coolant Capacity	0.51 gal (1.95 L)

Fuel System

Fuel Tank Capacity	6.6 gal. (25)
Fuel Consumption	
Diesel Fuel At % of Load	gal/hr (L/hr)
100%	0.69 (2.6)
75%	0.55 (2.1)
50%	0.48 (1.8)
25%	0.37 (1.4)

Weights and Measurements

Housing (mm)	A	B	C
	45 in. (1143)	31.3 in. (795)	25.5 in. (647)
Appx. Net Weight	566 lbs (257 kg)		



Warranty*

Kubota Engine

12 months or 1000 hours from date of purchase (whichever occurs first).

Generator

24 months or 2000 hours from date of purchase (whichever occurs first).

*Refer to the express written, one-year limited warranty sheet for additional information.

Trailer

12 months excluding normal wear items.

Generator is not intended for use in enclosed areas or where free flow of air is restricted. Backfeed to a utility system can cause electrocution and/or property damage. Do not connect to any building's electrical system except through an approved device.

Specifications are subject to change without notice.

Your MQ Power dealer is:

4016 Quartz Drive
Santa Rosa, CA 95405
Phone: 707 539-9003
Fax: 707 539-5212
Email: sales@generatorjoe.NET
Web www.generatorjoe.NET



GeneratorJoe

