



Generator Joe

4016 Quartz Drive
Santa Rosa, CA 95405
Phone: 707 539-9003
Fax: 707 539-5212
Email: sales@generatorjoe.NET
Web www.generatorjoe.NET



RV GenSet

- Perfect for Travel Trailers, Truck Campers, and Folding Camping Trailers
- Runs One Air Conditioner with Power to Spare
- Lightweight, Compact, and Easy to Install
- Easy Maintenance with Single-Side Service
- Low Fuel Consumption
- Gasoline or LP Fueled
- 3-Year Limited Warranty

Ratings and Models

Model	Fuel	Hz	RPM	Watts	Voltage	Amps	Phase	Circuit Breaker
2.8 KVD-2090	Gasoline	60	3600	2800	120	23.3	1	25A
2.5 KVD-2089	LP Vapor	60	3600	2500	120	20.8	1	25A

Ratings apply to altitudes up to 500 ft (152.4 m), 85°F (29.4°C).

Derating: Power output will decrease 3.5% for each 1,000 ft (305 m) above sea level and 1% for each 10°F (5.5°C) increase in ambient temperature above 85°F (29°C).

Weight, Size and Sound Level

- **Weight:** 107 lbs (48 kg)
- **Size:** Length 19.6 in, Width 16.7 in, Height 12.3 in
- **Sound:** 71dB(A) at 10 ft (3 m), half load in typical RV installation



Generator Joe

4016 Quartz Drive
Santa Rosa, CA 95405
Phone: 707 539-9003
Fax: 707 539-5212
Email: sales@generatorjoe.NET
Web www.generatorjoe.NET

Standard Features

- Onan sound-attenuating enclosure
- Focalized mounting system with vibration isolators
- Cross-flo cooling
- Sheet steel drip controlling base
- USDA Forest Service approved spark arrestor muffler kit available (541-0618)
- Adjustable mechanical governor
- Automatic choke
- Overhead valves
- Single-side service
- Electric fuel pump (gasoline); electric fuel solenoid (LP)
- Mounted control panel
- Sealed remote start connector
- Electric start
- Fused DC circuits to protect set wiring and remote control wiring
- Magnetic circuit breaker
- 50 in (1.3 m) generator output leads
- Solid-state ignition

Engine Detail

Model: Onan GH-200
Design: 4-cycle, single cylinder, overhead valve
Displacement: 12 in³ (197 cm³)
Compression Ratio: 8.5:1
Power: 7.0 bhp (max) at 3600 r/min
Cooling: Pressurized air
Fuel System: (Gasoline) electric fuel pump, fuel lift 3 ft (914 mm); (LP) Electric fuel solenoid; automatic choke
Combustion Air: 60 Hz: 12.5 ft³/m (0.35 m³/min) at 3600 r/min
Average Fuel Consumption:

Gasoline	No Load		Half Load		Full Load	
	gph	l/h	gph	l/h	gph	l/h
2.8 KVD	0.2	0.8	0.3	1.1	0.4	1.6

LP Vapor	No Load			Half Load			Full Load		
	gal/h	lb/h	kg/h	gal/h	lb/h	kg/h	gal/h	lb/h	kg/h
2.5 KVD	0.2	0.9	0.4	0.3	1.5	0.7	0.5	2.4	1.1

Ignition System: Breakerless, electronic
Starting System: Remote, 12 V, 3-wire negative ground, start-stop rocker switch on control Connector for remote start cable
Lubrication: Splash lubrication
Oil Capacity: 1 qt (0.95 L)
Cylinder-Crankcase: Alloy aluminum with iron cylinder liner cast into the block
 Aluminum oil base
Cylinder Head: Alloy aluminum, removable

Generator Detail

Design: Onan 2-pole self-excited revolving field Permanently aligned to engine by a tapered shaft Drip-proof construction
Insulation System and Temperature Rise: Meets ANSI/RVIA EGS-1, BS-4999 standards, and CSA 946 standards
Cooling: Direct Drive Centrifugal Blower. Air required: Includes engine cooling air 300 ft³/m (8.5 m³/min) at 3600 r/min

Rotor: Laminated electrical steel assembly press-fitted to shaft, balanced, heavy insulated copper wire windings
Stator: Laminated electrical steel assembly skewed for excellent waveform. Heavy insulated copper wire windings.
Voltage Regulator: Electronic
DC Brushes: Electrographitic

GenSet Performance

Air Conditioner Operation:
60 Hz: at 500 ft. (152.4 m and 100°F (38°C)). The 2.8 KVD genset will start and run one approved 13500 BTU air conditioner (14.7 cooling amps or less) plus a 600-watt baseload, or one approved 11000 BTU air conditioner plus a 1000-watt baseload. The 2.5 KVD will start and run one approved 13500 BTU air conditioner plus a 300-watt baseload, or one approved 11000 BTU air conditioner plus a 600-watt baseload.

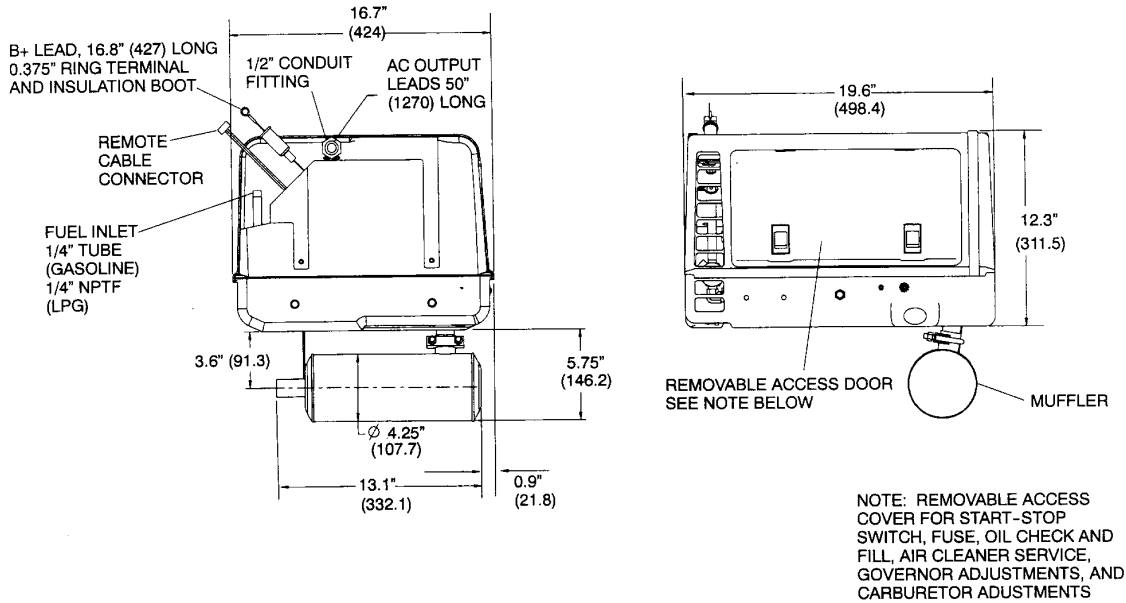
Voltage Regulation: Exceeds requirements of ANSI/EGS-1 ±10%
Frequency Regulation: Exceeds requirements of ANSI/RVIA EGA-1 ± 5%



GeneratorJoe

4016 Quartz Drive
 Santa Rosa, CA 95405
 Phone: 707 539-9003
 Fax: 707 539-5212
 Email: sales@generatorjoe.NET
 Web www.generatorjoe.NET

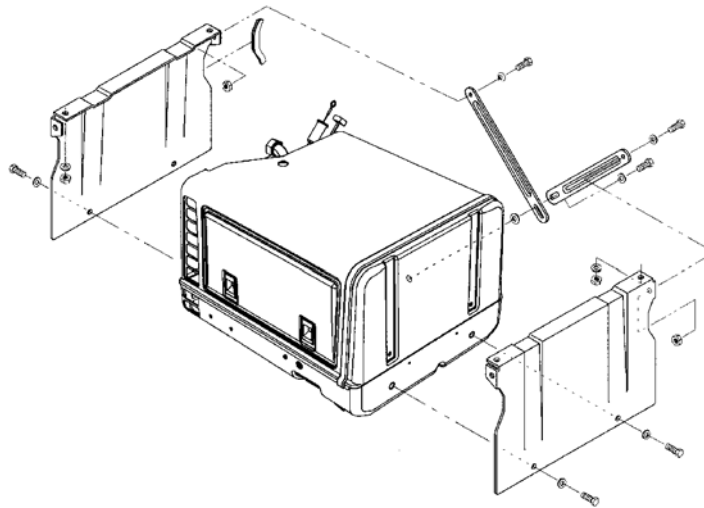
Basic Dimensions



Dimensions in parentheses are millimeters.

CAUTION: Drawings are supplied for reference only and should not be used for design or installation. See installation manual.
Net weight: 107 lb (48 kg)

Underfloor Mounting Kit (Part #541-0661)



CAUTION: Drawings are supplied for reference only and should not be used for design or installation.

Options and Accessories

- Remote start/stop rocker switch (P/N 300-4936)
- Deluxe remote control with start/stop switch, battery conditioner meter and running time meter (P/N 300-4937)
- Remote control plug and wire harness (10 ft - P/N 338-3489-01, 30 ft - P/N 338-3489-02)
- Remote Harness (P/N 300-4946)
- Battery, 12 V, 360 cold cranking amps at 0°F (-18°C) (P/N 416-0717)
- Under floor mounting kit (P/N 541-0661)
- USDA Forest Service approved spark arrester muffler kit available (P/N 541-0618)
- Exhaust resonator (P/N 155-2449)
- Compartment mount installation template (P/N 539-2145)
- Under floor mount installation template (P/N 539-2146) (included in mounting kit P/N 541-0661)

Onan Testing for RV Application

Tested at extremes of temperature -20° F (-29° C) to 120° F (49° C) for starting and operation.
Tested with RV loads, air conditioners, microwaves, converter, TVs, VCRs.
Tested installed. Onan owns RVs used for product development testing.
Tested in high humidity conditions.
Tested in salt spray conditions.
Tested in heavy airborne dust conditions.
Field Test program.
60 Hz (120V only) models listed by SGS United States Testing Company, Inc. per ANSI/EGS-1-1998 and CSA-certified per Electrical Bulletin 946.
Ratings apply to altitudes up to 500 ft (150 m), 85° F (29° C) ambient with muffler, in RV enclosure.
60 Hz models meet U.S. EPA Phase I and 1995-2001 California emission regulations for small off-road engines.



Operating Temperature Range

Gasoline sets will operate from -20°F (-29°C) to 120°F (49°C). LPG sets will operate from 0°F (-18°C) to 120°F (49°C). LPG set starting and operation below 32°F (0°C) depends upon LP tank capacity, surface area and butane content of LPG.

Warranty Policy

The Onan Limited Warranty covers virtually everything except routine maintenance for the first two years you own your RV generator set, and covers parts and labor on major power train and generator set parts during the third year. In addition, it also includes a free 90-day adjustment policy, which provides that Onan will make minor adjustments to your new genset during the first three months you own it - free of charge! Please note: The Onan 3-year Limited Warranty applies to RV generators used in RV applications only, and does not apply to RV generators used in commercial mobile applications.

For complete Onan Limited Warranty details see your Onan Distributor or Certified Onan Service Dealer.

After Sale Support

GENUINE ONAN MAINTENANCE PARTS AND PRODUCTS

For your ongoing satisfaction and the dependability of your Onan RV genset, Onan offers a complete line of replacement and tune-up parts, oil and maintenance chemicals specifically designed for RV gensets. Easy to find at certified Onan RV Service and Parts Dealers coast to coast, Onan Green Label™ RV parts are packaged for correct selection and convenient on-board storage.

EASY TO LOCATE CERTIFIED ONAN RV SERVICE AND PARTS DEALERS

Onan has trained, tested and certified over 1000 authorized Onan RV Service Dealers covering most major metropolitan areas in the U.S. and Canada. To easily locate the certified Onan Service Dealer no matter where you travel, call 1-800-888-ONAN and ask us to send you an RV Service and Parts Dealer Directory (F-919) or go to www.funroads.com.



See Your Distributor for More Information:



GeneratorJoe

4016 Quartz Drive
Santa Rosa, CA 95405
Phone: 707 539-9003
Fax: 707 539-5212
Email: sales@generatorjoe.NET
Web www.generatorjoe.NET

Cummins Power Generation is a subsidiary of Cummins Inc.
Onan is a Registered Trademark of Cummins Inc.

WARNING: Backfeed to a utility system can cause electrocution and/or property damage. Do not connect to any building electrical except through an approved device or after building main breaker is open.