



GeneratorJoe

4016 Quartz Drive
Santa Rosa, CA 95405
Phone: 707 539-9003
Fax: 707 539-5212
Email: sales@generatorjoe.NET
Web www.generatorjoe.NET



Commercial Mobile Accessories Catalog



GeneratorJoe

4016 Quartz Drive
Santa Rosa, CA 95405
Phone: 707 539-9003
Fax: 707 539-5212
Email: sales@generatorjoe.NET
Web www.generatorjoe.NET



Onan[®]

Onan Powers
All Your Needs



Commercial Mobile Accessories & Service Support Catalog

Table of Contents

Commercial Mobile Generator Accessories Information	2
Commercial Mobile Model Designation Chart	3
Commercial Mobile Generator Accessories	8
CME Series (HGJAF, HGJAE, HGJAD 5500, 7000) Accessories	8
CME, CMM and CMM EFI Series (HGJAF, HGJAE, HGJAD 5500, 7000) Accessories	10
MicroLite™ (KV 2000, 2300, 2500, 2800) Accessories	13
MicroQuiet™ 4000 (KY 3300, 3600, 4000) Accessories	15
General Gasoline and LP Accessories	17
CMSD Series (HDKAS, AL, AG) Accessories	19
CMQD Series (HDKAT, HDCAC/HDKCC, HDCAD/HDKCD, HDKBB) Accessories	24
Protec PTO Accessories	27
CMHG Series (RBAA 6000, 8000, 10000, 15000, 20000) Accessories	28
Special Components	29
Installation Templates	30
Service and Maintenance Chemical and Oils	31
Commercial Mobile Genset Parts	32
Commercial Mobile Service Support Literature	34
Manuals	34
Specification Sheets	34
Miscellaneous Service Support Literature	35
Index of Accessories by Model	36
Index of Accessories by Part Number	37



GeneratorJoe

4016 Quartz Drive
Santa Rosa, CA 95405
Phone: 707 539-9003
Fax: 707 539-5212
Email: sales@generatorjoe.NET
Web www.generatorjoe.NET

The Onan Commercial Mobile Accessories and Service Support Catalog lists generator set accessories and some parts available for Onan Commercial Mobile Generators.

Accessories can be ordered when the generator set is purchased or at a later date. Some items in this catalog cannot be ordered at the time of the generator purchase. These parts have the designation “Part Only” next to the part number.

Onan Commercial Mobile Generator accessories and parts are sold through our worldwide Cummins Onan Distributor/Dealer network. To locate a Distributor/Dealer near you, visit the dealer locator at www.onan.com.

For proper application and installation of accessories, refer to the appropriate Commercial Mobile Generator manual shipped with the unit. See a listing of manual part numbers under Service Support Literature on page 35.

Visit www.onan.com for complete information on Onan Commercial Mobile Generators, including specification sheets that also list accessories by model.

COMMERCIAL MOBILE GENERATOR ACCESSORIES WARRANTY INFORMATION

Onan Commercial Mobile Gensets are backed by a comprehensive, limited warranty and a free 90-day adjustment policy. A 1-year extended warranty for a total of 3 years is also available on select models. See the express, written limited warranty that accompanies the Genset for details.

All Commercial Mobile accessories that are purchased at the time of the Commercial Mobile Genset purchase will have the same express, limited warranty as the Commercial Mobile Genset. If a Commercial Mobile accessory is purchased separately, i.e., not purchased with a Commercial Mobile Genset, then the accessory has the same express, limited warranty as an Onan spare part, which is 90 days.

For more details on Onan warranty, contact your Onan distributor/dealer.

THERE ARE NO OTHER WARRANTIES, EXPRESS OR IMPLIED, INCLUDING NO WARRANTIES OF FITNESS FOR PARTICULAR PURPOSE, OR MERCHANTABILITY. IN NO CASE WILL ONAN BE LIABLE FOR INCIDENTAL OR CONSEQUENTIAL DAMAGES.



GeneratorJoe

4016 Quartz Drive
Santa Rosa, CA 95405
Phone: 707 539-9003
Fax: 707 539-5212
Email: sales@generatorjoe.NET
Web www.generatorjoe.NET



Commercial Mobile Model Designation Chart



CME, CMM and CMM EFI Series

	Watts	Phase	Fuel	Volts/Freq	Circuit Breaker	Features
5.5 HGJAD-2138	5500	1	Gasoline	120V - 60 Hz	30 Amp, 2 pole	EFI, Self diagnostics Digital voltage regulation Electronic governor
5.5 HGJAD-2140	5500	1	Gasoline	120/240V - 60 Hz	30 Amp, 2 pole	
5.5 HGJAD-1911***	5500	1	Gasoline	120/240V - 60 Hz	30 Amp, 2 pole	
5.5 HGJAD-2557**	5500	1	Gasoline	120/240V - 60 Hz	30 Amp, 2 pole	
5.5 HGJAD-2558**	5500	1	Gasoline	120/240V - 60 Hz	30 Amp, 2 pole	
7 HGJAD-2139	7000	1	Gasoline	120V - 60 Hz	30 Amp, 2 pole	EFI, Self diagnostics Digital voltage regulation Electronic governor
7 HGJAD-2141	7000	1	Gasoline	120/240V - 60 Hz	30 Amp, 2 pole	
7 HGJAD-1910***	7000	1	Gasoline	120/240V - 60 Hz	30 Amp, 2 pole	
7 HGJAD-2559**	7000	1	Gasoline	120/240V - 60 Hz	30 Amp, 2 pole	
7 HGJAD-2560*	7000	1	Gasoline	120/240V - 60 Hz	30 Amp, 2 pole	
5.5 HGJAE-2131	5500	1	Gasoline	120V - 60 Hz	30 Amp, 2 pole	Self diagnostics Digital voltage regulation Mech. governor
5.5 HGJAE-2135	5500	1	Gasoline	120/240V - 60 Hz	30 Amp, 2 pole	
5.5 HGJAE-2133***	5500	1	Gasoline	120/240V - 60 Hz	30 Amp, 2 pole	
5.5 HGJAE-2555**	5500	1	Gasoline	120/240V - 60 Hz	30 Amp, 2 pole	
5.5 HGJAE-2136	5500	3	Gasoline	120/240V - 60 Hz	18 Amp, 3 pole	
5.5 HGJAE-2144	5500	1	LP Vapor	120/240V - 60 Hz	30 Amp, 2 pole	Self diagnostics Digital voltage regulation Mech. governor
6.5 HGJAE-2145	6500	1	LP Vapor	120/240V - 60 Hz	30 Amp, 2 pole	
6.5 HGJAE-3554	6500	1	LP Vapor	120V - 60 Hz	30 Amp, 2 pole	
7 HGJAE-2132	7000	1	Gasoline	120V - 60 Hz	30 Amp, 2 pole	
7 HGJAE-1912	7000	1	Gasoline	120/240V - 60 Hz	30 Amp, 2 pole	
7 HGJAE-2134***	7000	1	Gasoline	120/240V - 60 Hz	30 Amp, 2 pole	Self diagnostics Digital voltage regulation Mech. governor
7 HGJAE-2556**	7000	1	Gasoline	120/240V - 60 Hz	30 Amp, 2 pole	
7 HGJAE-2137	7000	3	Gasoline	120/240V - 60 Hz	18 Amp, 3 pole	
5.5 HGJAF-2108	5500	1	Gasoline	120V - 60 Hz	30 Amp, 2 pole	Self diagnostics Digital voltage regulation Mech. governor
5.5 HGJAF-1914	5500	1	Gasoline	120/240V - 60 Hz	30 Amp, 2 pole	
5.5 HGJAF-1917*	5500	1	Gasoline	120/240V - 60 Hz	30 Amp, 2 pole	
5.5 HGJAF-2109	5500	1	LP Vapor	120/240V - 60 Hz	30 Amp, 2 pole	Self diagnostics Digital voltage regulation Mech. governor
6.5 HGJAF-2113	6500	1	LP Vapor	120/240V - 60 Hz	30 Amp, 2 pole	
7 HGJAF-2111	7000	1	Gasoline	120V - 60 Hz	30 Amp, 2 pole	
7 HGJAF-1913	7000	1	Gasoline	120/240V - 60 Hz	30 Amp, 2 pole	
7 HGJAF-2110*	7000	1	Gasoline	120/240V - 60 Hz	30 Amp, 2 pole	

* Hydraulic pump standard.

** PTO ready, spline shaft, without hydraulic pump.

** PTO ready, spline shaft, with hydraulic pump.

GeneratorJoe

4016 Quartz Drive
Santa Rosa, CA 95405
Phone: 707 539-9003
Fax: 707 539-5212

Email: sales@generatorjoe.NET
Web www.generatorjoe.NET

Commercial Mobile Model Designation Chart, *cont.*

CM MicroQuiet Series

	Watts	Phase	Fuel	Volts/Freq	Circuit Breaker	Features
3.6 KY-FA/26120	3600	1	LP (Vapor)	120V - 60Hz	(1) 30 Amp	Enclosed muffler OHV engine
4.0 KY-FA/26100	4000	1	Gasoline	120V - 60Hz	(1) 30 Amp	
3.3 KY-FR/26119	3300	1	LP (Vapor)	230V - 50 Hz	(1) 15 Amp	
3.6 KY-FR/33742	3600	1	Gasoline	230V - 50 Hz	(1) 17 Amp	
3.6 KY-FR/11572	3600	1	Gasoline	100V - 50 Hz	(1) 20 Amp, 2 pole	
4.0 KY-FR/11429	4000	1	Gasoline	100/200V - 60 Hz	(1) 30 Amp	Grounded Neutral
4.0 KY-FR/65697	4000	1	Gasoline	100/200V - 60 Hz	(1) 30 Amp	Isolated Neutral

CM MicroLite Series

2.5 KV-FA/26120	2500	1	LP (Vapor)	120V - 60 Hz	(1) 25 Amp	Enclosed muffler Low sound level
2.8 KV-FA/26100	2800	1	Gasoline	120V - 60 Hz	(1) 25 Amp	
2.0 KV-FR/26119	2000	1	LP (Vapor)	230V - 50 Hz	(1) 9.5 Amp	
2.3 KV-FR/33742	2300	1	Gasoline	230V - 50 Hz	(1) 10 Amp	
2.3 KV-FR/51844	2300	1	Gasoline	230V - 50 Hz	(1) 10 Amp	
2.8 KV-FR/11351	2800	1	Gasoline	100V - 60 Hz	(1) 25 Amp	



GeneratorJoe

4016 Quartz Drive
 Santa Rosa, CA 95405
 Phone: 707 539-9003
 Fax: 707 539-5212
 Email: sales@generatorjoe.NET
 Web www.generatorjoe.NET

CMSD Series Standard Diesel Fueled Gensets

	Watts	Phase	Fan	Volts/Freq	Circuit Breaker	Features	
5 HDKAS-15	5000	1	Pusher	115/230V - 50 Hz	(1) 25 Amp, 2 pole	Focalized vibration isolation Pusher or suction fan Unhoused 3-phase available	
5 HDKAS-16	5000	1	Suction	115/230V - 50 Hz	(1) 25 Amp, 2 pole		
5 HDKAS-17	5000	3	Pusher	12L Reconnectable - 50 Hz	Voltage Dependent		
5 HDKAS-18	5000	3	Suction	12L Reconnectable - 50 Hz	Voltage Dependent		
6 HDKAL-7	6000	1	Pusher	115/230V - 50 Hz	(1) 30 Amp, 2 pole		
6 HDKAL-8	6000	1	Suction	115/230V - 50 Hz	(1) 30 Amp, 2 pole		
6 HDKAL-9	6000	3	Pusher	12L Reconnectable - 50 Hz	Voltage Dependent		
6 HDKAL-10	6000	3	Suction	12L Reconnectable - 50 Hz	Voltage Dependent		
6 HDKAS-11	6000	1	Pusher	120/240V - 60 Hz	(1) 25 Amp, 2 pole		
6 HDKAS-12	6000	1	Suction	120/240V - 60 Hz	(1) 25 Amp, 2 pole		
6 HDKAS-13	6000	3	Pusher	12L Reconnectable - 60 Hz	Voltage Dependent		
6 HDKAS-14	6000	3	Suction	12L Reconnectable - 60 Hz	Voltage Dependent		
7.5 HDKAL-1	7500	1	Pusher	120/240V - 60 Hz	(1) 35 Amp, 2 pole		Focalized vibration isolation Pusher or suction fan Unhoused 3-phase available
7.5 HDKAL-2	7500	1	Suction	120/240V - 60 Hz	(1) 35 Amp, 2 pole		
7.5 HDKAL-3	7500	3	Pusher	12L Reconnectable - 60 Hz	Voltage Dependent		
7.5 HDKAL-4	7500	3	Suction	12L Reconnectable - 60 Hz	Voltage Dependent		
7.5 HDKAL-5	7500	1	Pusher	100/200V - 60 Hz	(1) 40 Amp, 2 pole		
7.5 HDKAL-6	7500	1	Suction	100/200V - 60 Hz	(1) 40 Amp, 2 pole		
8 HDKAG-11378	8000	3	Pusher	12L Reconnectable - 50 Hz	Voltage Dependent	4-point vibration isolation Unhoused 3-phase available	
8 HDKAG-11379	8000	3	Suction	12L Reconnectable - 50 Hz	Voltage Dependent		
8 HDKAG-11473	8000	1	Pusher	115/230V - 50 Hz	(1) 40 Amp, 2 pole		
10 HDKAG-11322	10000	3	Pusher	120/240V - 60 Hz	(1) 35 Amp, 3 pole		
10 HDKAG-11323	10000	3	Suction	120/240V - 60 Hz	(1) 35 Amp, 3 pole		
10 HDKAG-11509	10000	1	Pusher	100/200V - 60 Hz	(1) 50 Amp, 2 pole		
10 HDKAG-61730	10000	1	Suction	120/240V - 60 Hz	(1) 45 Amp, 2 pole		
10 HDKAG-61731	10000	1	Pusher	120/240V - 60 Hz	(1) 45 Amp, 2 pole		
10 HDKAG-61732	10000	3	Suction	120/208V - 60 Hz	(1) 35 Amp, 3 pole		
10 HDKAG-61733	10000	3	Pusher	120/208V - 60 Hz	(1) 35 Amp, 3 pole		



GeneratorJoe

4016 Quartz Drive
 Santa Rosa, CA 95405
 Phone: 707 539-9003
 Fax: 707 539-5212
 Email: sales@generatorjoe.NET
 Web www.generatorjoe.NET

Commercial Mobile Model Designation Chart, *cont.*

CMQD Series Quiet Diesel Gensets

	Watts	Phase	Fan	Volts/Freq	Circuit Breaker	Features
5.0 HDKBB-2862	5000	1	Internal	115/230V - 60 Hz	(1) 25 Amp, 2 pole	Lower noise, vibration, harshness
5.0 HDKBB-2863	5000	3	Internal	230/400V - 60 Hz	(1) 8 Amp, 3 pole	
5.5 HDKBB-2860	5500	1	Internal	120V - 60 Hz	(1) 25 Amp, 2 pole	
5.5 HDKBB-2861	5500	1	Internal	120/240V - 60 Hz	(1) 25 Amp, 2 pole	
5.5 HDKBB-2905	5500	3	Internal	120/240V - 60 Hz	(1) 15 Amp, 3 pole	
7.5 HDKAT-41934	7500	1	Internal	120V - 60 Hz	(1) 35 Amp, 2 pole	
10 HDCAC-42345	10000	1	Internal	120/240V - 60 Hz	(1) 45 Amp, 2 pole	
10 HDKCC 42345	10000	1	Internal	120/240V - 60 Hz	(1) 45 Amp, 2 pole	
12 HDCAD-2209	12000	1	Internal	120/240V - 60 Hz	(1) 50 Amp, 2 pole	
12 HDKCD 2209	12000	1	Internal	120/240V - 60 Hz	(1) 50 Amp, 2 pole	

Protec PTO Generators

	Watts	Phase	Fuel	Volts/Freq	Circuit Breaker	Features
15 YD CR 621	15000	1	N/A	120/240V - 60 Hz	70A, 2 Pole Recommended	Switchable to 50 Hz Capped volt regulator Field proven Flexible mounting configurations
20 YD CR 621	20000	1	N/A	120/240V - 60 Hz	85A, 2 Pole Recommended	
25 YD CR 621	25000	1	N/A	120/240V - 60 Hz	100A, 2 Pole Recommended	
30 YD CR 621	30000	1	N/A	120/240V - 60 Hz	150A, 2 Pole Recommended	
35 YD CR 621	35000	1	N/A	120/240V - 60 Hz	175A, 2 Pole Recommended	
15 YD CR 622	15000	3	N/A	12L Reconnectable - 60 Hz	Voltage Dependent	
20 YD CR 622	20000	3	N/A	12L Reconnectable - 60 Hz	Voltage Dependent	
25 YD CR 622	25000	3	N/A	12L Reconnectable - 60 Hz	Voltage Dependent	
32 YD CR 622	32000	3	N/A	12L Reconnectable - 60 Hz	Voltage Dependent	



GeneratorJoe

4016 Quartz Drive
 Santa Rosa, CA 95405
 Phone: 707 539-9003
 Fax: 707 539-5212
 Email: sales@generatorjoe.NET
 Web www.generatorjoe.NET

Commercial Mobile Model Designation Chart, *cont.*

40 YD CR 622 40000 3 N/A 12L Reconnectable - 60 Hz Voltage Dependent

CMHG Hydraulic Generator Series

	Watts	Phase	Fuel	Shaft	Volts/Freq	Circuit Breaker	
6RBAA-2653	6000	1	N/A	Keyed	120/240V - 60 Hz	50/25A, OEM/Distributor supplied	45cc hydraulic pump Keyed/Splined
6RBAA-2282	6000	1	N/A	Spline	120/240V - 60 Hz	50/25A, OEM/Distributor supplied	57cc hydraulic pump Keyed/Splined
6RBAA-4355	6000	1	N/A	Keyed	120/240V - 60Hz	50/25A, OEM/Distributor supplied	
6RBAA-4356	6000	1	N/A	Splined	120/240V - 60Hz	50/25A, OEM/Distributor supplied	45cc hydraulic pump Keyed/Splined
6RBAA-3543	6000	1	N/A	Keyed	120/240V - 60Hz	50/25A, OEM/Distributor supplied	45cc hydraulic pump Keyed/Splined
8RBAA-2654	8000	1	N/A	Keyed	120/240V - 60 Hz	66.6/33.3A, OEM/Distributor supplied	57cc hydraulic pump Keyed/Splined
8RBAA-2283	8000	1	N/A	Splined	120/240V - 60 Hz	66.6/33.3A, OEM/Distributor supplied	
8RBAA-4357	8000	1	N/A	Keyed	120/240V - 60Hz	66.6/33.3A, OEM/Distributor supplied	
8RBAA-4358	8000	1	N/A	Splined	120/240V - 60Hz	66.6/33.3A, OEM/Distributor supplied	57cc hydraulic pump Keyed/Splined
8RBAA-3544	8000	1	N/A	Keyed	120/240V - 60Hz	66.6/33.3A, OEM/Distributor supplied	45cc hydraulic pump Keyed/Splined
10RBAA-2619	10000	1	N/A	Splined	120/240V - 60Hz	83/42A, OEM/Distributor supplied	74cc "J" frame hyd. pump Keyed/Splined
10RBAA-2655	10000	1	N/A	Keyed	120/240V - 60Hz	83/42A, OEM/Distributor supplied	
10RBAA-4546	10000	1	N/A	Splined	120/240V - 60Hz	83/42A, OEM/Distributor supplied	74cc hydraulic pump Keyed/Splined
10RBAA-4547	10000	1	N/A	Keyed	120/240V - 60Hz	83/42A, OEM/Distributor supplied	
15RBAA-3164	15000	1	N/A	Keyed	120/240V - 60Hz	125/62.5A, OEM/Distributor supplied	74cc "J" frame hyd. pump Keyed/Splined
15RBAA-3165	15000	1	N/A	Splined	120/240V - 60Hz	125/62.5A, OEM/Distributor supplied	
15RBAA-4548	15000	1	N/A	Splined	120/240V - 60Hz	125/62.5A, OEM/Distributor supplied	
15RBAA-4549	15000	1	N/A	Keyed	120/240V - 60Hz	125/62.5A, OEM/Distributor supplied	
20RBAA-3576	20000	1	N/A	Keyed	120/240V - 60Hz	167/83A, OEM/Distributor supplied	45cc hydraulic pump



GeneratorJoe

4016 Quartz Drive
 Santa Rosa, CA 95405
 Phone: 707 539-9003
 Fax: 707 539-5212
 Email: sales@generatorjoe.NET
 Web www.generatorjoe.NET



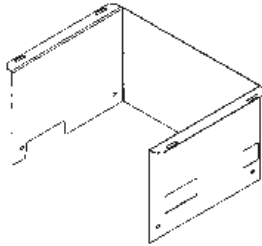
CME Series (HGJAF, HGJAE, HGJAD 5500, 7000) Accessories

Mounting Kit

405-6698

CME Underfloor Mount

Used to mount generator underfloor. Muffler kit not included. (Instruction Sheet #G-464.)



Enclosure Assembly

541-0612-01

Below Mounted Muffler

CME Sheet Metal Enclosure Kit, muffler below. Kit consists of insulated sheet metal housing with latching door. This kit is designed to protect the genset from rain/snow. It is NOT designed for use in a compartment. Kit must be assembled. Green. (Instruction Sheet #G-486.)



541-0612-02

Side Mounted Muffler

CME Sheet Metal Enclosure Kit, muffler on side. Kit consists of insulated sheet metal housing with latching door. This kit is designed to protect the genset from rain/snow. It is NOT designed for use in a compartment. Kit must be assembled. Green. (Instruction Sheet #G-486.)



Installation Templates

539-2056

CME Compartment Mount Installation Template

A paper guide for marking holes to install the CME in compartments or on platforms. To order, contact Onan at elaine.f.glubra@cummins.com or 763-574-5627.

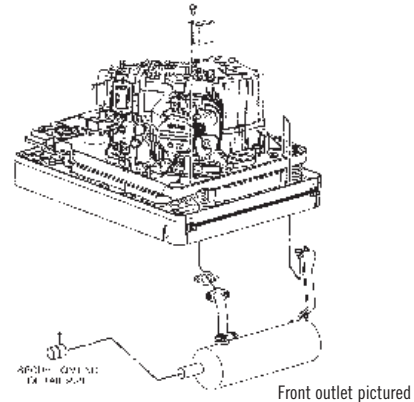
Exhaust Kits

Each kit includes an exhaust pipe connection flange, muffler, mounting hardware and a vibration isolated design hanger clamp to reduce rigid tailpipe stresses. The hanger clamps fit standard 1-1/2 inch O.D. (18 gauge) tailpipe. (Exhaust tailpipe not included.) Additional hanger clamps may be necessary. (Part #155-2174.)

155-3468

CME Exhaust Kit

Below set, front outlet. Includes muffler, tube, bracket, gasket and clamp. (Instruction Sheet #G-513.)



155-3469

CME Exhaust Kit

Below set, rear outlet. Includes muffler, tube, bracket, gasket, and clamp. (Instruction Sheet #G-513.)

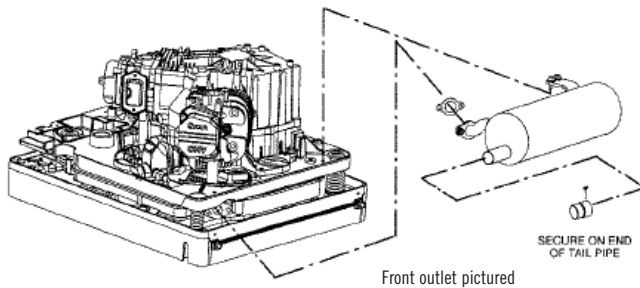
GeneratorJoe

4016 Quartz Drive
Santa Rosa, CA 95405
Phone: 707 539-9003
Fax: 707 539-5212
Email: sales@generatorjoe.NET
Web www.generatorjoe.NET

155-3470

CME Exhaust Kit

Side mount, front outlet. Includes muffler, tube, bracket, gasket and clamp. (Instruction Sheet #G-513.)



155-3499

CME Exhaust Kit

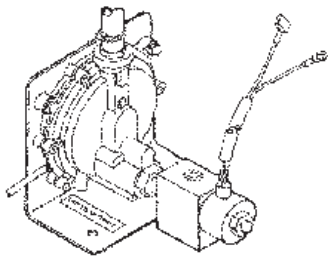
Side mount, rear outlet. Includes muffler, tube, bracket, gasket and clamp. (Instruction Sheet #G-513.)

LPG Vapor Fuel Conversion Kit

148-1161

CME LPG Vapor Fuel Conversion Kit

Used to convert an HGJAF gasoline commercial mobile genset to a low-pressure propane gas set. The kit includes a UL-approved gas regulator and electric solenoid along with the carburetor and necessary hardware. This conversion kit complies with ANSI/RVIA-EGS-I and NFPA 58. (Instruction Sheet #G-402.)



GeneratorJoe

4016 Quartz Drive
Santa Rosa, CA 95405
Phone: 707 539-9003
Fax: 707 539-5212
Email: sales@generatorjoe.NET
Web www.generatorjoe.NET



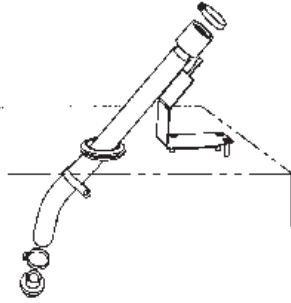
CME, CMM, CMM EFI (HGJAF, HGJAE, HGJAD 5500, 7000) Accessories

Oil Drain & Other Accessory Kits

123-2164

Remote Oil Fill Kit

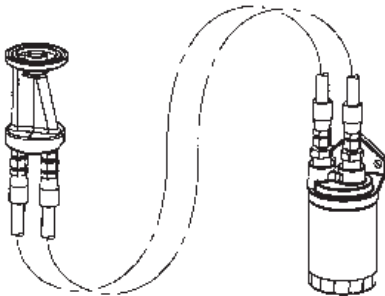
Allows operator to check and add oil when front access door is not readily accessible. (Instruction Sheet #G-502.)



541-0608-01

Remote Oil Filter Kit

Allows the oil filter to be mounted remotely on CME and CMM gensets. Includes filter adapter, hoses, remote filter mount with bracket and hardware. (Instruction Sheet #G-485.)



GeneratorJoe

4016 Quartz Drive
Santa Rosa, CA 95405
Phone: 707 539-9003
Fax: 707 539-5212
Email: sales@generatorjoe.NET
Web www.generatorjoe.NET

Harnesses

305-0979

Pigtail to Set

Pigtail kit that connects to the sealed remote connector and sealed splices on all gasoline and LP gensets with sealed remote connector. (All CMM, CME, KY Spec F and later, and KV Spec F and later.) (Instruction Sheet #C-571.)



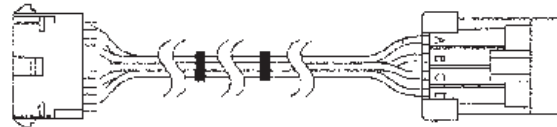
338-3489-01 5-wire

10 Foot Remote Harness

338-3489-02 5-wire

30 Foot Remote Harness

Easy plug connection between gensets with remote sealed connectors and control panels Part #300-4936, 300-4937 and 300-4938, 300-5331, 300-5332 and 300-5333.



Circuit Breaker Kits

320-1572

30-Amp Circuit Breaker Kit

Replaces 20-amp breaker when two 30-amp single pole, single throw breakers are required. (Instruction Sheet #G-25.)

320-1683

20-Amp Circuit Breaker Kit

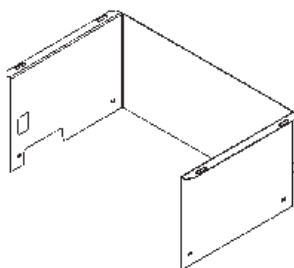
Replaces 30-amp breaker when a 20-amp and a 30-amp breaker are required. (Instruction Sheet #C-336.)

Mounting Kit

405-6699

Mounting Kit

For underfloor installation of CMM and CMM EFI only. (Exhaust tailpipe not included.) (Instruction Sheet #G-464.)



Installation Templates

539-2057

Underfloor HGJAE, HGJAD Installation Template

A paper guide for marking holes to install the HGJAE, HGJAD in compartments or on platforms.

To order, contact Onan at elaine.f.glubka@cummins.com or 763-574-5604.

Tailpipe & Exhaust Tube Kits

It is necessary to equip the generator set with a tailpipe at installation.

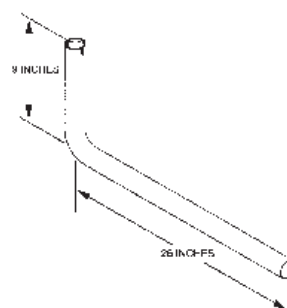
155-3481-01

22-inch Tailpipe

155-3481-02

26-inch Tailpipe

Contains tailpipe, clamp and a hanger. Exhaust tube connects to 1-3/8 inch O.D. down tube on genset. Exhaust tailpipe connects to 1-3/8 inch short nipple or down tube provided on genset exhaust outlet. (Instruction Sheet #G-206.)

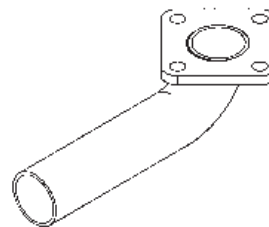


Typical tailpipe kit.

155-3439

Exhaust Elbow

90° exhaust adapter elbow. Replaces standard 1-3/8 inch O.D. down tube. (For use with 1-3/8 inch I.D. tailpipe.) Allows exhaust to pass out through exhaust cutouts in genset base.



GeneratorJoe

4016 Quartz Drive
Santa Rosa, CA 95405
Phone: 707 539-9003
Fax: 707 539-5212
Email: sales@generatorjoe.NET
Web www.generatorjoe.NET

155-2610-01 Part Only

12 1/2-inch Exhaust Tube

1-3/8 O.D. tube x 3 inches long for use with 1-1/2 inch tailpipe.

Fuel Pump Kits

541-0530

Auxiliary Fuel Pump Kit

For use when the set is mounted higher than 36 inches from the fuel source. The kit includes an electric fuel pump, wiring harness, grommet and instruction sheet. Can be used on diesel or gasoline. (Instruction Sheet #G-300.)



GeneratorJoe

4016 Quartz Drive
Santa Rosa, CA 95405
Phone: 707 539-9003
Fax: 707 539-5212

Email: sales@generatorjoe.NET
Web www.generatorjoe.NET

CMM EFI Fuel System Kits

These kits contain all of the components required to connect a CMM EFI genset to various truck/van chassis. They allow insertion of a genset fuel pickup and return line through the chassis fuel filler neck. They can be installed without removing the truck body or the fuel tank. Kit contain: fuel pump with chassis-specific mounting bracket, fill neck adapter, lines, clamps, wire harnesses and other hardware for a complete installation. Executive order #D288-22. Order kit by chassis model.

- 541-0671** 1999–2004 Fuel-injected gas Ford F350 - F550 cab chassis with an aft-axle OEM tank.
- 541-0673** 1992–2004 Fuel-injected gas Ford E150, E250 and E350 Econoline (E-van) with a midship OEM fuel tank.
- 541-0767** 1994–2003 Fuel-injected gas Ford E450 & E 550 Cutaway van chassis with 55.0 gallon aft-axle OEM fuel tank.
- 541-0789** 2001–2003 GM fuel-injected pickup LWB/SWB.
- 541-1153** 2004–2005 GM 2500 HD, EFI genset.
- 541-0933** 2003–2004 GM 4500 Silverado cab chassis

CMM and CME Carbureted

These kits allow the user to install a fuel pickup through the filler neck on the chassis, so a carburetor genset can be hooked up. These kits do not contain an EFI fuel pump. They consist of a fill neck adapter and hose. They are for use with a CME or CMM carburetor genset (NOT EFI, see above). These kits can be installed without removing the fuel tank or the truck body from the chassis. Executive order #D288-22. Order kit by chassis model.

- 541-0788** 1999–2004 Ford pickup, Carb with diesel genset.

Fuel Pump Kits for Workhorse RV Chassis Only*

* Installation in any other chassis will require CARB and EPA approval of the design.

- 147-0870-02** Fuel pump kit
- 149-2647** Return pump kit

Fuel Pump Kits for Trailer (self-contained fuel systems) Installations**

* Requires DOT approved tank.

- 147-0870-02** Fuel pump kit
- 541-0530** Aux. fuel pump kit



Typical fuel system kit with pump

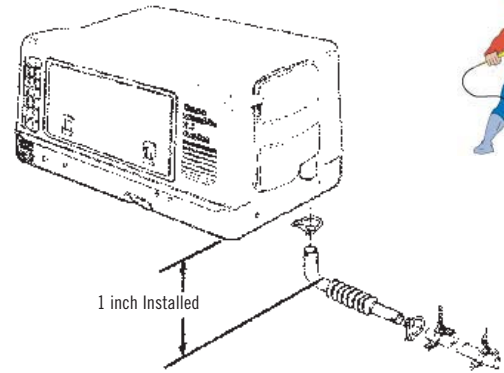
MicroLite™ KV (KV 2000, 2300, 2500, 2800) Accessories



Tailpipe & Exhaust Tube Kits

Plan each individual exhaust system carefully. A proper installation is not only vapor-tight, but is quieter and safer. Be sure to **check** all applicable **vehicle standards, and state and federal codes (including ANSI A119.2/NFPA 501C)** regarding exhaust installations for vehicles. Be sure the installation meets all applicable codes and requirements. **Refer to the proper Onan instruction sheet and installation manual for recommendations and important safety precautions** to follow when installing an exhaust system.

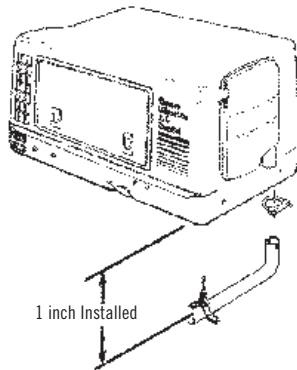
MicroLite generator sets have a built-in USDA Forest Service approved spark arrester muffler. **It is necessary to equip the generator set with a tailpipe at installation.**



155-2325

Aluminized Steel Tailpipe Kit

For MicroLite applications from 18 inches to 25 inches (457 to 635 mm). Kit includes exhaust tube, hanger clamp, clamp, and instructions. (Instruction Sheet #G-63). Additional hanger clamps may be necessary (Part #155-2174). The exhaust tube is constructed of 16 gauge steel. The hanger clamps have a vibration isolated design to reduce rigid exhaust pipe stresses. (Instruction Sheet #C-063.)



GeneratorJoe

155-2324

Stainless Steel Exhaust Tube Kit

For MicroLite applications of more than 25 inches (635 mm). Exhaust tube is 14 inches (356 mm) long and includes a vibration isolation section; designed for use with additional 1-1/2 inch O.D. standard exhaust tailpipe when required. Kit includes exhaust tube, hanger clamp, clamps and instructions. (Instruction Sheet #G-62). Additional hanger clamps may be necessary (Part #155-2174).

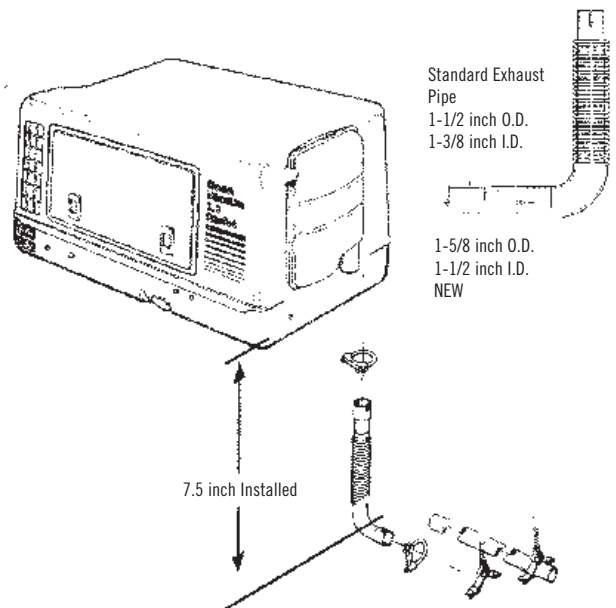
The exhaust tube is constructed of seamless 16 gauge corrugated stainless steel for flexibility to reduce vibration stresses. The hanger clamps are a universal mount, vibration isolated design to reduce rigid tailpipe stresses. (Instruction Sheet #C-062.)

155-2425

7.5 Inch Stainless Steel Extended Down Tube Kit

For MicroLite applications that require additional vertical tailpipe clearance (7-1/2 inches).

The exhaust tube is constructed of seamless 16-gauge corrugated stainless steel for flexibility, to reduce vibration stresses. The hanger clamps are universal mount, vibration isolated design to reduce rigid tailpipe stresses. (Instruction Sheet #G-82). Additional hanger clamps may be necessary (Part #155-2174). Reference page 29. (Instruction Sheet #C-082.)



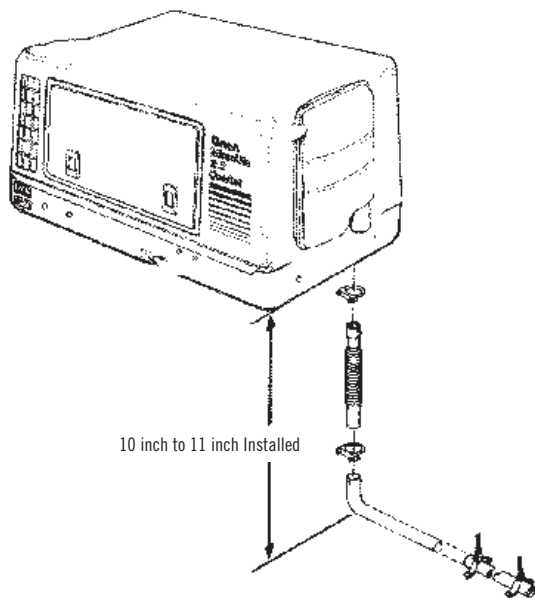
4016 Quartz Drive
Santa Rosa, CA 95405
Phone: 707 539-9003
Fax: 707 539-5212

Email: sales@generatorjoe.NET
Web www.generatorjoe.NET

155-2771

11.8 Inch Stainless Steel Extended Down Tube Kit

For MicroLite applications that require 10 to 11 inch (300 mm) tail pipe clearance for extra thick flow and other obstacles. Kit includes exhaust tube, hanger clamp, clamps and instructions. Additional hanger clamps may be necessary (Part #155-2174). (Instruction Sheet #G-082.)



Installation Templates

539-0977

Underfloor MicroLite KV Installation Template

A paper guide for marking holes to install underfloor 403-2689 mounting kit. (Included in Mounting Kit #403-2689.) To order, contact elaine.f.glubka@cummins.com, 763-574-5627.

539-1386

Compartment Mount MicroLite KV Installation Template

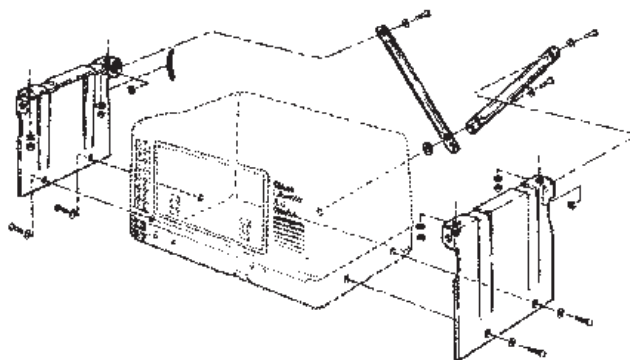
A paper guide for marking holes to install MicroLite sets in conventional compartments. To order, contact elaine.f.glubka@cummins.com, 763-574-5627.

Mounting Conversion Kits

403-2689

Mounting Kit

For underfloor installations, brackets and hardware included. (Instruction Sheet #G-60.) (Exhaust tailpipe not included.)

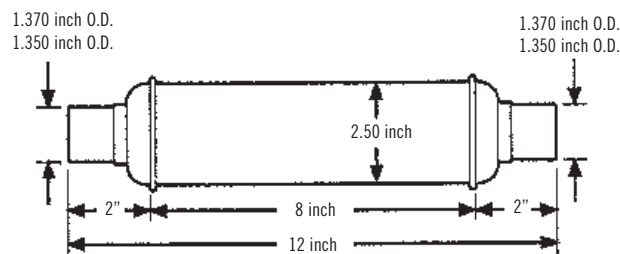


Note: All installations must be made in accordance with ANSI 119.2/NFPA 501C. Refer to the proper Onan instruction sheet and installation manual for recommendations and important safety precautions to follow when installing this kit. (Instruction Sheet #G-490.)

155-2449

Exhaust Resonator

For use with MicroLite Gensets. Softens exhaust noise and can reduce sound levels in some installations up to one dB(A). Constructed of aluminized steel, and mates with standard 1-1/2 inch O.D. exhaust pipe. Requires a 1-1/2 inch (38mm) O.D. pipe clamp (Part #155-1015).



GeneratorJoe



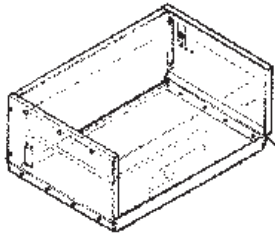
4016 Quartz Drive
Santa Rosa, CA 95405
Phone: 707 539-9003
Fax: 707 539-5212
Email: sales@generatorjoe.NET
Web www.generatorjoe.NET



Mounting Kits

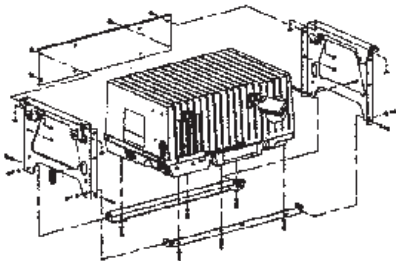
405-4241 Housing Kit

For underfloor installation. Can be used with MicroQuiet KY if Part #403-3630 Base Adapter Kit is added. (Instruction Sheet #G-85.)



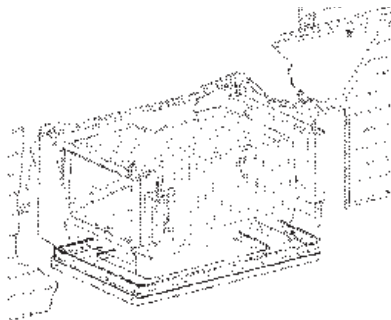
403-3670 Underfloor Mounting Kit

For underfloor MicroQuiet KY installations attaching directly to vehicle floor, or floor supports. If template for mounting to the floor is required, order Part #539-1535-01 separately. (Instruction Sheet #G-202.)



403-3630 Base Adapter Kit

Adapts the standard MicroQuiet KY tray to a CME, CMM or CMM EFI base bolt pattern. Can be used with Part #405-4241 Housing Kit. (Instruction Sheet #G-208.)



Installation Templates

539-1535-01 Underfloor MicroQuiet KY Installation Template

A paper guide for marking holes to install MicroQuiet KY underfloor kit Part #403-3670. To order, contact elaine.f.glubka@cummins.com, 763-574-5627.

539-1546-01 Compartment Mount MicroQuiet KY Installation Template

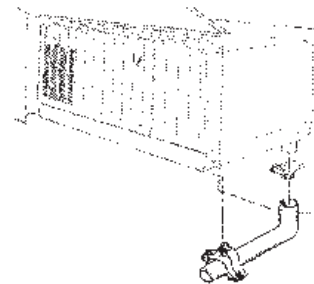
A paper guide for marking holes to install the MicroQuiet KY in conventional compartments.

Exhaust Kits

155-2845 Tailpipe Kit

Contains tailpipe, clamp, and a hanger that connects to the bottom of the mounting tray to direct exhaust to the side of the vehicle. Tailpipe hangs approximately 1 inch below the genset tray. Use on underfloor installations and those where the vehicle's sidewalls don't extend below the genset. (Instruction Sheet #G-206.)

For installations requiring additional clearance, also use Part #155-2850 Exhaust Tube.



GeneratorJoe

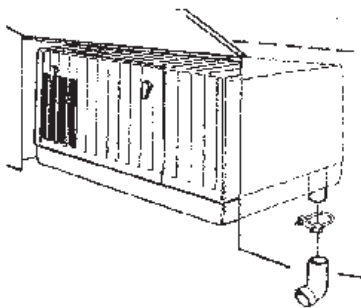


4016 Quartz Drive
Santa Rosa, CA 95405
Phone: 707 539-9003
Fax: 707 539-5212
Email: sales@generatorjoe.NET
Web www.generatorjoe.NET

155-2847

Elbow Adapter Kit

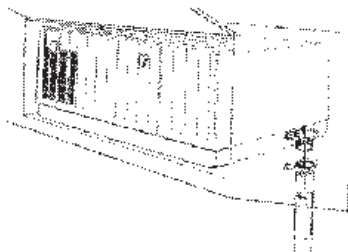
Contains the elbow and clamp for the muffler for a 90° turn to horizontal from the muffler outlet. The elbow expands to clamp on a 1-1/2 inch O.D. tailpipe. Additional tailpipe, clamp and a hanger will also be needed.



155-2850

Exhaust Tube

12 inches long, 1-1/8 inch O.D. tube used as a down tube extension. It can be cut to length and other tailpipes added to it. Tailpipe Kit Part #155-2845 can be added for above floor installations if the sidewall is too low.



GeneratorJoe

Harnesses

305-0979

Pigtail to Set

Pigtail kit that connects to the sealed remote connector and sealed splices on all gasoline and LP gensets with sealed remote connector. (Spec F and later, and KV Spec F and later.) (Instruction Sheet #C-571).



338-3489-01 5-wire

10 Foot Remote Harness

338-3489-02 5-wire

30 Foot Remote Harness

Easy plug connection between gensets with remote sealed connectors and control panels Part #300-4936, 300-4937 and 300-4938, 300-5331, 300-5332 and 300-5333.



4016 Quartz Drive
Santa Rosa, CA 95405
Phone: 707 539-9003
Fax: 707 539-5212
Email: sales@generatorjoe.NET
Web www.generatorjoe.NET



Battery

416-0579

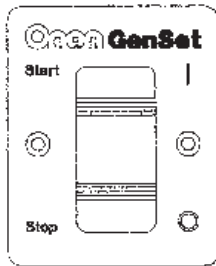
Battery

12-Volts, SAE 24, 420 cold cranking amps at 0° F; 20 pounds, dry.

Remote Control Panels

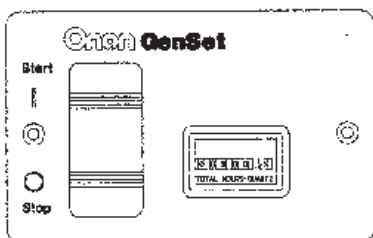
300-5331 with Diagnostic Light
300-4936 without Diagnostic Light
Switch Only

For use with all gasoline and LPG gensets. Features an illuminated start/stop switch with mounting plate. The kit includes mounting screws, panel assembly and instruction sheet with mounting template. Onan extension harnesses part #338-3489-01 and 338-3489-02 provide easy plug-in connection. For continuous stop feature, use commercial 6-wire harnesses 338-4155-01 (10ft.), or 338-4155-02 (30 ft.). (With Diagnostic Light Instruction Sheet # C-590. Without Diagnostic Light Instruction Sheet #C-537).



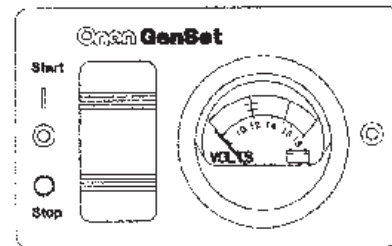
300-5332 with Diagnostic Light
300-4937 without Diagnostic Light
Switch and Hourmeter

For use with all gasoline and LPG gensets. Features an illuminated start/stop rocker switch and hourmeter with mounting plate. The kit includes mounting screws, panel assembly and instruction sheet with mounting template. For continuous stop feature, use commercial 6-wire harnesses 338-4155-01 (10ft.), or 338-4155-02 (30 ft.). (With Diagnostic Light Instruction Sheet #C-590. Without Diagnostic Light Instruction Sheet #C-537.)



300-5333 with Diagnostic Light
300-4938 without Diagnostic Light
Switch and Voltmeter

For use with all gasoline and LPG gensets. Features an illuminated start/stop rocker switch and voltmeter with mounting plate. The kit includes mounting screws, panel assembly and instruction sheet with mounting template. For continuous stop feature, use commercial 6-wire harnesses 338-4155-01 (10ft.), or 338-4155-02 (30 ft.).(With Diagnostic Light Instruction Sheet # C-590. Without Diagnostic Light Instruction Sheet #C-537.)



Harnesses

338-4156
Pigtail 6-wire

This pigtail has an additional wire to allow connection to the commercial genset continuous stop feature. Commonly used when the genset is located where the operator wants to lock the genset out so a passerby cannot start it. Do NOT buy this pigtail if you do not need the continuous stop feature.



Plug packard electronics #12047931

GeneratorJoe



4016 Quartz Drive
 Santa Rosa, CA 95405
 Phone: 707 539-9003
 Fax: 707 539-5212

Email: sales@generatorjoe.NET
 Web www.generatorjoe.NET

General Gasoline and LP Accessories, *cont.*

338-4155-01

10' long 6-wire remote harness

This harness has an additional wire to allow connection to the commercial genset continuous stop feature. Commonly used when the genset is located where the operator wants to lock the genset out so a passerby cannot start it. Do NOT buy this harness if you do not need the continuous stop feature.

338-4155-02

30' long 6-wire remote harness

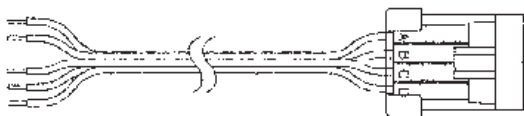
This harness has an additional wire to allow connection to the commercial genset continuous stop feature. Commonly used when the genset is located where the operator wants to lock the genset out so a passerby cannot start it. Do NOT buy this harness if you do not need the continuous stop feature.



300-4946

Pigtail to Set

Pigtail that connects to the sealed remote connector on all gasoline and LP gensets with sealed remote.



338-3572

Pigtail at Control Panel

Mating plug and 6-inch harness for use with new control panels part #300-4936, 300-4937 and 300-4938 to allow the installer to make a harness connection to the genset.



338-3513

New Set to Old Panel Adapter Harness

Adapts the sealed connector on new-style gensets, Spec M or later, to a vehicle wired for the old-style connector.



338-3673 Part Only

Old Set to New Panel Adapter Harness

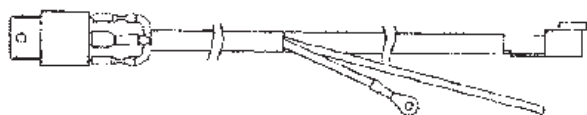
Adapts the connector on old-style gensets, Spec J, K and L, to the new-style sealed connector for use with the new control panel extension harnesses.



542-0336

Start Enable Relay Kit

For use with Commercial BGD and NHD generator sets. (Instruction Sheet #C-100.)



GeneratorJoe

4016 Quartz Drive
Santa Rosa, CA 95405
Phone: 707 539-9003
Fax: 707 539-5212
Email: sales@generatorjoe.NET
Web www.generatorjoe.NET



CMSD Series (HDKAS, AL, AG) Accessories

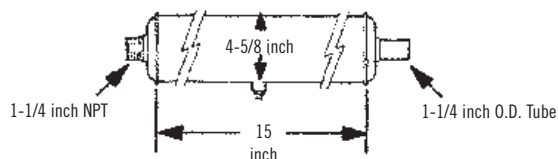


Exhaust Components

155-2068

Muffler

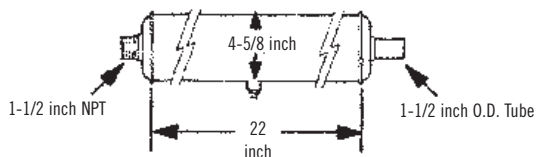
For use with HDKAL, AS gensets. USDA Forest Service approved spark arrester muffler. Note: Exhaust tailpipe NOT included.



155-2262

Muffler

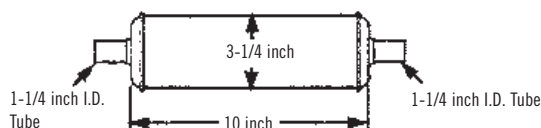
For use with HDKAG gensets. USDA Forest Service approved spark arrester muffler. Note: Exhaust tailpipe NOT included.



155-2653

Exhaust Resonator

For use with all standard diesel gensets. Softens exhaust noise and can reduce sound levels in some installations up to one dB(A). Mates with 1-1/4 inch O.D. exhaust pipe. Constructed of aluminized steel. Requires a 1-3/8 inch O.D. pipe clamp (Part #155-1257.)



154-2852 Part Only

Exhaust Adapter

Straight, flange to 1-1/4 inch pipe thread.



Fan Conversion Kits

130-4121 Part Only

Sucker Fan Kit

Converts a HDKAG pusher fan unit to a suction fan unit. (Pulls air through radiator toward engine.)

130-4556 Part Only

Pusher Fan Kit

Converts a HDKAG suction fan unit to a pusher fan unit. (Pushes air from engine through radiator.)

Begin Spec B HDKAL & HDKAS Fan Conversion Kits

130-5042 Part Only

Sucker Fan Kit

Converts a HDKAL/S pusher fan unit to a suction fan unit. (Pulls air through radiator toward engine.)

130-5041 Part Only

Pusher Fan Kit

Converts a HDKAL/S suction fan unit to a pusher fan unit. (Pushes air from engine through radiator.)

Remote AC Boxes

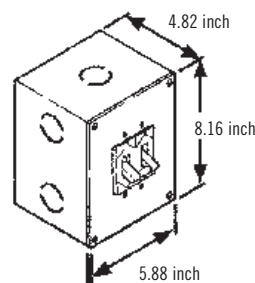
320-1948: 20A & 30A; AL, AS

320-1950: 30A 2 pole; AL

320-1949: 35A 2 pole; AL

320-1840: 45A 2 pole; AG

(Instruction Sheet for all above #C-408.)



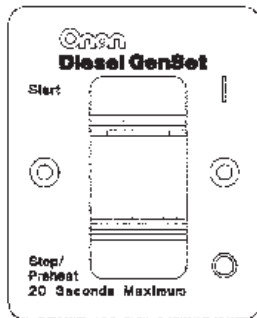
4016 Quartz Drive
Santa Rosa, CA 95405
Phone: 707 539-9003
Fax: 707 539-5212
Email: sales@generatorjoe.NET
Web www.generatorjoe.NET

GeneratorJoe

Remote Control Panels

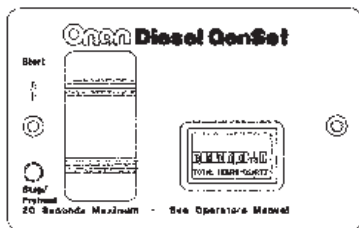
300-4939 Switch Only

For use with all standard diesel gensets. Features an illuminated start/stop switch with mounting plate. The kit includes mounting screws, panel assembly and instruction sheet with mounting template. Onan extension harnesses Part #338-3490-01 and 338-3490-02 provide easy plug-in connection. (Instruction Sheet #C-538.)



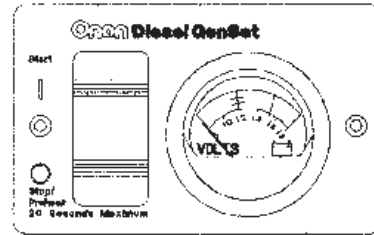
300-4940 Switch and Hourmeter

For use with all standard diesel gensets. Features an illuminated start/stop rocker switch and hourmeter with mounting plate. The kit includes mounting screws, panel assembly and instruction sheet with mounting template. Onan extension harnesses Part #338-3490-01 and 338-3490-02 provide easy plug-in connection. (Instruction Sheet #C-538.)



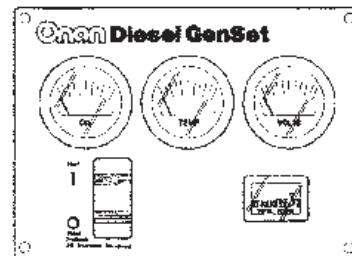
300-4941 Switch and Voltmeter

For use with all standard diesel gensets. Features an illuminated start/stop rocker switch and voltmeter with mounting plate. The kit includes mounting screws, panel assembly and instruction sheet with mounting template. Onan extension harnesses Part #338-3490-01 and 338-3490-02 provide easy plug-in connection. (Instruction Sheet #C-538.)



300-5026 Remote Gauge Panel

For use with all standard diesel gensets. Features an illuminated start/stop rocker switch, DC voltage meter, water temperature gauge, oil pressure gauge and hourmeter with mounting plate. The kit includes mounting screws, panel assembly and instruction sheet with mounting template. Onan extension harnesses Part #338-3490-01 and 338-3490-02 provide easy plug-in connection. (Instruction Sheet #C-546.) **When used on HDKAL and HDKAS, also requires oil pressure sender Part #193-0244 and coolant temperature sender Part #193-0318.**



300-4966 Remote DC Gauge Kit

DC gauge package kit for the HDKAS and HDKAL. Features an oil pressure gauge, water temperature gauge and DC voltage meter. Can be set or remote mounted. **When used on HDKAL and HDKAS, also requires oil pressure sender Part #193-0244 and coolant temperature sender Part #193-0318.** (Instruction Sheet #C-534.)

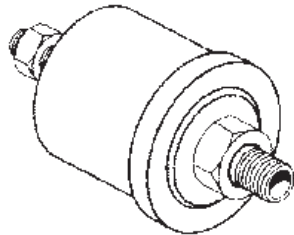
GeneratorJoe

4016 Quartz Drive
Santa Rosa, CA 95405
Phone: 707 539-9003
Fax: 707 539-5212
Email: sales@generatorjoe.NET
Web www.generatorjoe.NET

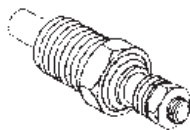


Senders

193-0244-99 Part Only
Oil Pressure Sender



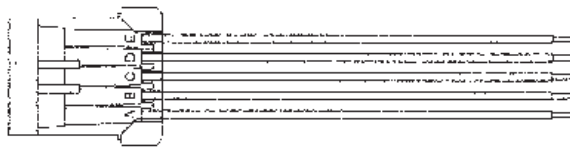
193-0318 Part Only
Coolant Temperature Sender



Harnesses

300-4947
Pigtail to Set

Pigtail that connects to the sealed remote connector on HDKAS, AL diesel gensets with sealed remote connector.



338-2102 Part Only
Pigtail to Set, HDKAG



338-3490-01
10 Foot Remote Harness HDKAS, AL

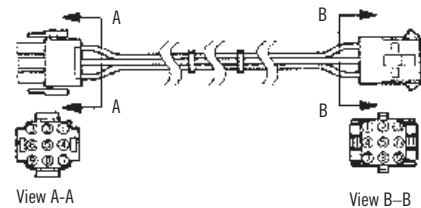
338-3490-02
30 Foot Remote Harness HDKAS, AL



338-2237 Part Only
15 Foot Remote Harness HDKAG

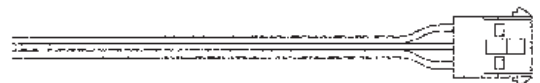
338-2238 Part Only
25 Foot Remote Harness HDKAG

Easy plug connection between gensets with remote sealed connectors and control panels 300-4939, 300-4940 and 300-4941.



338-3573
Pigtail at Control Panel

Mating plug and 6 inch harness for use with control panels 300-4939, 300-4940 and 300-4941 to allow the installer to make a harness to connect to the genset.



Generator Joe

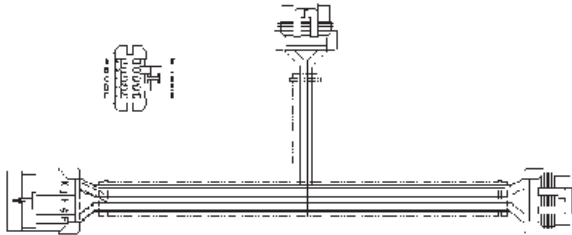
4016 Quartz Drive
Santa Rosa, CA 95405
Phone: 707 539-9003
Fax: 707 539-5212
Email: sales@generatorjoe.NET
Web www.generatorjoe.NET

CMSD Series (HDKAS, AL, AG) Accessories, cont.

338-3526

Junction Harness

For use with the HDKAS and HDKAL to connect a DC gauge kit and a remote panel or two remote panels.

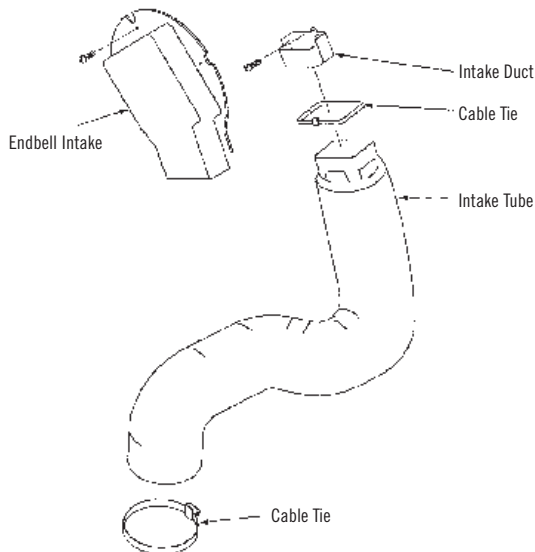


Ducting Kit

140-3214

HDKAS/HDKAL/HDKAG Ducting Kit

For use with the HDKAS, HDKAL and HDKAG suction fan units when mounted in compartments. The kit includes an airduct, hoses, hardware and instruction sheet. (Instruction Sheet #G-407.)



541-0564

Fuel Pump Kit

For use when the set is mounted higher than 36 inches from the fuel source. The kit includes the pump with straight in and out 1/8-27 NPSF fittings, wire connectors and Instruction Sheet #G-435.

Remote Mounted DC Control

For use in mounting the DC control box to a remote location. Requires one each of Part #338-2912 and 338-2914.

338-2912

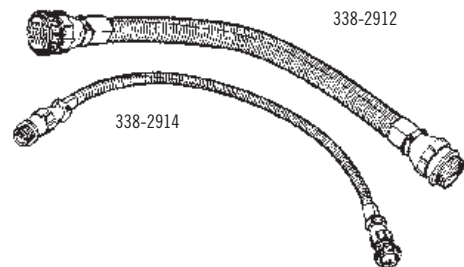
DC Remote Harness Series

DC Harness	Length
338-2912-01	18 in.
338-2912-02	36 in.
338-2912-03	84 in.
338-2912-04	120 in.
338-2912-05	156 in.

338-2914

AC Remote Harness Series

AC Harness	Length
338-2914-02	36 in.
338-2914-03	84 in.
338-2914-04	120 in.
338-2914-05	156 in.



GeneratorJoe

4016 Quartz Drive
 Santa Rosa, CA 95405
 Phone: 707 539-9003
 Fax: 707 539-5212
 Email: sales@generatorjoe.NET
 Web www.generatorjoe.NET

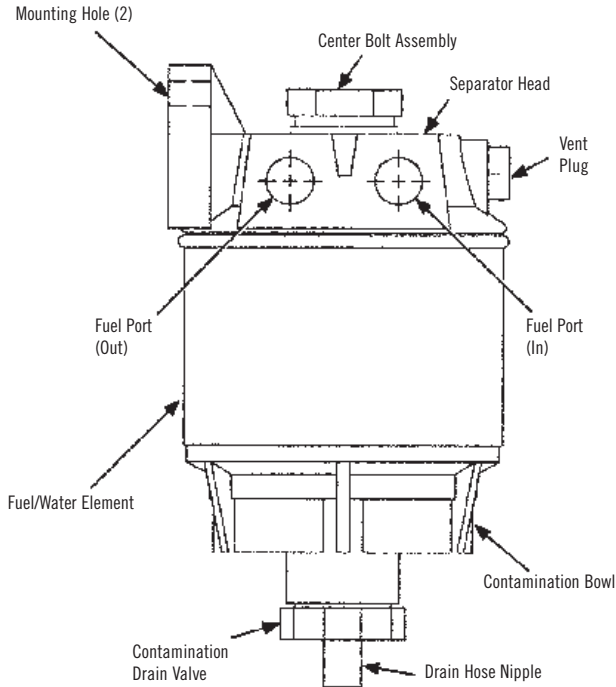


Fuel Filter/Water Separator Kit

149-2573

Racor Fuel Filter/Water Separator Kit

For use with the HDKAS and HDKAL diesel gensets. Kit includes fuel/water separator and all necessary hardware. (Instruction Sheet #G-297.)

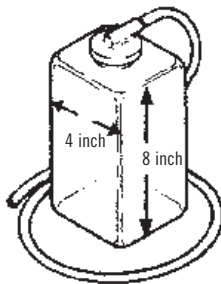


Coolant Overflow Recovery Kit

130-2781

Coolant Overflow Recovery Kit

One quart capacity. Fits with standard vented cap. Allows recovery of coolant in high ambient operation. (Instruction Sheet #A-304.)



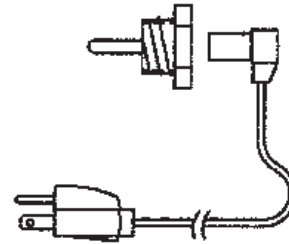
4016 Quartz Drive
 Santa Rosa, CA 95405
 Phone: 707 539-9003
 Fax: 707 539-5212
 Email: sales@generatorjoe.NET
 Web www.generatorjoe.NET

Engine Block Heater Kit

333-0593

Engine Block Heater Kit

For use with all standard diesel gensets. 400W, 120VAC. (Instruction Sheet #G-288.) Will NOT work on the CMQD genset.

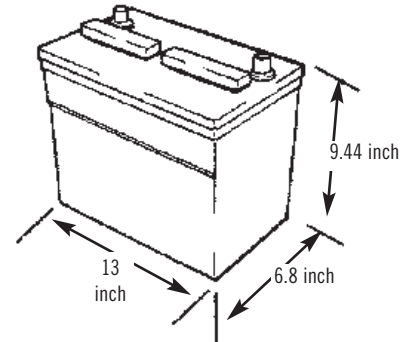


Batteries

416-0796

Battery

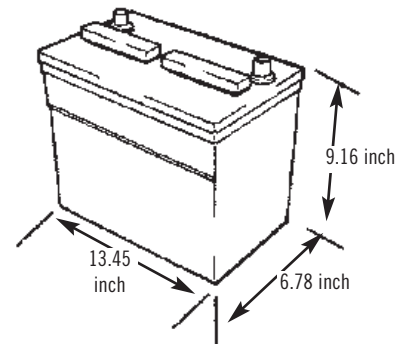
12V; SAE 31, 660 cold cranking amps at 0° F, 62 pounds, wet.



416-0823

Battery

12V; SAE 30H, 620 cold cranking amps at 0° F, 42 pounds, dry.





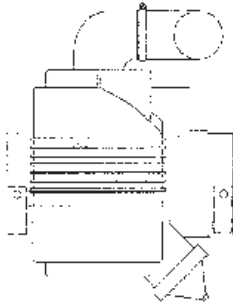
CMQD Series (HDKAT, HDCAC/HDKCC, HDCAD/HDKCD, HDKBB) Accessories

Air Cleaner Kit

541-0531

Remote Air Cleaner Kit HDKAT

For use when access to the set mounted air cleaner is limited. (Instruction Sheet #G-299.)



Fuel Pump Kit

541-0530

Auxiliary Fuel Pump Kit (HDKAT, HDKBB)

For use when the genset is mounted higher than 36 inches from the fuel tank. The kit includes an electric fuel pump, wiring harness, grommet and instruction sheet. (Instruction Sheet #G-300.) Can be used on diesel or gasoline.



Generator Joe

Exhaust Components

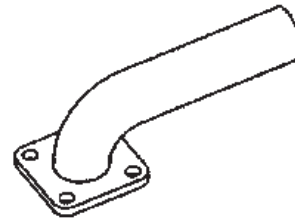
155-2982

Exhaust Elbow HDKAT, HDKBB

155-3194

Exhaust Elbow HDCAC/HDKCC

90° exhaust adapter elbow. Adapts flange to 1-3/8 inch O.D. tube. (For use with 1-1/2 inch O.D. tailpipe.)



155-2610

3-Inch Exhaust Tube

Straight tube, adapts flange to 1-3/8 inch O.D. tube. (For use with 1-1/2 inch O.D. tailpipe.)

155-2424

7-Inch Exhaust Tube

Straight tube, adapts flange to 1-3/8 inch O.D. tube. (For use with 1-1/2 inch O.D. tailpipe.)



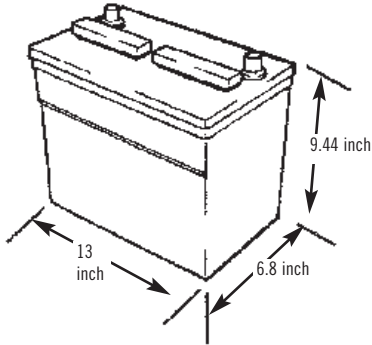
4016 Quartz Drive
Santa Rosa, CA 95405
Phone: 707 539-9003
Fax: 707 539-5212
Email: sales@generatorjoe.NET
Web www.generatorjoe.NET

Batteries

416-0796

Battery

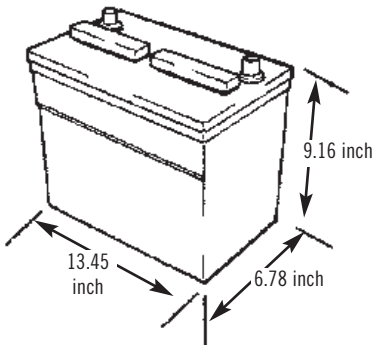
12V; SAE 31, 600 cold cranking amps at 0° F, 62 pounds, wet.



416-0823

Battery

12V; SAE 30H, 620 cold cranking amps at 0° F, 42 pounds, dry.



GeneratorJoe

Remote Control Panels

300-4942

Switch Only

For use with all CMQD Quiet Diesel gensets. Features an illuminated start/stop switch and flashing light code with mounting plate. The kit includes mounting screws, panel assembly and instruction sheet with mounting template. Onan extension harnesses Part #338-3490-01 and 338-3490-02 provide easy plug-in connection. (Instruction Sheet #C-539).



300-4943

Switch and Hourmeter

For use with all CMQD Quiet Diesel gensets. Features an illuminated start/stop rocker switch, flashing light code and hourmeter with mounting plate. The kit includes mounting screws, panel assembly and instruction sheet with mounting template. Onan extension harnesses Part #338-3490-01 and 338-3490-02 provide easy plug-in connection. (Instruction Sheet #C-539).

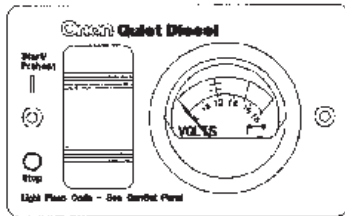


4016 Quartz Drive
 Santa Rosa, CA 95405
 Phone: 707 539-9003
 Fax: 707 539-5212
 Email: sales@generatorjoe.NET
 Web www.generatorjoe.NET

300-4944

Switch and Voltmeter

For use with all CMQD Quiet Diesel gensets. Features an illuminated start/stop rocker switch, flashing light code and voltmeter with mounting plate. The kit includes mounting screws, panel assembly and instruction sheet with mounting template. Onan extension harnesses Part #338-3490-01 and 338-3490-02 provide easy plug-in connection. (Instruction Sheet #C-539).



300-5218

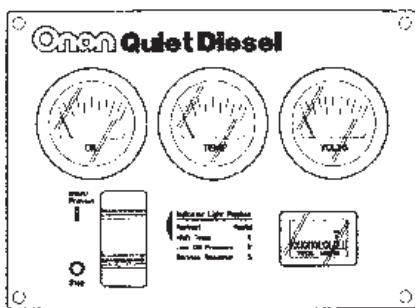
300-5027

Remote Gauge Panels—HDKAT only

For use with Quiet Diesel gensets. Features an illuminated start/stop rocker switch, DC voltage meter, water temperature gauge, oil pressure gauge and hourmeter with mounting plate. The kit includes mounting screws, panel assembly and instruction sheet with mounting template. Onan extension harnesses Part # 338-3490-01 and 338-3490-02 provide easy plug-in connection. (Instruction Sheet #C-547.) This panel only works on 7.5 HDKAT.

Use **300-5218** for HDKAT Spec A.

Use **300-5027** for HDKAT beginning Spec B.



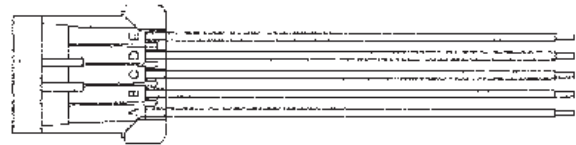
GeneratorJoe

Harnesses

300-4947

Pigtail to Set

Pigtail that connects to the sealed remote connector on all CMQD Quiet Diesel gensets.



338-3490-01

10 Foot Remote Harness

338-3490-02

30 Foot Remote Harness

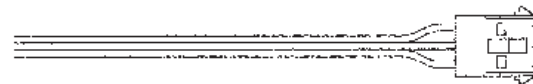
Easy plug connection between gensets with remote sealed connectors and control panels 300-4942, 300-4943, 300-4944, 300-5027 and 300-5218.



338-3573

Pigtail at Control Panel

Mating plug and 6-inch harness for use with control panels 300-4942, 300-4943, 300-4944, 300-5027 and 300-5218 to allow the installer to make a harness to connect to the genset.



4016 Quartz Drive
 Santa Rosa, CA 95405
 Phone: 707 539-9003
 Fax: 707 539-5212
 Email: sales@generatorjoe.NET
 Web www.generatorjoe.NET

Control Panels

541-1092 Single Phase 541-1093 3 Phase Star 541-1095 3 Phase Delta LED Display Meter

This LED display meter can be used to display amps, volts and Hz of the system. Kit contains meter current, transformers, voltage transformer, wiring harnesses and instructions. It can also be used on diesel gensets if desired (use 541-1092 single phase unit).



Single Phase



Three Phase

Protec Lead Kits

These output lead kits are sized to 120/240 single phase voltage and 120/208 three phase voltage. If the generator is reconnected to a different voltage, select the kit with the appropriate wire size.

These lead kits consist of 12-foot AC output leads to connect generator to the distribution panel and 12-foot leads to connect the generator to the voltage regulator.

Output Lead P/N	For Use With	Wire Size
541-0519	15 & 20kW, Single & Three Phase 25 kW Single Phase	#4 AWG
541-0520	25 kW Single Phase 32 kW Three Phase	#2 AWG
541-0518	30kW Single Phase 40kW Three Phase	#1 AWG
541-0539	35kW Single Phase	#1/0 AWG

Control Panels

For use with single phase Protec units. Control panels includes voltmeter, ammeter, hourmeter, frequency meter and line circuit breaker.

Control Panel P/N	Hertz	kW	Circuit Breaker
300-4700 P0	50	12	70 Amp, 2-pole
300-4589	60	15	70 Amp, 2-pole
300-4590	60	20	85 Amp, 2-pole
300-4701 P0	50	20	85 Amp, 2-pole
300-4591	60	25	100 Amp, 2-pole
300-4592	60	30	150 Amp, 2-pole
300-4593	60	35	175 Amp, 2-pole

P0 indicates Part Only



GeneratorJoe



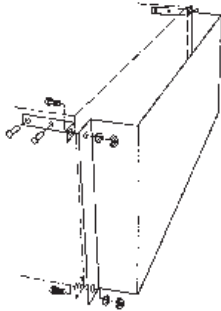
4016 Quartz Drive
Santa Rosa, CA 95405
Phone: 707 539-9003
Fax: 707 539-5212
Email: sales@generatorjoe.NET
Web www.generatorjoe.NET



CMHG Series (RBAA 6000, 8000, 10000, 15000, 20000) Accessories

Enclosure Kit (Air Discharge)

Attaches to the side of the CMHG genset. Allows air to be blown up or down.



P/N	kW	Spec
541-0762	6, 8	A, B
541-0873	6, 8	C
541-0873	10	A and B
541-0911	15	A

Harnesses Part Only

The following harnesses allow length extensions by increments of 15 feet.

338-4086	Harness-Valve	From genset to the solenoid valve on the pump manifold
338-4087	Harness-Meter (Power)	From the genset to the FRC display
338-4088	Harness-Sensor (Temp)	From the FRC display to the temperature sensor located on the filter assembly on the reservoir
338-4089	Harness-AC (Sense)	From the genset to the FRC display



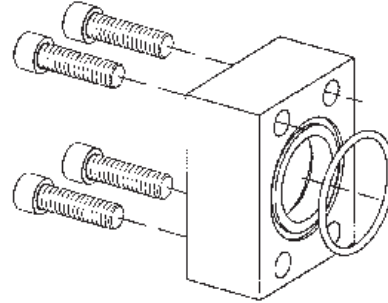
Generator Joe

4016 Quartz Drive
 Santa Rosa, CA 95405
 Phone: 707 539-9003
 Fax: 707 539-5212
 Email: sales@generatorjoe.NET
 Web www.generatorjoe.NET

Other Accessory Kits

541-0763 Adapter Kit

Adapter kit with O-ring and bolts to allow connection to the suction port on the back of the 57 cc CMHG hydraulic pump. Adapter is 2" code 61 x -24 SAE straight thread.

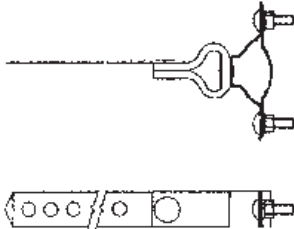


Exhaust Hanger

155-2174

Exhaust Hanger

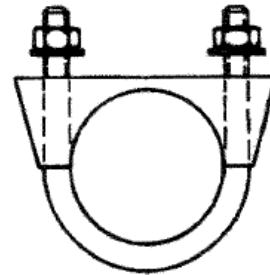
Fits 1-1/2 inch O.D. exhaust tailpipe.



Clamps Part Only

The following clamps are marked according to the I.D. (inside diameter) of the tubing being clamped. Onan drawings specify "to fit a specific diameter," inch which is the O.D. (outside diameter) of the tubing. These two numbers differ by 1/8 inch.

Tube O.D.	Tube I.D.	Clamp Stamped	Clamp P/N
1-1/4 in.	1-1/8 in.	1-1/8 in.	155-1256
1-3/8 in.	1-1/4 in.	1-1/4 in.	155-1257
1-1/2 in.	1-3/8 in.	1-3/8 in.	155-1015
1-5/8 in.	1-1/2 in.	1-1/2 in.	155-1239



Generator Joe

4016 Quartz Drive
 Santa Rosa, CA 95405
 Phone: 707 539-9003
 Fax: 707 539-5212
 Email: sales@generatorjoe.NET
 Web www.generatorjoe.NET



Installation Templates

The following templates (paper guides) are available to assist you in marking holes for genset installations. Contact Elaine Glubka, elaine.f.glubka@cummins.com, 763-574-5627.

Part #	Template Description
539-0977	MicroLite KV underfloor mount. (Included in mounting kit 403-2689.)
539-1386	MicroLite KV compartment mount.
539-1546-01	MicroLite KY compartment mount.
539-1535-01	MicroLite KY underfloor mount.
539-2056	CME HGJAF
539-2057	CMM HGJAD and CMM EFI HGJAE
539-2155	CMQD HDKBB
539-1810-01	CMQD HDKAT
539-3869	CMQD HDCAC/D Spec C
539-4844	CMQD HDKCC/D
539-1962	CMSD HDKAS and HDKAL Spec B and C.



GeneratorJoe

4016 Quartz Drive
Santa Rosa, CA 95405
Phone: 707 539-9003
Fax: 707 539-5212
Email: sales@generatorjoe.NET
Web www.generatorjoe.NET



420-0559 Part Only

Onan Oil Filter Wrench

Cup-type oil filter wrench for easy removal of genset oil filters. Fits all Onan gensets and all B and P Series engines.

420-0577

Onan Oil Filter Wrench

Cup-type oil filter wrench for easy removal of genset oil filters. Fits all Onan CME and CMM gensets.



326-5365 Part Only

OnaFresh™ GXL

A premium blended fuel additive formulated for long-lasting protection against gasoline and diesel fuel breakdown. Protects against gum and varnish formation, fuel system corrosion and sludge formation. 16 oz. bottle will treat 40 gallons of gasoline.



326-5278

4C

Get maximum power from engines. 4C Carburetor and Combustion Chamber Cleaner removes power robbing build-up of carbon, gum and varnish. 12 oz. aerosol can.



326-5288

Onagard™

Guard engines and equipment against rust and corrosion. Onagard is the easy way to help protect small engines and other mechanical equipment during off-season storage. 12 oz. aerosol can.



326-5342

Premium Fuel System Cleaner

A premium fuel system cleaner that promotes smoother, more efficient engine operation in all gasoline-fueled engines, fuel injected and carbureted. Cleans dirty carburetors, removes gum and varnish from fuel systems and reduces valve deposits. 12 oz. bottle.



GeneratorJoe



4016 Quartz Drive
Santa Rosa, CA 95405
Phone: 707 539-9003
Fax: 707 539-5212
Email: sales@generatorjoe.NET
Web www.generatorjoe.NET



Commercial Mobile Genset Parts

The following items cannot be ordered at the time of the generator purchase, and are parts, not accessories. Onan Commercial Mobile Generator accessories and parts are sold through our worldwide Cummins Onan Distributor/Dealer network. To locate a Distributor/Dealer near you, visit the dealer locator at www.onan.com.

To use this chart, find the model number and spec on your genset's nameplate.
Example: 4.5 BGD-FB 30502 = BGD BEGIN SPEC G

Commercial Emerald	Tune-up Kit	Oil Filter	Air Filter	Fuel Filter Pump/Carb	Spark Plug	Plug Wire Sets
CME 7000, 5500 (HGJAF)		122-0836	140-3116	149-2629	167-1638	
Commercial 4500 (BGD Spec A)	160-1378	122-0645	140-2379	149-1353/149-2333	167-0272	167-1616-01
Commercial 4500 (BGD Spec B)	160-1349-01	122-0645	140-2379	149-1353/149-2333	167-0272	167-1616-01
BGD Begin Spec G	***	122-0645	140-2379	149-1353/149-2333	167-0272	167-1616-01
Commercial 6500 (NHD Spec A-B)	160-1378	122-0800	140-2379	149-1353/149-2333	167-0272	167-1616-01
Commercial 6500 (NHD Spec C)	160-1349-01	122-0800	140-2379	149-1353/149-2333	167-0272	167-1616-01
NHD Begin Spec G	***	122-0800	140-2379	149-1353/149-2333	167-0272	167-1616-01

Marquis

CMM EFI 7000, 5500 (HGJAD)		122-0836	140-3116	147-0860	167-1638	
Marquis 5000 (BGM)	***	122-0645	140-2379	149-2279 (Start Spec B)	167-0272	*
Marquis 7000, 6500 (NHM)	***	122-0800	140-2379	149-2279 (Start Spec B)	167-0272	167-1616-01
CMM 7000, 5500 Gasoline (HGJAE)		122-0836	140-3116	149-2629	167-1638	
LP Vapor (HGJAE)		122-0836	140-3116	149-2637	167-1638	

MicroLite and MicroQuiet

MicroLite 2800/2500 (KV)	***	—	140-2105	149-2137	167-0263-02	*
MicroQuiet 4000/3600 (KY)	***	—	140-2609 (Spec A) 140-2852 (Beg B)	149-2341	167-0275 - 60 Hz 167-0305 - 50 Hz	*

* Ask your Onan Service Distributor/Dealer to assist you in identifying the correct maintenance parts for these models.

*** Electronic ignition. Requires spark plugs only.



GeneratorJoe

4016 Quartz Drive
Santa Rosa, CA 95405
Phone: 707 539-9003
Fax: 707 539-5212
Email: sales@generatorjoe.NET
Web www.generatorjoe.NET

Older Onan gensets

	Tune-up Kit	Oil Filter	Air Filter	Fuel Filter Pump/Carb	Spark Plug	Plug Wire Sets
BF	160-1328-01	122-0645	140-0495	–	167-0237	167-1616-01
BF Power Drawer	160-1154 312-0069	122-0645	140-1220	–	167-0262	167-1616-01
BFA (Spec A), BGA (Spec A)	160-1328-01	122-0645	140-0495	–	167-0237	167-1616-01
BFA (Start Spec B), BGA (Start Spec B), BGAL	160-1348-01	122-0645	140-0495	–	167-0298	167-1616-01
CCK (Spec A-U)	160-0002 312-0069	122-0800	140-0495	–	167-0237	167-1616-01
NH (Spec A-D)	312-0069 160-0002	122-0800	140-0495	–	167-0241	167-1553 (A-C) 167-1616-01 (Beg D)
NH (Spec J-N)	160-1328-01	122-0800	140-0495	–	167-0247	167-1616-01
NH (Start Spec P), NHL	160-1328-01	122-0800	140-0495	–	167-0272	167-1616-01
NH Power Drawer	160-1154 312-0069	122-0800	140-1229	–	167-0262	167-1616-01

Onan Diesel gensets

	Oil Filter	Air Filter	Fuel Filter	Glow Plug
DKC/DKD (Spec A-B)	122-0827	140-2842	149-2106	185-2289
DKD (Begin Spec C)	122-0827	140-2842	149-2106	185-2289
DKG	122-0827	140-2680	149-2106	185-2289
HDKAG	185-5835	140-2842	149-2106	185-6623 (A, B) 185-7266 (C)
Quiet Diesel HDKBB				
Quiet Diesel HDKAJ/T	122-0833	140-2897	149-2513	185-5421
Quiet Diesel HDCAC, D	187-1000	140-3071	149-2513	187-1289
HDKAS, AL, AQ, AR	185-5835	140-3071	149-2106	185-5421

All other models: Ask your certified Onan Distributor/Dealer for details.



Generator Joe

4016 Quartz Drive
 Santa Rosa, CA 95405
 Phone: 707 539-9003
 Fax: 707 539-5212
 Email: sales@generatorjoe.NET
 Web www.generatorjoe.NET



Commercial Mobile Service Support Literature

For a complete list of Onan Commercial Mobile literature, including manuals for older models, contact your Onan Distributor/Dealer.

Manuals

Current Model/Series	Operator's Manual	Service Manual	Installation Manual	Parts Manual
BGD	965-0175	965-0500	965-0632	965-0228
BGM	965-0138	965-0531	965-0633	965-0267
HDKAG, CMSD 8/10	981-0149	981-0516	981-0605	981-0252
KV, CM Microlite	981-0153	981-0518	981-0604	981-0238
KY, CM MicroQuiet	965-0154	981-0503	981-0607	981-0246
NHD	965-0175	965-0500	965-0632	940-0229
NHM	965-0138	965-0531	965-0633	940-0230
HDKAL, S, CMSD 6.0/7.5, 5.0/6.0	981-0104	981-0523	981-0619	981-0256
HDKBB CMQD 5,500	981-0167	981-0535	981-0634	981-0273
HDKAT, CMQD 7500	965-0100	981-0522	981-0610	981-0200
HDCAC, CMQD 10,000	965-0152	981-0526	981-0615	981-0259
HDCAD, CMQD 12,000	981-0165	981-0525	981-0632	981-0259
HGJAD, E, F, CMM EFI, CMM, CME	983-0102	983-0501	983-0601	983-0202
Protec YD CR	929-0101	900-0184	929-0601	929-0201
RBAA CMHG Series 6, 8, 10	943-0101	943-0501	943-0101	943-0201
RBAA CMHG 15	943-0101	943-0501	943-0101	943-0202
RBAA CMHG 20	943-0102	943-0502	943-0102	943-0203

Commercial Mobile Specification Sheets

Spec Sheet	Model #	Outline Drawing #
Gasoline Gensets		
A-1384	Commercial MicroLite 2800	500-2182
A-1421	Commercial MicroQuiet 4000	500-3297
A-1438	CME 5500	500-3450
A-1439	CME 7000	500-3450
A-1440	CMM 5500	500-3449
A-1441	CMM 7000	500-3449
A-1442	CMM EFI 5500	500-3449
A-1443	CMM EFI 7000	500-3449
PTO Protec		
A-1394	Protec AC PTO 12-40 kW	500-3142

Spec Sheet	Model #	Outline Drawing #
Diesel Gensets		
A-1452	CMQD 5500	500-3634
A-1392	CMQD 7500	500-3159
A-1412	CMQD 10,000	500-3295
A-1437	CMQD 12,000	500-3295
A-1388	CMSD 5.0/6.0 kW	500-3288
A-1390	CMSD 6.0/7.5 kW	500-3288
A-1393	CMSD 8.0/10.0 kW	500-3105
Hydraulic		
A-1435	CMHG 6000	500-3779
A-1436	CMHG 8000	500-3779
A-1447	CMHG 10,000	500-3779
A-1456	CMHG 15,000	500-3697
A-1459	CMHG 20,000	500-3763

**For current specification sheets
visit www.onan.com**

Miscellaneous Service Support Literature

Full-line Brochure Kit (includes 1405 & 1406)	F-1415
Full-Line Product Brochure	F-1405
Specifications Insert	F-1406
Certified Service and Parts Dealer Directory	F-1060
Commercial Mobile Product Literature CD	F-1485
Commercial Mobile Warranty	AB-2016-01
Commercial Mobile CMHG and Protec Warranty	AB-2017-01
Commercial Mobile Sales Catalog	F-1001
Commercial Mobile Accessories and Service Support Catalog	F-1106



GeneratorJoe

4016 Quartz Drive
Santa Rosa, CA 95405
Phone: 707 539-9003
Fax: 707 539-5212
Email: sales@generatorjoe.NET
Web www.generatorjoe.NET



Index of Accessories by Model

CME Series (HGJAF, HGJAE, HGJAD 5500, 7000)8	CMSD Series (HDKAS, AL, AG)19
Mounting Kit8	Exhaust Components19
Enclosure Assembly.....8	Fan Conversion Kits19
Installation Templates.....8	Remote AC Boxes19
Exhaust Kits8, 9	Remote Control Panels20
LPG Vapor Fuel Conversion Kit9	Senders21
CME, CMM, CMM EFI (HGJAF, HGJAE, HGJAD 5500, 7000)10	Harnesses21
Oil Drain & Other Accessory Kits10	Ducting Kit22
Harnesses10	Remote Mounted DC Control22
Circuit Breaker Kits10	Fuel Filter/Water Separator Kit23
Mounting Kit11	Coolant Overflow Recovery Kit.....23
Installation Templates.....10	Engine Block Heater Kit.....23
Tailpipe & Exhaust Tube Kits.....11	Batteries23
Fuel Pump Kits11	CMQD Series (HDKAT, HDCAC/HDKCC, HDCAD/HDKCD, HDKBB)24
CMM EFI Fuel System Kits.....12	Air Cleaner Kit24
MicroLite KV (KV 2000, 2300, 2500, 2800)13	Fuel Pump Kit24
Tailpipe & Exhaust Tube Kits.....13	Exhaust Components24
Installation Templates.....14	Batteries25
Mounting Conversion Kits14	Remote Control Panels25
MicroQuiet KY (KY 3300, 3600, 4000)15	Harnesses26
Mounting Kits15	Protec PTO27
Installation Templates.....15	Control Panels27
Exhaust Kits15	Protec Lead Kits27
Harnesses16	CMHG Series (RBAA)28
General Gasoline and LP Accessories17	Enclosure Kit (Air Discharge)28
Battery.....17	Harnesses28
Remote Control Panels17	Other Accessory Kits28
Harnesses17	Special Components29
	Exhaust Hanger.....29
	Clamps29
	Installation Templates30



GeneratorJoe

4016 Quartz Drive
 Santa Rosa, CA 95405
 Phone: 707 539-9003
 Fax: 707 539-5212
 Email: sales@generatorjoe.NET
 Web www.generatorjoe.NET

Index of Accessories by Part Number



Part Number.....Item	Page	Part Number.....Item	Page
123-2164Remote Oil Fill Kit	10	155-3481-01.....22-inch Tailpipe	11
130-2781Coolant Overflow Recovery Kit	23	155-3481-02.....26-inch Tailpipe	11
130-4121Sucker Fan Kit.....	19	193-0244-99.....Oil Pressure Sender.....	21
130-4556Pusher Fan Kit.....	19	193-0318Coolant Temperature Sender.....	21
130-5041Pusher Fan Kit.....	19	300-4589Protec Control Panel	27
130-5042Sucker Fan Kit.....	19	300-4590Protec Control Panel	27
140-3214HDKAS/HDKAL/HDKAG Ducting Kit	22	300-4591Protec Control Panel	27
147-0870-02.....EFI Fuel Pump Kit	12	300-4592Protec Control Panel	27
148-1161CME LPG Vapor Fuel Conversion Kit	9	300-4593Protec Control Panel	27
149-2573Racor Fuel Filter/Water Separator Kit	23	300-4700Protec Control Panel	27
149-2647EFI Fuel Pump Kit	12	300-4701Protec Control Panel	27
154-2852Exhaust Adapter	19	300-4936Remote Control Panel without Diagnostic Light	17
155-1015Tubing Clamp, 1-3/8 inch.....	29	300-4937Remote Control Panel without Diagnostic Light.....	17
155-1239Tubing Clamp, 1-1/2 inch.....	29	300-4938Remote Control Panel without Diagnostic Light.....	17
155-1256Tubing Clamp, 1-1/8 inch.....	29	300-4939Remote Control Panel, Switch Only.....	20
155-1257Tubing Clamp, 1-1/4 inch.....	29	300-4940Remote Control Panel, Switch and Hourmeter	20
155-2068Muffler	19	300-4941Remote Control Panel, Switch and Voltmeter	20
155-2174Exhaust Hanger.....	29	300-4942Remote Control Panel, Switch Only.....	25
155-2262Muffler	19	300-4943Remote Control Panel, Switch and Hourmeter	25
155-2324Stainless Steel Exhaust Tube Kit	13	300-4944Remote Control Panel, Switch and Voltmeter	26
155-2325Aluminized Steel Tailpipe Kit	13	300-4946Pigtail to Set	18
155-24247-inch Exhaust Tube	24, 29	300-4947Pigtail to Set Harness.....	21, 26
155-24257.5 Inch Stainless Steel Extended Down Tube Kit.....	13	300-4966Remote DC Gauge Kit	20
155-2449Exhaust Resonator	14	300-5026Remote Gauge Panel.....	20
155-26103-inch Exhaust Tube.....	24, 29	300-5027Remote Gauge Panel.....	25
155-2610-01.....12 1/2-inch Exhaust Tube	12, 20	300-5218Remote Gauge Panel.....	25
155-2653Exhaust Resonator	19	300-5331Remote Control Panel with Diagnostic Light	17
155-277111.8 Inch Stainless Steel Extended Down Tube Kit....	14	300-5332Remote Control Panel with Diagnostic Light	17
155-2845Tailpipe Kit	15	300-5333Remote Control Panel with Diagnostic Light	17
155-2847Elbow Adapter Kit	16	305-0979Pigtail to Set.....	10, 16
155-2850Exhaust Tube.....	16	320-157230-Amp Circuit Breaker Kits.....	10
155-2982Exhaust Elbow HDKAT, HDKBB	24	320-168320-Amp Circuit Breaker Kits.....	10
155-3194Exhaust Elbow HDCAC	24	320-1840Remote AC Box, 45A 2 pole; AG	19
155-3468CME Exhaust Kit	8	320-1948Remote AC Box, 20A & 30A; AL, AS.....	19
155-3469CME Exhaust Kit	8	320-1949Remote AC Box, 35A 2 pole; AL.....	19
155-3470CME Exhaust Kit	9	320-1950Remote AC Box, 30A 2 pole; AL.....	19
155-3499CME Exhaust Kit	9	326-5365OnaFresh GXLP	31
155-3439Exhaust Elbow.....	11	326-52784C Cleaner	31

Index of Accessories by Part Number, *cont.*

Part Number.....Item	Page	Part Number.....Item	Page		
326-3288	Onagard	31	405-6699	Mounting Kit	11
326-5342	Premium Fuel System Cleaner	31	416-0579	Battery	17
333-0593	Engine Block Heater Kit	23	416-0796	Battery	23, 25
338-2102	Pigtail to Set, HDKAG	21	416-0823	Battery	23, 25
338-2237	15 Foot Remote Harness HDKAG.....	21	420-0559	Onan Oil Filter Wrench	31
338-2238	25 Foot Remote Harness HDKAG.....	21	420-0577	Onan Oil Filter Wrench	31
338-2912	DC Remote Harness	22	539-0977	Underfloor MicroLite KV Installation Template	14, 30
338-2912-01.....	DC Remote Harness, 18 inch	22	539-1386	Compartment Mount MicroLite KV Installation Template	14, 30
338-2912-02.....	DC Remote Harness, 36 inch	22	539-1535-01.....	Underfloor MicroLite KY Installation Template	15, 30
338-2912-03.....	DC Remote Harness, 84 inch	22	539-1810-01.....	CMQD HDKAT Installation Template	30
338-2912-04.....	DC Remote Harness, 120 inch	22	539-1546-01.....	Compartment Mount MicroQuiet KY Installation Template	15, 30
338-2912-05.....	DC Remote Harness, 156 inch	22	539-1962	CMSD HDKAS/AL Installation Template.....	30
338-2914	AC Remote Harness	22	539-2056	CME Compartment Mount Installation Template ..	8, 30
338-2914-02.....	AC Remote Harness, 36 inch	22	539-2057	Underfloor HGJAE, HGJAD Installation Template	11, 30
338-2914-03.....	AC Remote Harness, 84 inch	22	539-2155	CMQD HDKBB Installation Template.....	30
338-2914-04.....	AC Remote Harness, 120 inch	22	539-3869	CMQD HDCAC/D Spec C Installation Template	30
338-2914-05.....	AC Remote Harness, 156 inch	22	539-4844	CMQD HDKCC/D Installation Template	30
338-3489-01.....	5-wire, 10 Foot Remote Harness	10, 16	541-0518	Protec Output Lead Kit	27
338-3489-02.....	5-wire, 30 Foot Remote Harness	10, 16	541-0519	Protec Output Lead Kit	27
338-3490-01.....	10 Foot Remote Harness HDKAS, AL.....	21, 26	541-0520	Protec Output Lead Kit	27
338-3490-02.....	30 Foot Remote Harness HDKAS, AL.....	21, 26	541-0530	Auxiliary Fuel Pump Kit	12, 24
338-3513	New Set to Old Panel Adapter Harness.....	18	541-0531	Remote Air Cleaner Kit HDKAT	24
338-3526	Junction Harness.....	22	541-0539	Protec Output Lead Kit	27
338-3572	Pigtail at Control Panel.....	18	541-0564	Fuel Pump Kit	22
338-3573	Pigtail at Control Panel	21, 26	541-0608-01.....	Remote Oil Filter Kit	10
338-3673	Old Set to New Panel Adpater Harness.....	18	541-0612-01.....	Below Mounted Muffler.....	8
338-4086	Harness-Valve.....	28	541-0612-02.....	Side Mounted Muffler	8
338-4087	Harness-Meter (Power)	28	541-0671	EFI Fuel System Kit	12
338-4088	Harness-Sensor (Temp).....	28	541-0673	EFI Fuel System Kit	12
338-4089	Harness-AC (Sense)	28	541-0762	Enclosure Kit (Air Discharge)	28
338-4155-01.....	10 foot long 6-wire Remote Harness	18	541-0763	Adapter Kit	28
338-4155-02.....	30 foot long 6-wire Remote Harness	18	541-0767	EFI Fuel System Kit	12
338-4156	Pigtail 6-wire	17	541-0788	EFI Fuel System Kit	12
403-2689	Mounting Kit	14	541-0789	EFI Fuel System Kit	12
403-3630	Base Adapter Kit.....	15	541-0873	Enclosure Kit (Air Discharge)	28
403-3670	Underfloor Mounting Kit	15	541-0911	Enclosure Kit (Air Discharge)	28
405-4241	Housing Kit	15, 21	541-0933	EFI Fuel System Kit	12
405-6698	CME Underfloor Mount	8			

541-1092Control Panel Single Phase.....27
541-1093Control Panel Three Phase Star27
541-1095Control Panel Three Phase Delta27
541-1153EFI Fuel Pump Kit12
542-0336Start Enable Relay Kit.....18



GeneratorJoe

4016 Quartz Drive
Santa Rosa, CA 95405
Phone: 707 539-9003
Fax: 707 539-5212
Email: sales@generatorjoe.NET
Web www.generatorjoe.NET



GeneratorJoe

4016 Quartz Drive
Santa Rosa, CA 95405
Phone: 707 539-9003
Fax: 707 539-5212
Email: sales@generatorjoe.NET
Web www.generatorjoe.NET

Onan[®]

