

Integrated
Tranquell™ HE & ME
Transient Voltage
Surge Suppressors

For ZTG & ZTS Series
Automatic Transfer Switches



ZTS Series Switch with integral-mounted TVSS

Introduction

Transient voltage surge suppressors (TVSS) have become a standard component in today's data centers, office buildings and manufacturing facilities because they improve equipment uptime and reduce expensive facility equipment repairs. GE TVSS have always been regarded as best in class. These important components are now available factory-mounted inside GE Zenith Automatic Transfer Switches (ATS) for optimal facility equipment protection.

Expensive, business-critical equipment is at risk from both high magnitude lightning and utility switching surges and lower magnitude surges caused by such inductive loads as HVAC, motors, fluorescent light banks and even laser copiers. For this reason, IEEE guidelines specifically recommend that a TVSS be installed at service entrance locations and in all downstream distribution components that supply sensitive loads – such as Automatic Transfer Switches (ATS).

Integral TVSS are factory wired to the load-side of the ATS to minimize lead lengths and provide the highest possible surge protection for the connected critical loads. The integral mounting conserves wall space and reduces installation costs.

GE's full range of Tranquell™ HE (high exposure) and ME (medium exposure) TVSS products are available integrally-mounted in GE Zenith ZTG and ZTS Series ATS products. All are factory tested, and guaranteed to provide the highest level of surge protection for your critical loads.

Features and Benefits

- > Available for NEMA 1 and NEMA 3R enclosed ZTG & ZTS Series Automatic Transfer Switches
- > Meets and/or exceeds the requirements of UL 1449, cUL, NEMA LS-1, and NEC Article 285
- > UL Tested to 200,000 Amperes Symmetrical Withstand for HE and 65,000 Amperes for ME
- > Tranquell™ HE device, for ATS over 65kAIC rating, is capable of surviving a minimum of 20,000 Category C3 Impulses (10kA, 20kV) per mode
- > Tranquell™ ME device, for ATS at or below 65kAIC rating, is capable of surviving a minimum of 5,000 Category C3 Impulses (10kA, 20kV) per mode
- > Both HE and ME are capable of surviving a minimum of 5,000 Longwave 10x1000µs Impulses per mode
- > Patented thermal fuse technology in combination with surge rated fuses
- > Standard Form C dry contacts for alarm monitoring, optional door-mounted status LED
- > Green status indicating lights, red service light
- > Optional surge counter
- > Optional UL 1283 noise filter
- > Factory wired, no field connections (except remote alarm contacts)



GeneratorJoe

4016 Quartz Drive
Santa Rosa, CA 95405
Phone: 707 539-9003
Fax: 707 539-5212
Email: sales@generatorjoe.NET
Web www.generatorjoe.NET

Technical Specifications

Operating Frequency 50/60 Hz

Connection #10 Conductors, Parallel Connected (40-600 Amp ATS)
#6 Conductors, Parallel Connected (800-4000 Amp ATS)

Operating Temperature -4°F to 104°F (-20°C to 40°C)

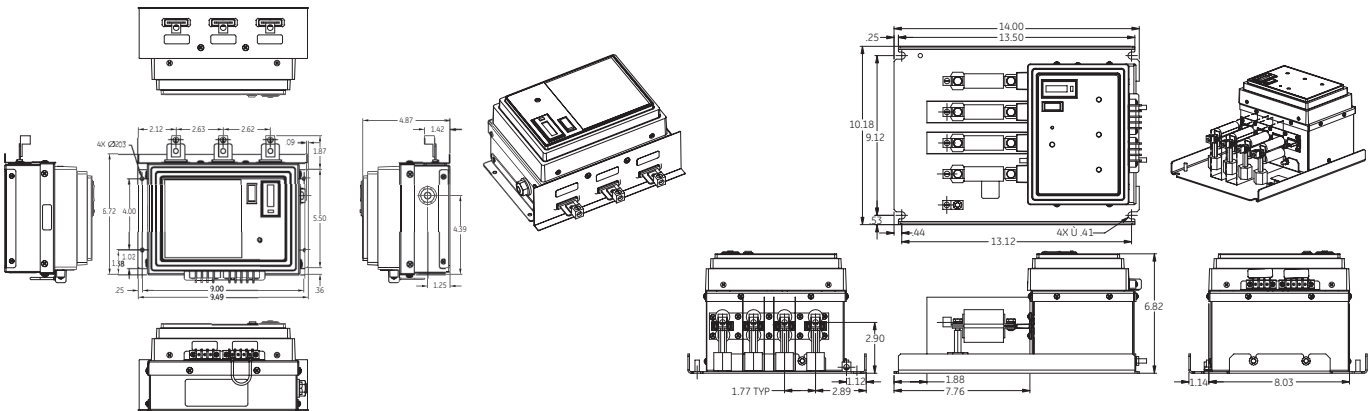
Operating Humidity 0% to 95% Non-Condensing

Weight ME: 19 lbs. (8.6 kg)
HE: 22 lbs. (10.0 kg)

Option #

TVI	HE	Nominal Voltage (Volts RMS)	Configuration	Suppressed Voltage Rating UL 1449 2nd Edition L-N / L-G / N-G	MCOV% Max. Continuous Operating Voltage	Alarm Option	Enclosure Option
	Select "HE" for ZTG 1000-3000 Amp ZTS 1000-4000 Amp	120S 120/240	1 Phase, 3 Wire + Ground	500 / 500 / 400	125%	X None (standard)	XX None (standard)
		120V 120V/208	3 Phase, 4 Wire + Ground	500 / 500 / 400	125%		
		240D 240 Delta	3 Phase, 3 Wire + Ground	- / 700 / -	115%		
	Select "ME" for ZTG 40-800 Amp ZTS 40-800 Amp	240H 120/240 Delta HL	3 Phase, 4 Wire + Ground	500/700 / 500 / 400/700	115%	A Dry Contact Output & Door-Mounted Status LED	S1 Select "S1" for ZTG(S) 40-200A (Requires Special 36" x 24" x 14" Enclosure) S2 Select "S2" for ZTG 225A (Requires Special 46" x 24" x 14" Enclosure)
		240Y 240Y/415	3 Phase, 4 Wire + Ground	800 / 800 / 1500	130%		
		277Y 277Y/480	3 Phase, 4 Wire + Ground	800 / 800 / 1500	115%		
		220Y 220Y/380	3 Phase, 4 Wire + Ground	800 / 800 / 1500	145%		
		480D 480 Delta	3 Phase, 3 Wire + Ground	- / 1500 / -	170%		
		347Y 347Y/600	3 Phase, 4 Wire + Ground	1200 / 1200 / 1800	115%		
		600D 600 Delta	3 Phase, 3 Wire + Ground	- / 1500 / -	170%		

065	65kA per Mode (ME)	NC Standard ME - No options HE - Standard Surge Counter And Noise Filter
080	80kA per Mode (ME)	
100	100kA per Mode (ME HE)	
150	150kA per Mode (HE)	
200	200kA per Mode (HE)	
300	300kA per Mode (HE)	
NF	Optional Counter, No Noise Filter (ME only)	WC Optional Surge Counter And Noise Filter (ME only)
WC	Optional Surge Counter And Noise Filter (ME only)	



"ME" Model TVSS

"HE" Model TVSS



GeneratorJoe

4016 Quartz Drive
Santa Rosa, CA 95405
Phone: 707 539-9003
Fax: 707 539-5212
Email: sales@generatorjoe.NET
Web www.generatorjoe.NET