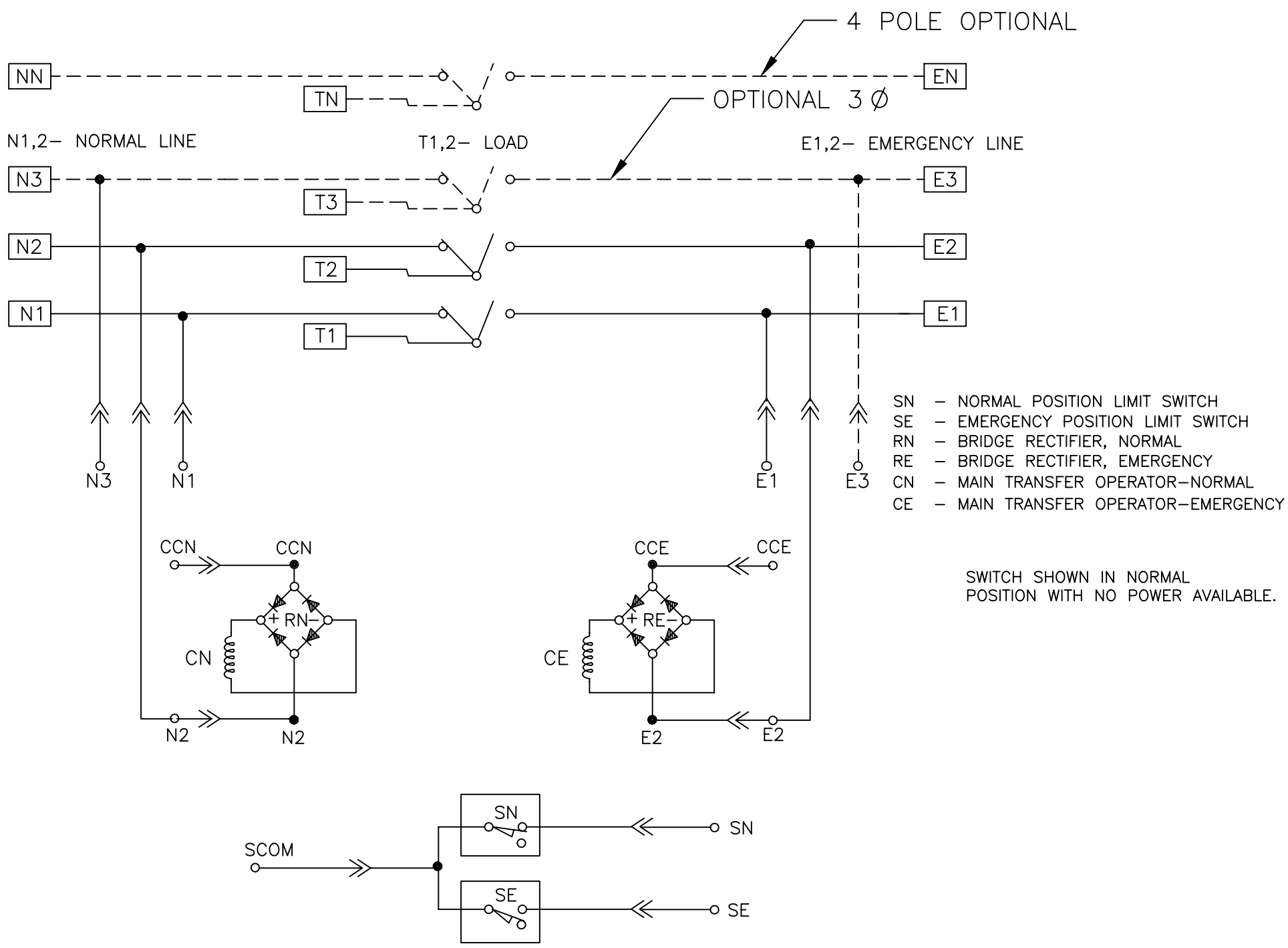
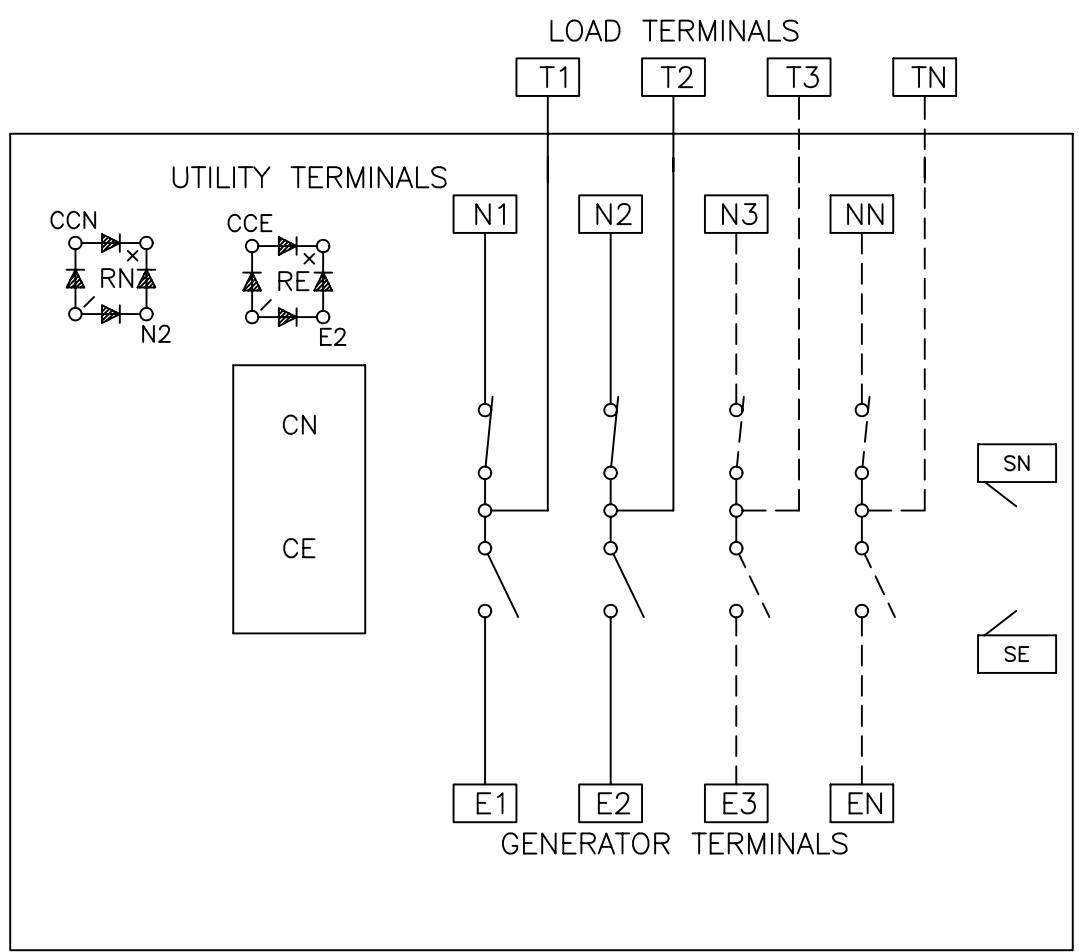


REVISIONS			
REV.	DESCRIPTION	DATE	APPROVED
F	S-8327-1	12/20/05	GG VZ

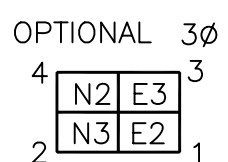
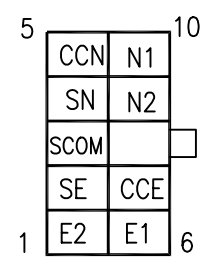
POWER CIRCUIT SCHEMATIC



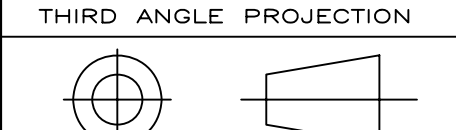
POWER PANEL LAYOUT



INTERCONNECT PLUGS



GE PROPRIETARY AND CONFIDENTIAL INFORMATION
 This document is the property of General Electric ("GE") and contains proprietary information of GE. This document is loaned on the express condition that neither it nor the information contained therein shall be disclosed to others without the express written consent of GE Industrial Systems, and that the information shall be used by the recipient only as approved expressly by GE Industrial Systems. This document shall be returned to GE upon its request. This document may be subject to certain restrictions under U.S. export controls laws and regulations.



FOR ADDITIONAL INFO REFER TO	SIGNATURES	DATE
APPLIED PRACTICES	MODEL DF	10/31/01
UNLESS OTHERWISE SPECIFIED DIMENSIONS ARE IN INCHES	DETAIL	
TOLERANCES ON:	CHECKED	
2 PL. DECIMALS ± .020	ENGRG EK	
3 PL. DECIMALS ± .005	MFG	
ANGLES ± 1'	QUALITY	
FRACTIONS ± 1/64	ISSUED	
FINISH ✓	DRAWING FILE: 62a-5100-f-1	
	MODEL / ASSEMBLY FILE: ZTX MX 50/60, F14-GEN 2 400AMP	
AutoCad Generated	# CTQs	CRITICAL TO QUALITY

GE Zenith Controls

TITLE: POWER CIRCUIT SCHEMATIC
 ZTX MX 50/60, F14-GEN 2 400AMP

FIRST MADE FOR: SIZE B CAGE CODE DWG NO 62A-5100

SCALE: N/A SHEET 1 OF 1