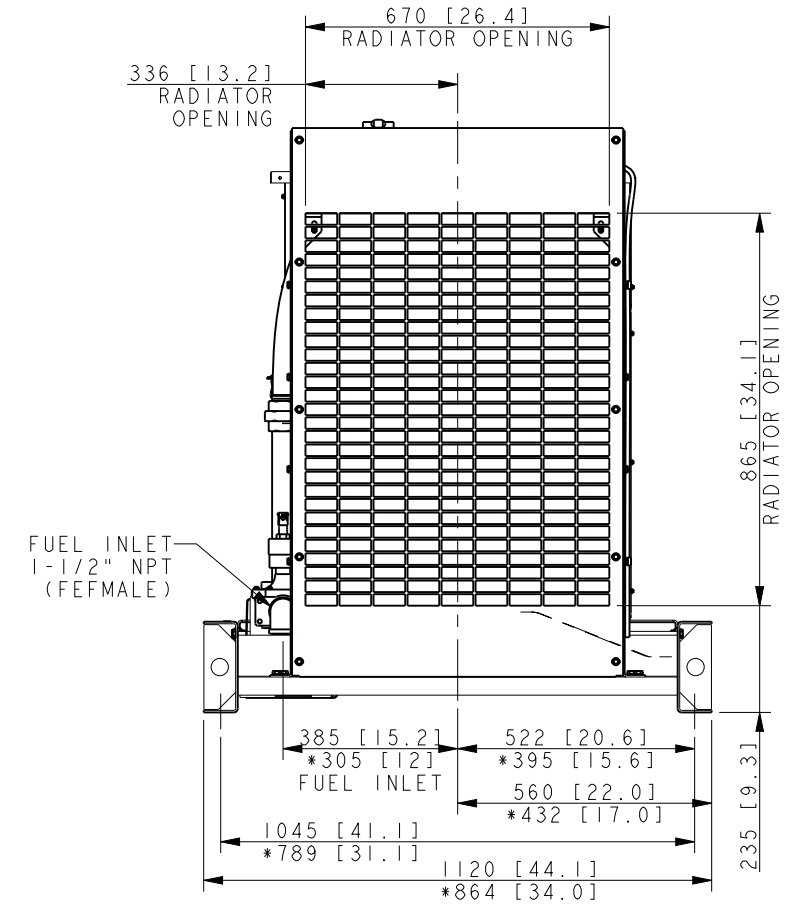
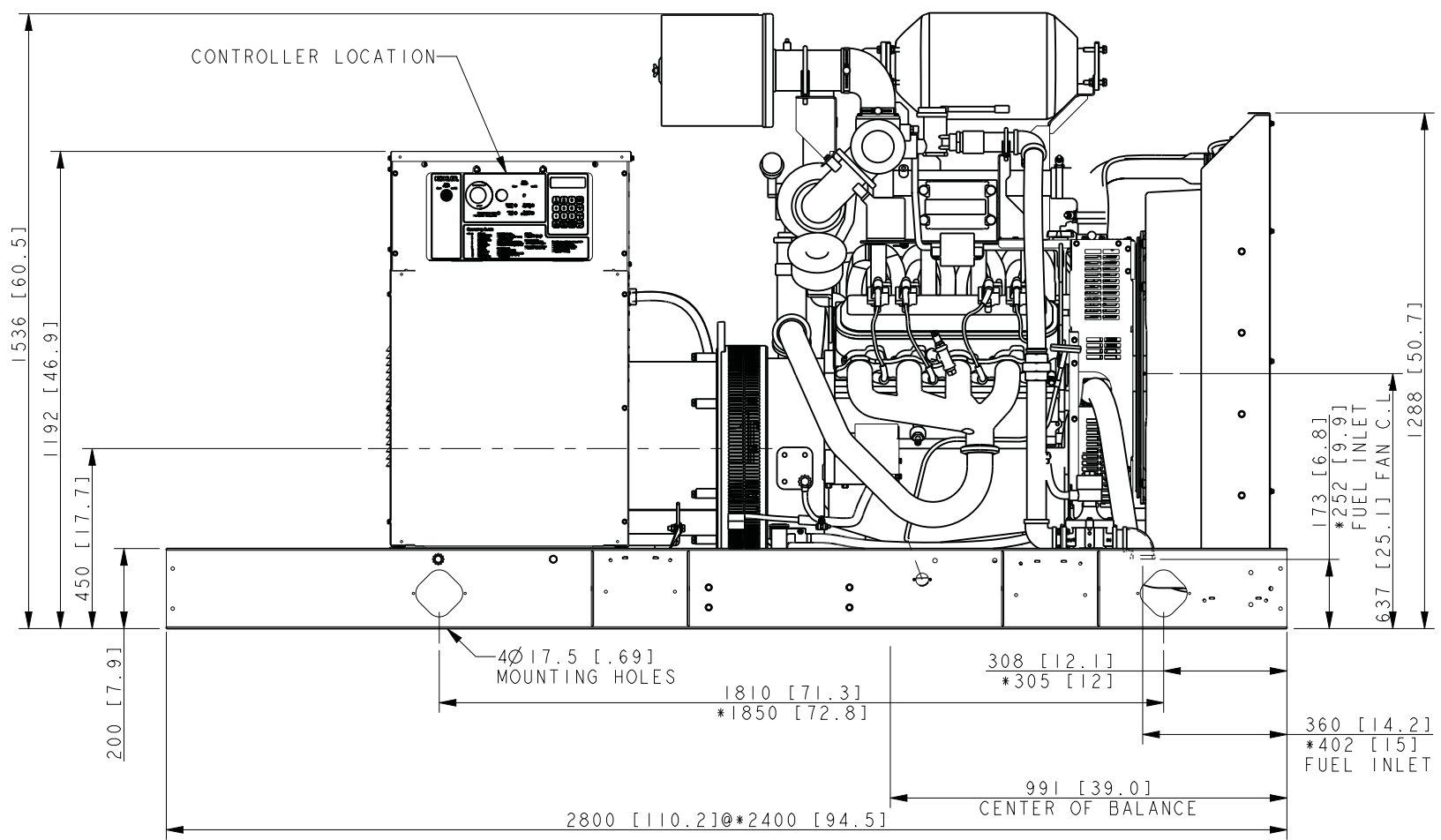


| MODEL | ALTERNATOR  | WEIGHT (WET) |      |
|-------|-------------|--------------|------|
|       |             | KG           | LBS  |
| 125   | 4R12X       | 1329         | 2930 |
| 125   | 4R13X/4T13X | 1365         | 3009 |



\* - DENOTES 34" SKID WIDTH  
 DIMENSIONS IN [ ] ARE ENGLISH STANDARD EQUIVALENTS

EPA ENGINE SHOWN

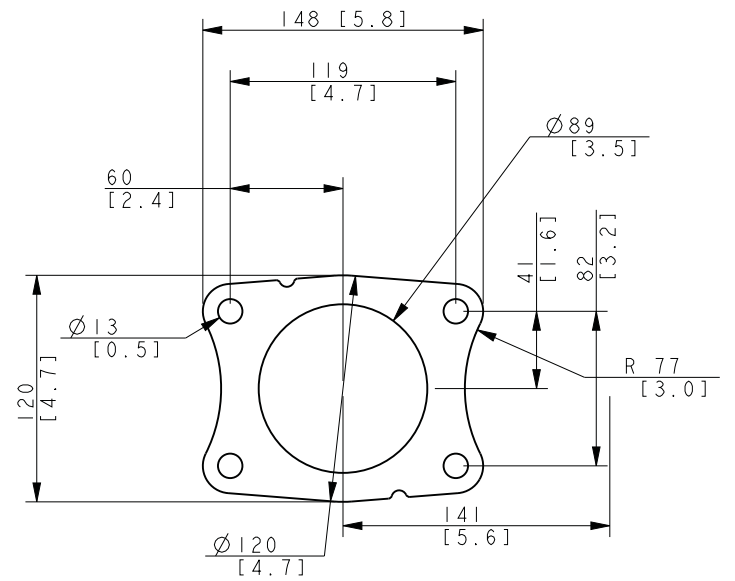
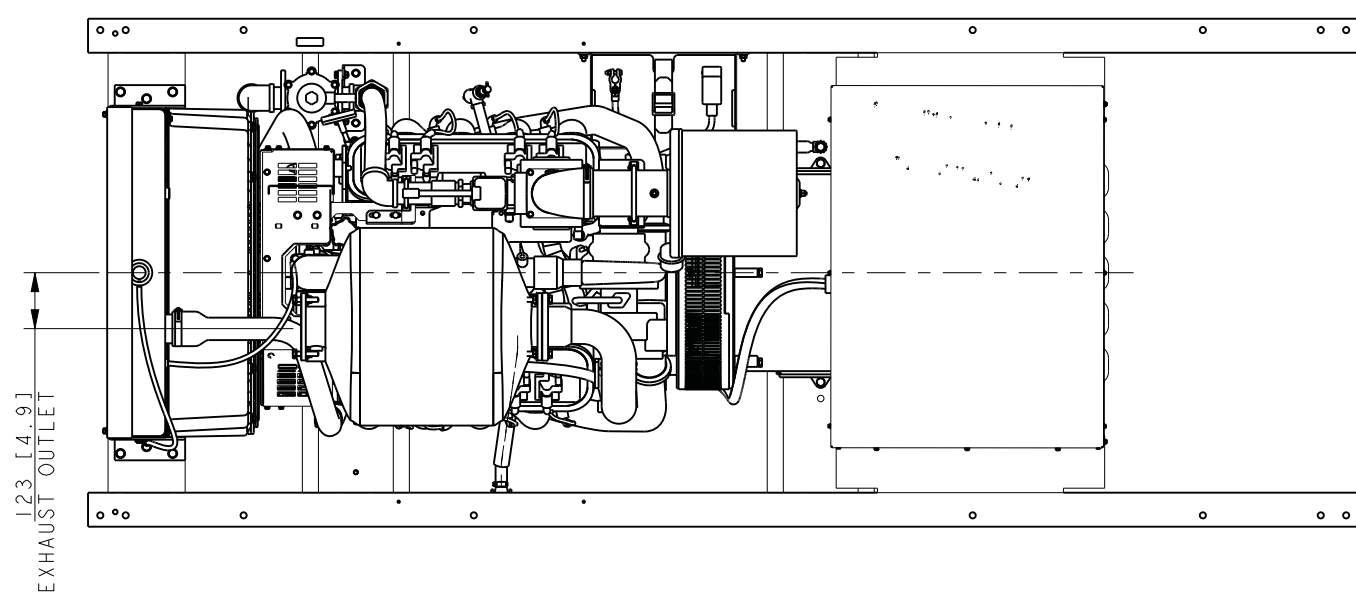
125 MODEL, 4R12X/4R13X/4T13X RECONNECTABLE, IMPROVED MOTOR STARTING (IMS) RECONNECTABLE & 600V ALTERNATORS 8.8 LITER GM

| REV | DATE    | ON COMPOSITE DWGS. SEE PART NO. FOR REVISION LEVEL    | BY  | UNLESS OTHERWISE SPECIFIED - DIMENSIONS ARE IN MILLIMETERS                                   |
|-----|---------|---|-----|--|
| -   | 5-10-11 | NEW DRAWING [92053]                                   | KRH | 1) DIMENSIONS ARE IN MILLIMETERS<br>2) TOLERANCES ARE:<br>X.XX ±<br>X.X ±<br>X ±<br>ANGLES ± |
| A   | 6-3-13  | (B-4) "NON-EPA" & "1273 [50.1] EPA" REMOVED [CT49456] | SVP | THIRD ANGLE PROJECTION   |
|     |         |   |     | APPROVALS DATE   |
|     |         |   |     | DRAWN KRH 5-10-11  |
|     |         |   |     | CHECKED KRH 5-10-11  |
|     |         |   |     | APPROVED JAL 5-10-11   |

**KOHLER CO. METRIC PRO-E**  
 POWER SYSTEMS, KOHLER, WI 53044 U.S.A.  
 THIS DRAWING IN DESIGN AND DETAIL IS KOHLER CO. PROPERTY AND MUST NOT BE USED EXCEPT IN CONNECTION WITH KOHLER CO. WORK. ALL RIGHTS OF DESIGN OR INVENTION ARE RESERVED.

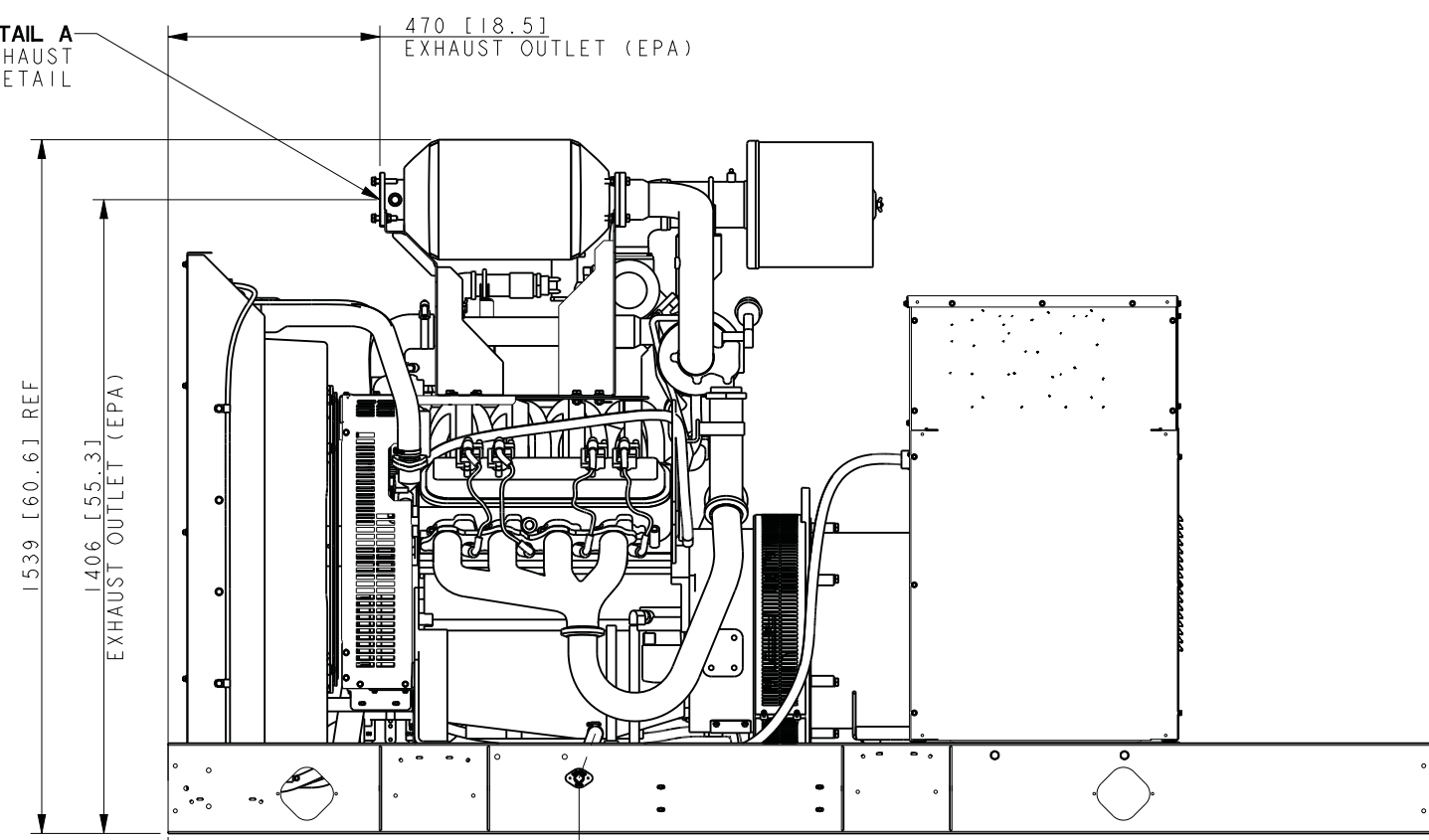
TITLE  
**DIMENSION PRINT 125 GM 8.8L**

SCALE 0.12 CAD NO. SHEET 1 of 2  
 DWG NO. **ADV-8204** D



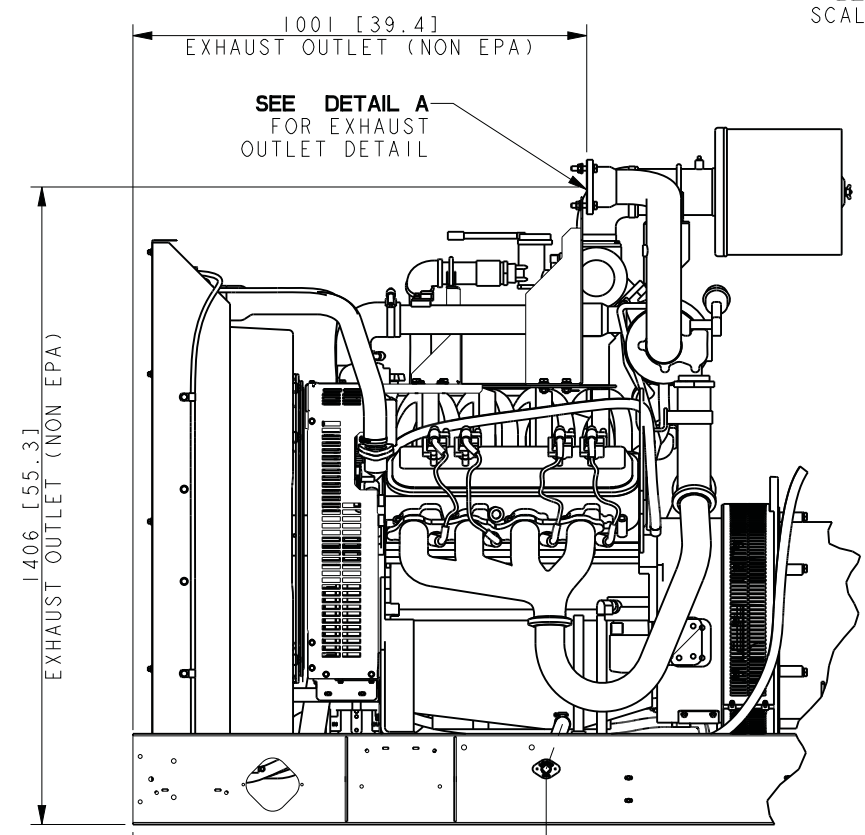
EXHAUST OUTLET  
DETAIL A  
SCALE 0.50

SEE DETAIL A  
FOR EXHAUST  
OUTLET DETAIL



EPA ENGINE

SEE DETAIL A  
FOR EXHAUST  
OUTLET DETAIL



NON EPA ENGINE

DIMENSIONS IN [ ] ARE  
ENGLISH STANDARD EQUIVALENTS

125 MODEL, 4R12X/4R13X/4T13X  
RECONNECTABLE,  
IMPROVED MOTOR STARTING (IMS) RECONNECTABLE  
& 600V ALTERNATORS  
8.8 LITER GM

|     |         |  |     |  |   |
|-----|---------|--|-----|--|---|
| REV | DATE    | ON COMPOSITE DWGS. SEE PART NO. FOR REVISION LEVEL | BY  | UNLESS OTHERWISE SPECIFIED -<br>1) DIMENSIONS ARE IN MILLIMETERS<br>2) TOLERANCES ARE: | <b>KOHLER CO.</b> METRIC PRO-E<br>POWER SYSTEMS, KOHLER, WI 53044 U.S.A.<br>THIS DRAWING IN DESIGN AND DETAIL IS KOHLER CO.<br>PROPERTY AND MUST NOT BE USED EXCEPT IN<br>CONNECTION WITH KOHLER CO. WORK. ALL RIGHTS OF<br>DESIGN OR INVENTION ARE RESERVED. |
| -   | 8-29-11 | NEW DRAWING [92053]                                | KRH | X.XX ±   |   |
| A   | 6-3-13  | NON EPA VIEW ADDED. [CT49456]                      | SVP | X.X ±  | SURFACE FINISH<br>MAX.  |
|     |         |  |     | ANGLES ±   |   |
|     |         |  |     |  | THIRD ANGLE PROJECTION  |
|     |         |  |     |  | APPROVALS   |
|     |         |  |     |  | DATE  |
|     |         |  |     |  | DRAWN KRH 8-29-11   |
|     |         |  |     |  | CHECKED KRH 8-29-11   |
|     |         |  |     |  | APPROVED JAL 8-29-11  |
|     |         |  |     | SCALE 0.12   | CAD NO.   |
|     |         |  |     | SHEET 2 of 2   |   |
|     |         |  |     | DWG NO. ADV-8204   |   |