

**NOTE:** DIMENSIONS IN [ ] ARE ENGLISH STANDARD EQUIVALENTS.

**GENSET WEIGHT**  
(LESS ACCESSORIES)  
MAX WEIGHT (WET) 2379 KG [5245 LB]

180 MODEL, 4S12X/4S13X/4UA10/4M6226  
200 MODEL, 4UA10/4UA13  
RECONNECTABLE,  
IMPROVED MOTOR STARTING (IMS) RECONNECTABLE,  
600 VOLT & 1 PH ALTERNATORS  
11.1 LITER DOOSAN, EPA/NON-EPA

REV	DATE	ON COMPOSITE DWGS. SEE PART NO. FOR REVISION LEVEL	BY
-	1-17-11	NEW DRAWING [90373-3]	AWK

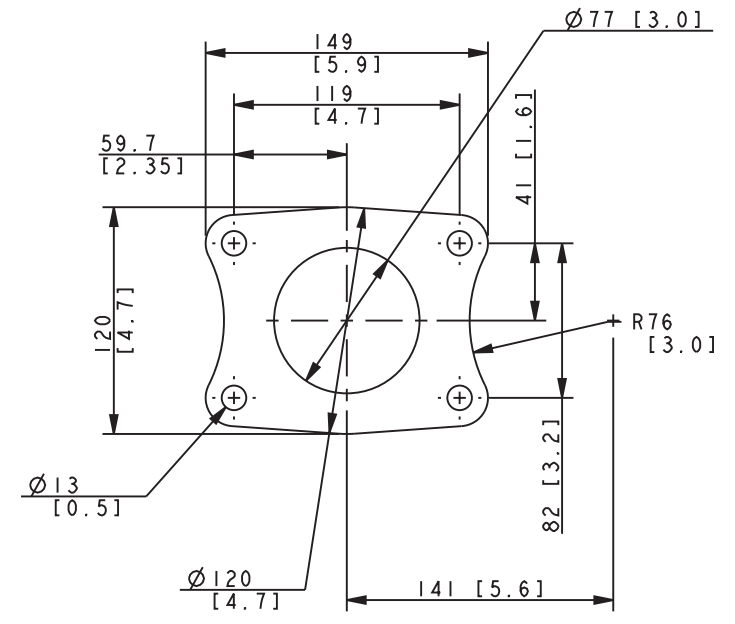
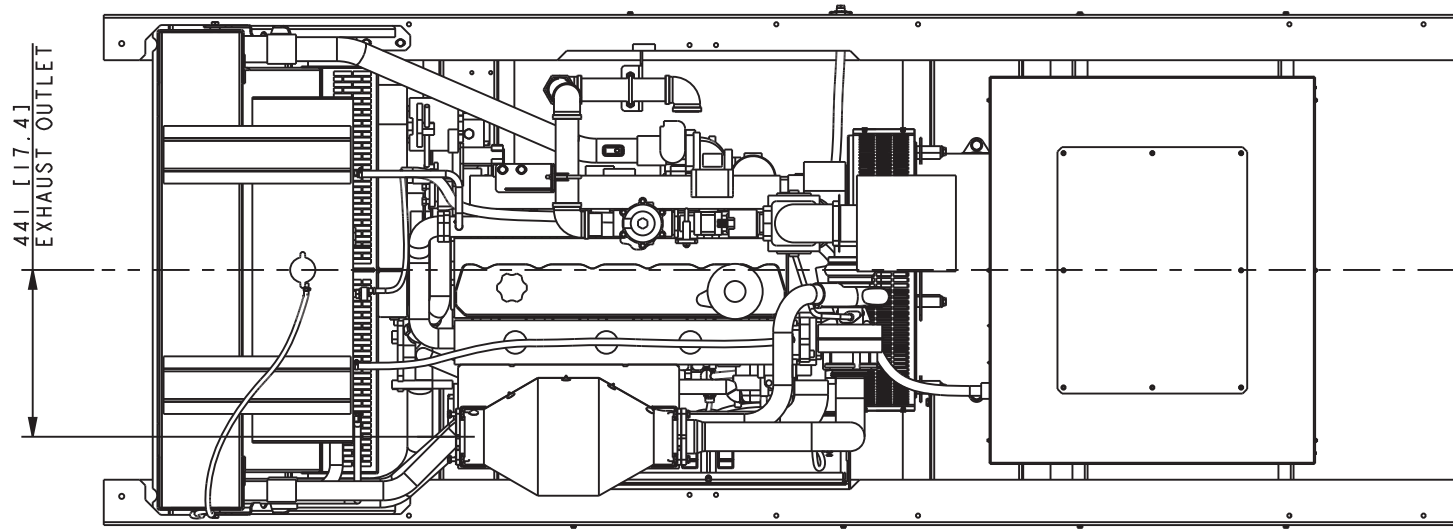
UNLESS OTHERWISE SPECIFIED -  
1) DIMENSIONS ARE IN MILLIMETERS  
2) TOLERANCES ARE:  
SURFACE FINISH  
THIRD ANGLE PROJECTION

APPROVALS	DATE
DRAWN AWK	1-17-11
CHECKED CWF	1-17-11
APPROVED WRD	1-17-11

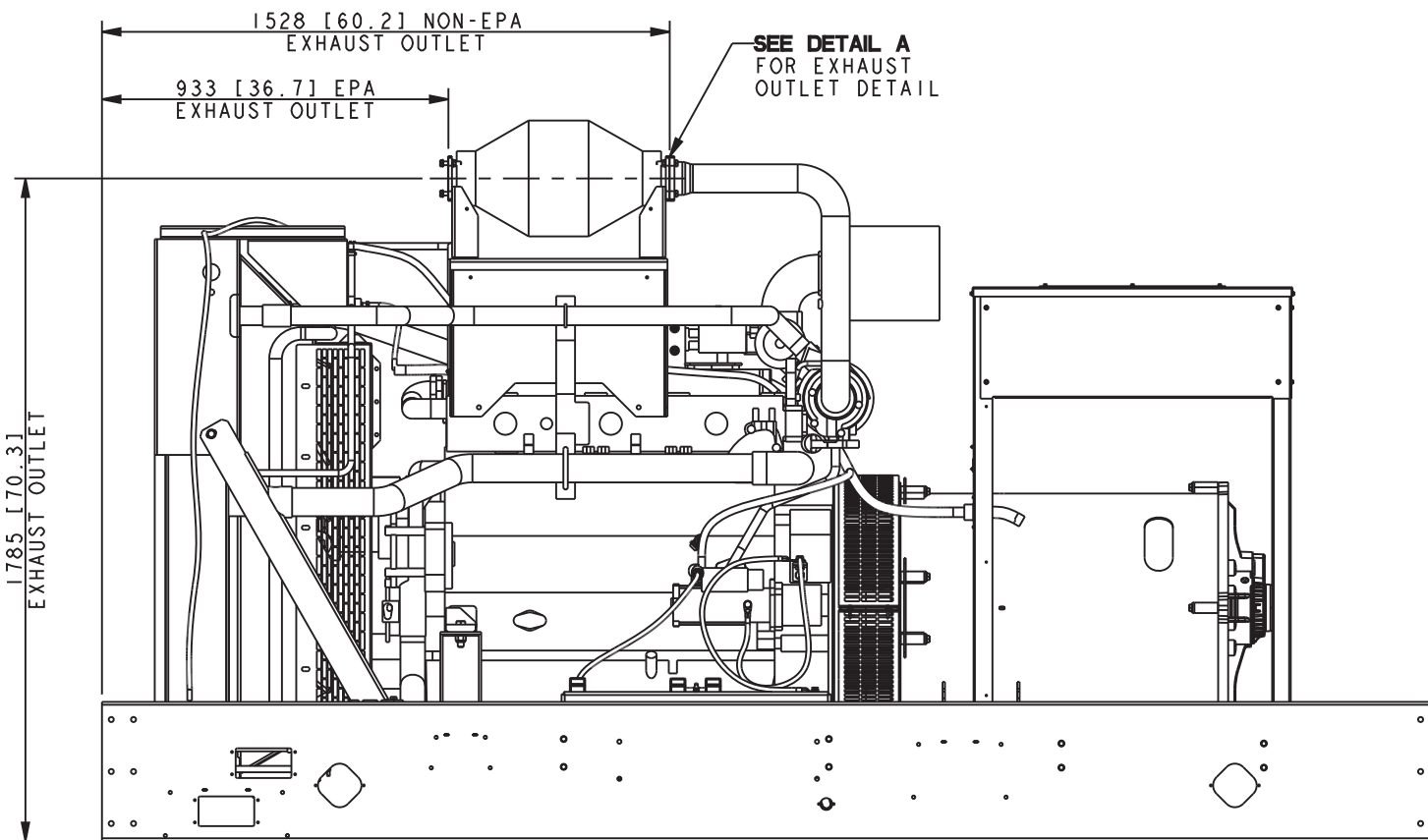
**KOHLER CO. METRIC PRO-E**  
POWER SYSTEMS, KOHLER, WI 53044 U.S.A.  
THIS DRAWING IN DESIGN AND DETAIL IS KOHLER CO. PROPERTY AND MUST NOT BE USED EXCEPT IN CONNECTION WITH KOHLER CO. WORK. ALL RIGHTS OF DESIGN OR INVENTION ARE RESERVED.

TITLE  
**DIMENSION PRINT, 180/200 DOOSAN**

SCALE 0.10 CAD NO. SHEET 1 of 3  
DWG NO. **ADV-7986**



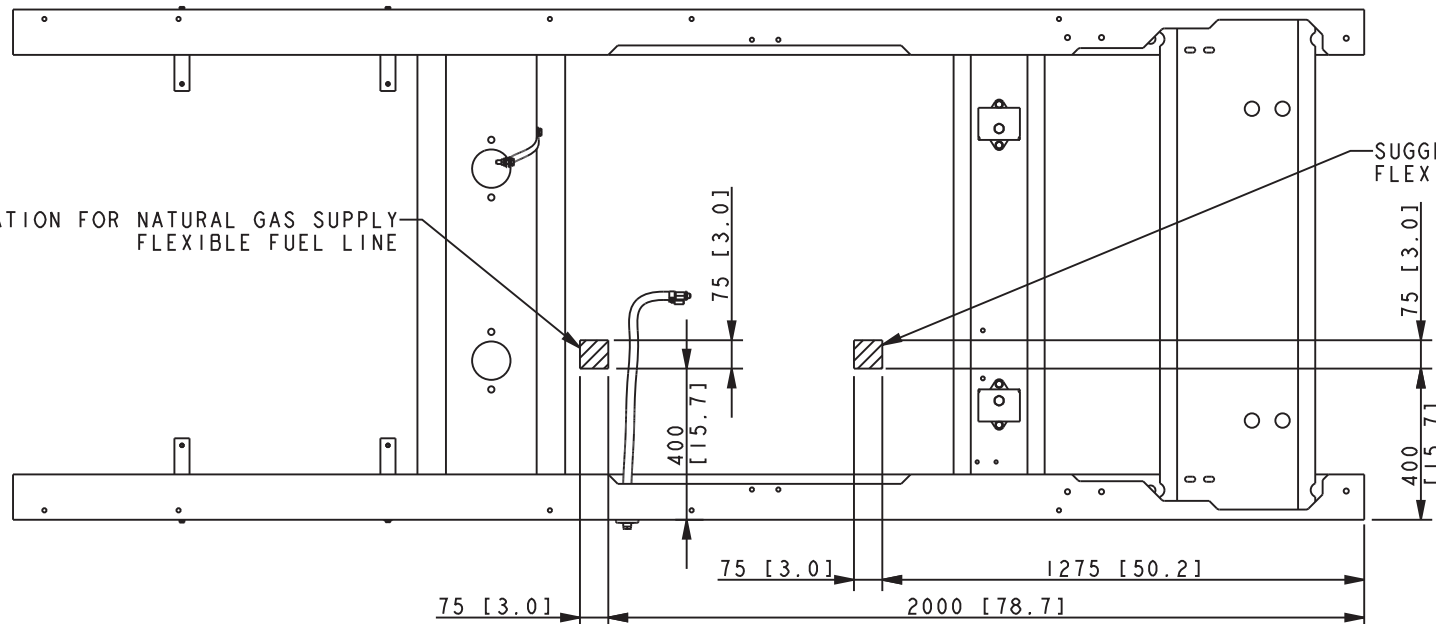
**DETAIL A**  
EXHAUST OUTLET  
SCALE 0.50



180 MODEL, 4S12X/4S13X/4UA10/4M6226  
200 MODEL, 4UA10/4UA13  
RECONNECTABLE,  
IMPROVED MOTOR STARTING (IMS) RECONNECTABLE,  
600 VOLT & 1 PH ALTERNATORS  
11.1 LITER DOOSAN, EPA/NON-EPA

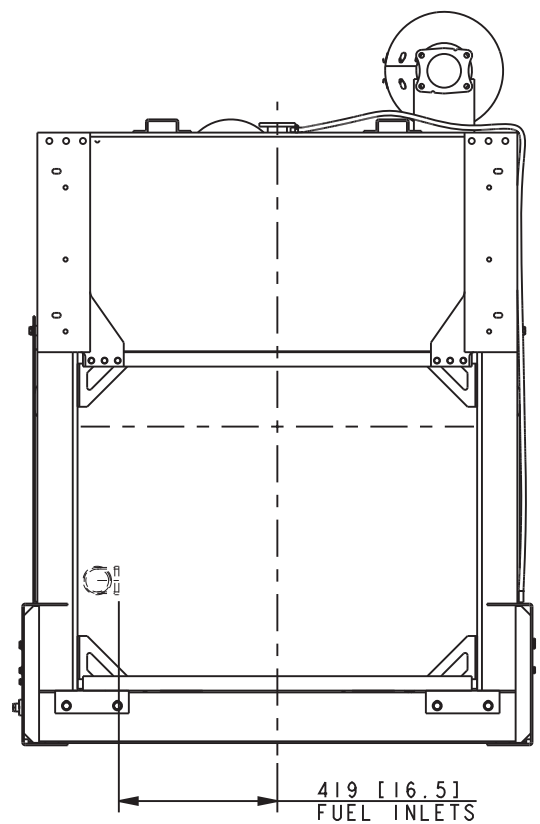
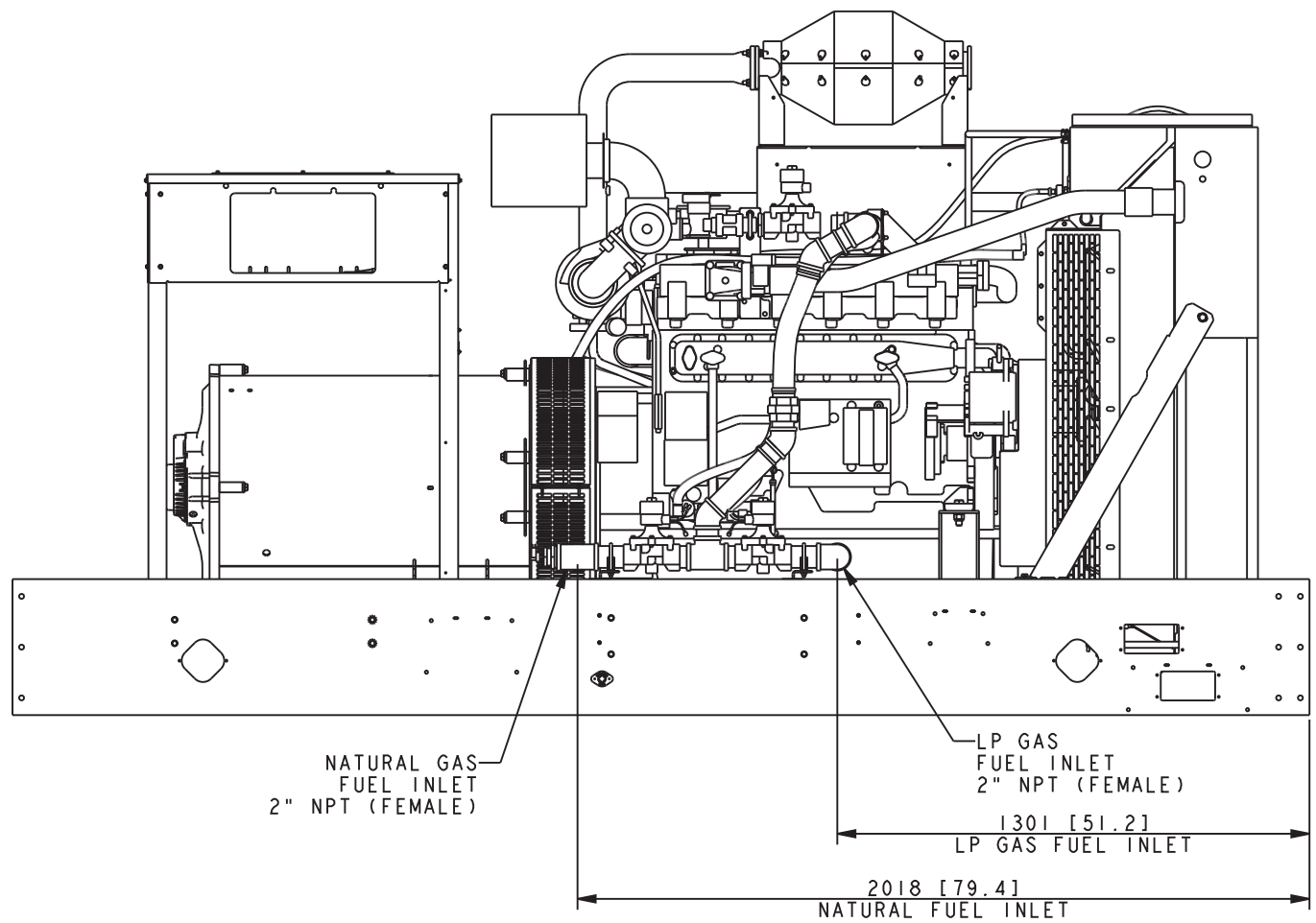
DIMENSIONS IN [ ] ARE ENGLISH  
STANDARD EQUIVALENTS

REV	DATE	ON COMPOSITE DWGS. SEE PART NO. FOR REVISION LEVEL	BY	UNLESS OTHERWISE SPECIFIED - 1) DIMENSIONS ARE IN MILLIMETERS 2) TOLERANCES ARE:	<b>KOHLER CO. METRIC PRO-E</b> POWER SYSTEMS, KOHLER, WI 53044 U.S.A. THIS DRAWING IN DESIGN AND DETAIL IS KOHLER CO. PROPERTY AND MUST NOT BE USED EXCEPT IN CONNECTION WITH KOHLER CO. WORK. ALL RIGHTS OF DESIGN OR INVENTION ARE RESERVED.
-	1-17-11	NEW DRAWING [90373-3]	AWK		
					SURFACE FINISH MAX.
					THIRD ANGLE PROJECTION
					APPROVALS      DATE DRAWN      AWK      1-17-11 CHECKED      CWF      1-17-11 APPROVED      WRD      1-17-11
					TITLE <b>DIMENSION PRINT, 180/200 DOOSAN</b>
					SCALE 0.10 CAD NO. SHEET 2 of 3 DWG NO. <b>ADV-7986</b>



SUGGESTED LOCATION FOR LP GAS SUPPLY FLEXIBLE FUEL LINE

SUGGESTED LOCATION FOR NATURAL GAS SUPPLY FLEXIBLE FUEL LINE



**DUAL FUEL NATURAL GAS & LP GAS**

180 MODEL, 4S12X/4S13X/4UA10/4M6226  
 200 MODEL, 4UA10/4UA13  
 RECONNECTABLE,  
 IMPROVED MOTOR STARTING (IMS) RECONNECTABLE,  
 600 VOLT & 1 PH ALTERNATORS  
 11.1 LITER DOOSAN, EPA/NON-EPA

REV	DATE	ON COMPOSITE DWGS. SEE PART NO. FOR REVISION LEVEL	BY	UNLESS OTHERWISE SPECIFIED - 1) DIMENSIONS ARE IN MILLIMETERS 2) TOLERANCES ARE:
-	1-17-11	NEW DRAWING [90373-3]	AWK	

**KOHLER CO. METRIC PRO-E**  
 POWER SYSTEMS, KOHLER, WI 53044 U.S.A.  
 THIS DRAWING IN DESIGN AND DETAIL IS KOHLER CO. PROPERTY AND MUST NOT BE USED EXCEPT IN CONNECTION WITH KOHLER CO. WORK. ALL RIGHTS OF DESIGN OR INVENTION ARE RESERVED.

TITLE: **DIMENSION PRINT, 180/200 DOOSAN**

SCALE: 0.10 CAD NO. SHEET 3 of 3  
 DWG NO. **ADV-7986** D

THIRD ANGLE PROJECTION

APPROVALS DATE

DRAWN AWK 1-17-11

CHECKED CWF 1-17-11

APPROVED WRD 1-17-11

SURFACE FINISH MAX.