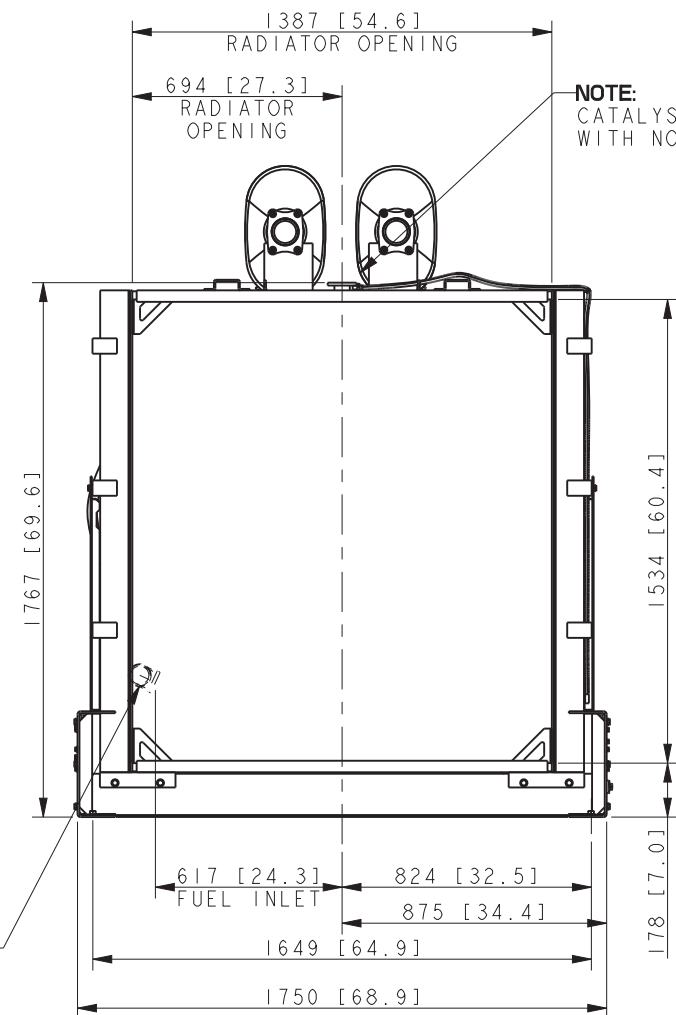
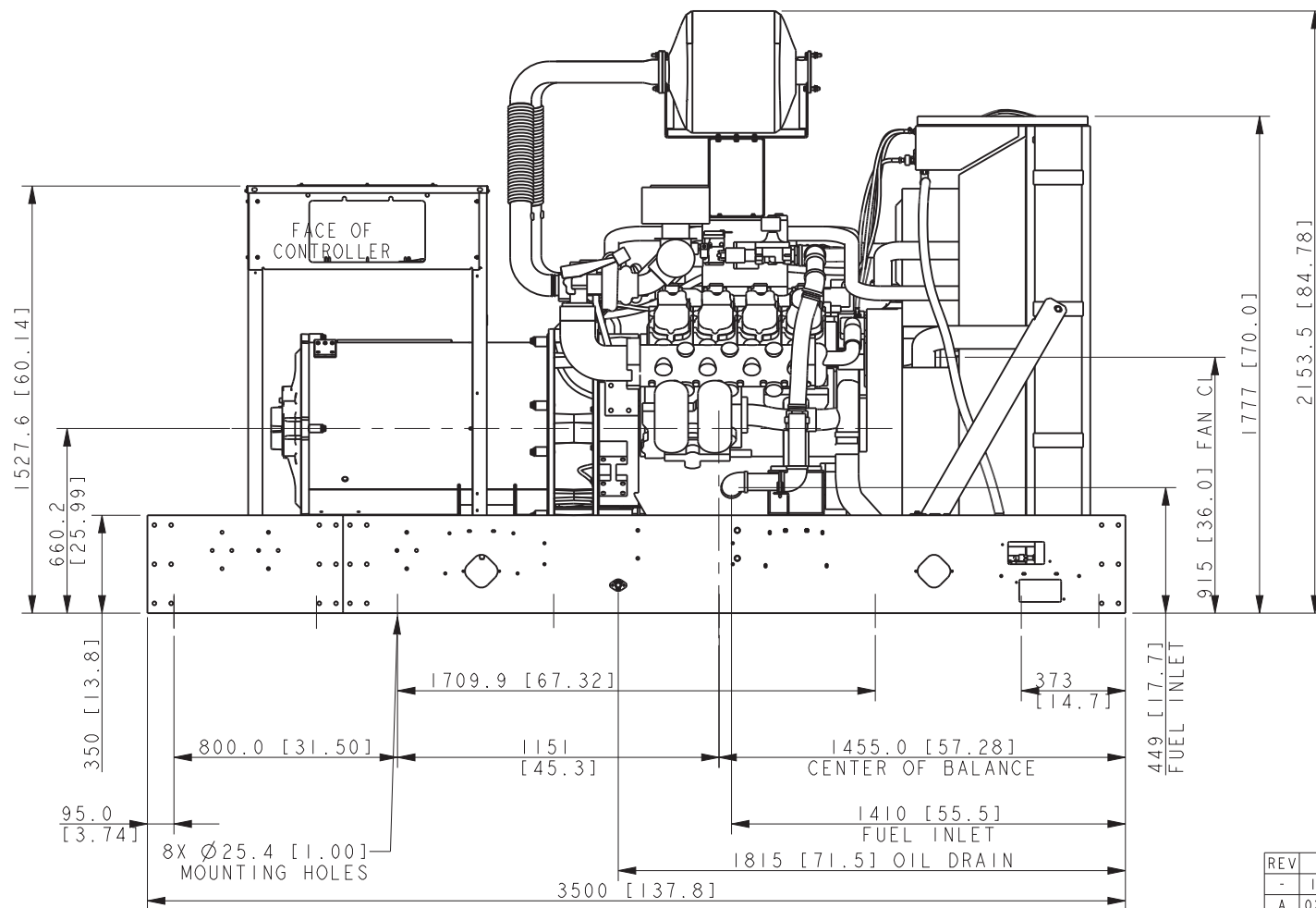
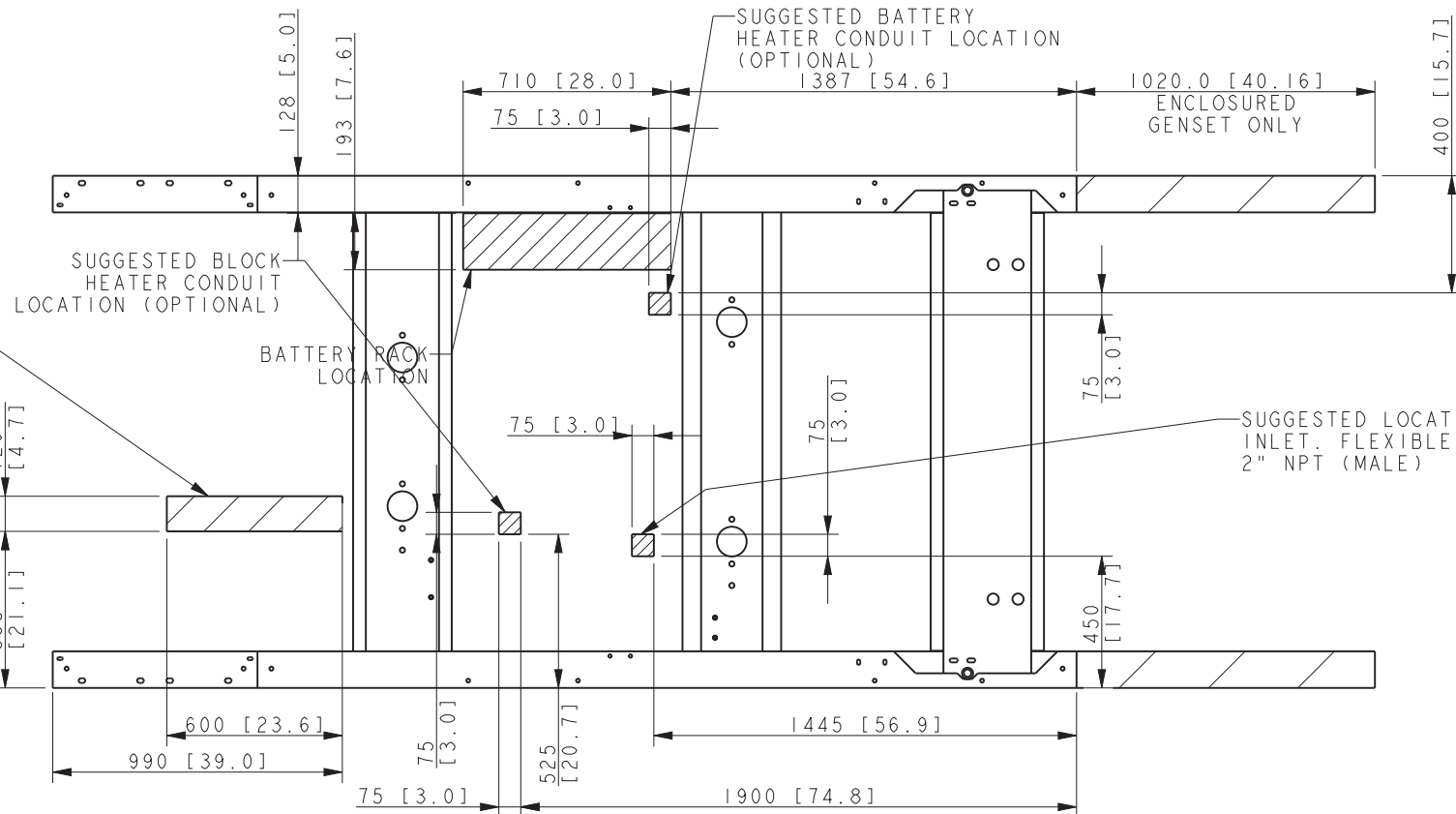


CONDUIT ENTRY AREA FOR GENERATOR LOAD LEADS (BOTTOM ENTRY) CIRCUIT BREAKER OPTION, REMOTE CONNECTION TO TRANSFER SWITCH AND REMOTE ANNUNCIATOR



NOTE: DIMENSIONS IN [] ARE ENGLISH STANDARD EQUIVALENTS

GENSET WEIGHT:
MAX WEIGHT (WET): 3200 KG [7040 LBS]
(LESS ACCESSORIES)

250 MODEL, 4UA10/4UA13 RECONNECTABLE, IMPROVED MOTOR STARTING (IMS) RECONNECTABLE & 600 VOLT ALTERNATORS 14.6 LITER DOOSAN, EPA/NON-EPA

REV	DATE	ON COMPOSITE DWGS. SEE PART NO. FOR REVISION LEVEL	BY	UNLESS OTHERWISE SPECIFIED - 1) DIMENSIONS ARE IN MILLIMETERS 2) TOLERANCES ARE:
-	1-14-11	NEW DRAWING [90373-3]	AWK	
A	02-19-14	(C-4) 1445 WAS 1575; (A-4) 1410 WAS 1540 [CT72118]	SSH	
B	8-18-14	(A-5) DIM 1151 ADDED & DIM 522.5 REMOVED; (A-7) DIM 95.0 ADDED [CT89357]	SAK	

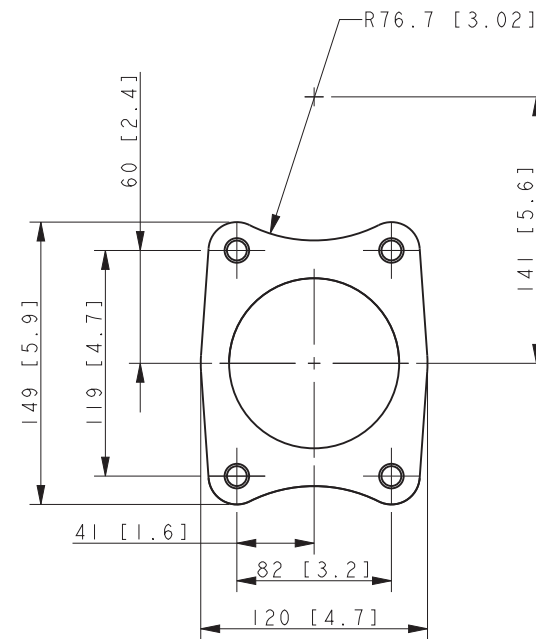
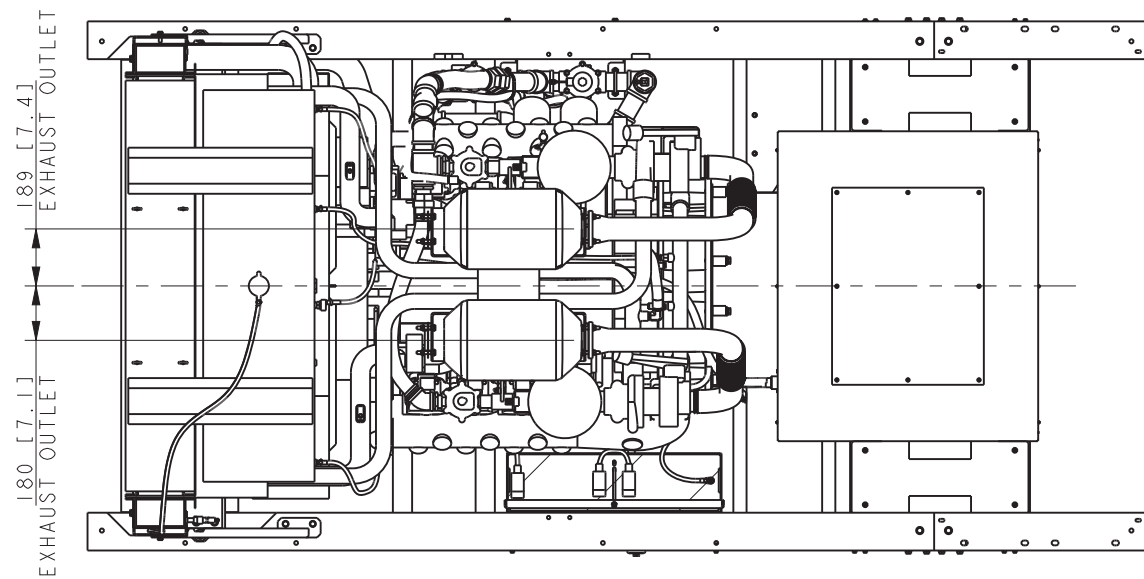
KOHLER CO. METRIC PRO-E
POWER SYSTEMS, KOHLER, WI 53044 U.S.A.
THIS DRAWING IN DESIGN AND DETAIL IS KOHLER CO. PROPERTY AND MUST NOT BE USED EXCEPT IN CONNECTION WITH KOHLER CO. WORK. ALL RIGHTS OF DESIGN OR INVENTION ARE RESERVED.

TITLE: **DIMENSION PRINT, 250 REZX**

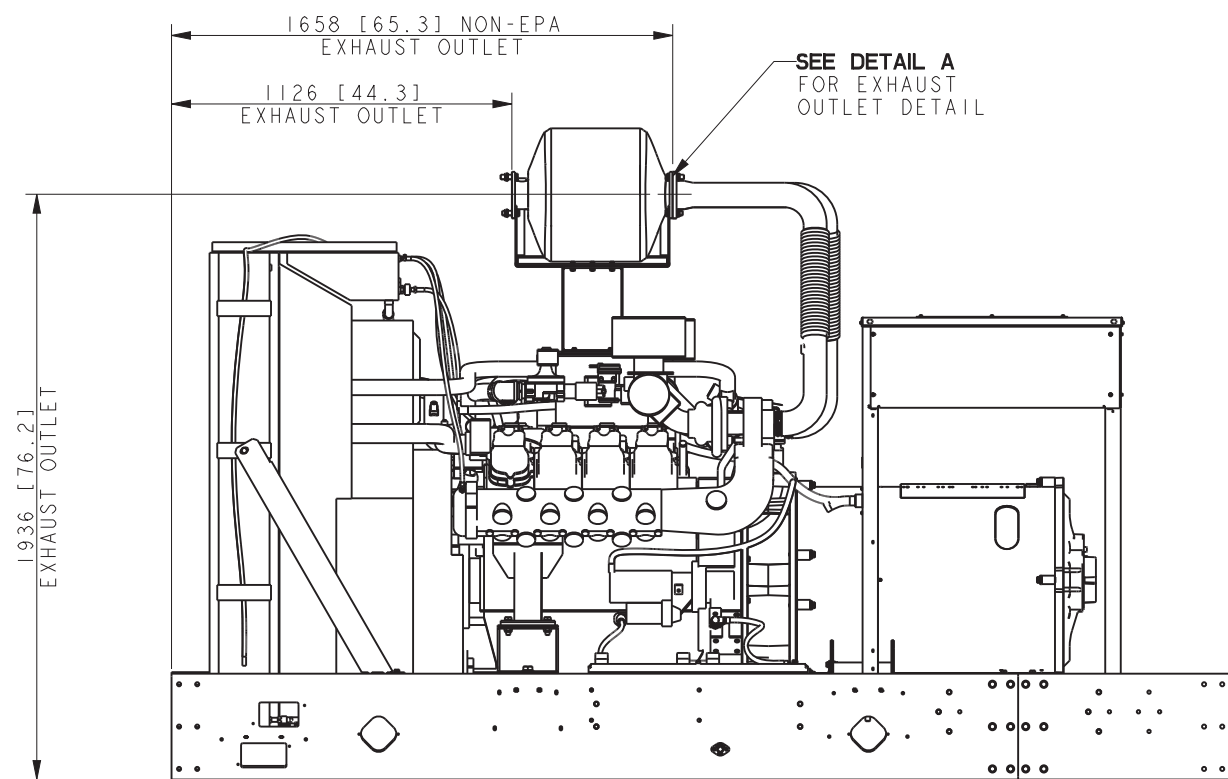
SCALE: 0.08 CAD NO. SHEET 1 of 3

DWG NO. **ADV-7987**

APPROVALS: DATE
DRAWN: AWK 1-14-11
CHECKED: CWF 1-14-11
APPROVED: WRD 1-14-11



SCALE 0.500



NOTE: DIMENSIONS IN [] ARE ENGLISH STANDARD EQUIVALENTS

250 MODEL, 4UA10/4UA13
 RECONNECTABLE,
 IMPROVED MOTOR STARTING (IMS) RECONNECTABLE
 & 600 VOLT ALTERNATORS
 14.6 LITER DOOSAN, EPA/NON-EPA

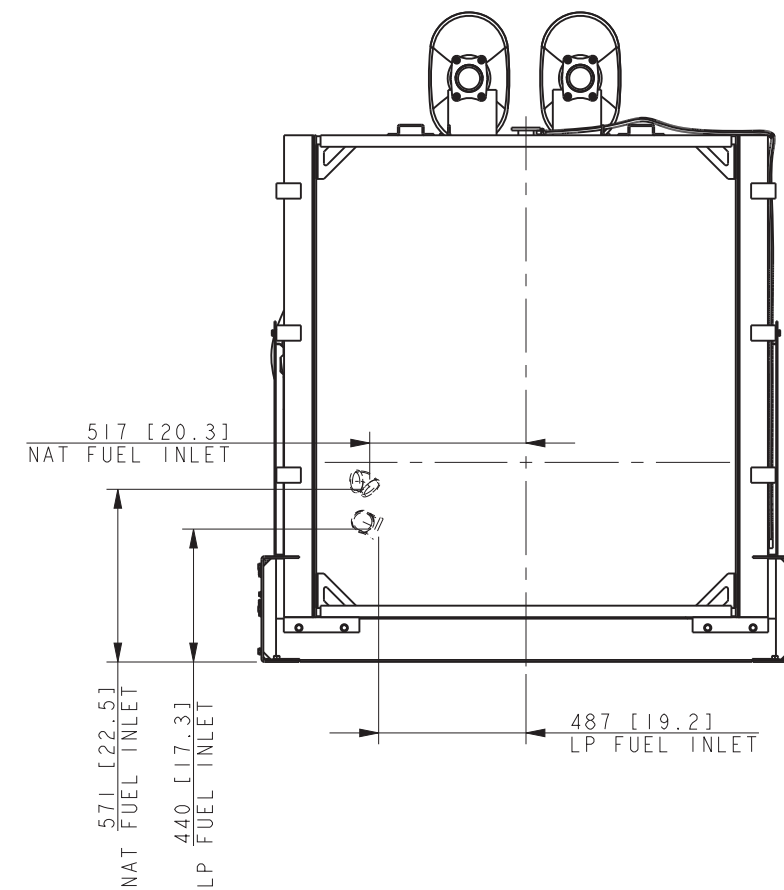
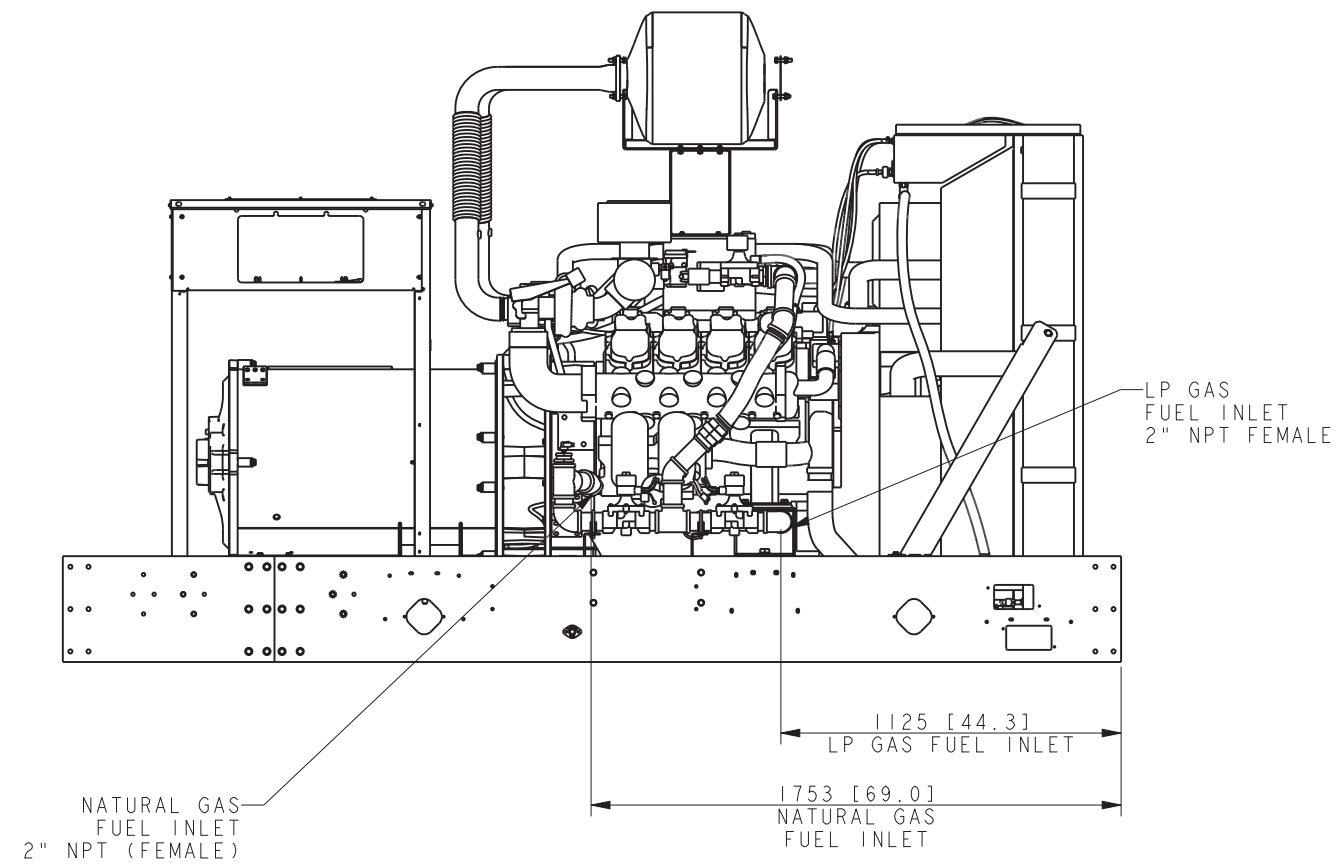
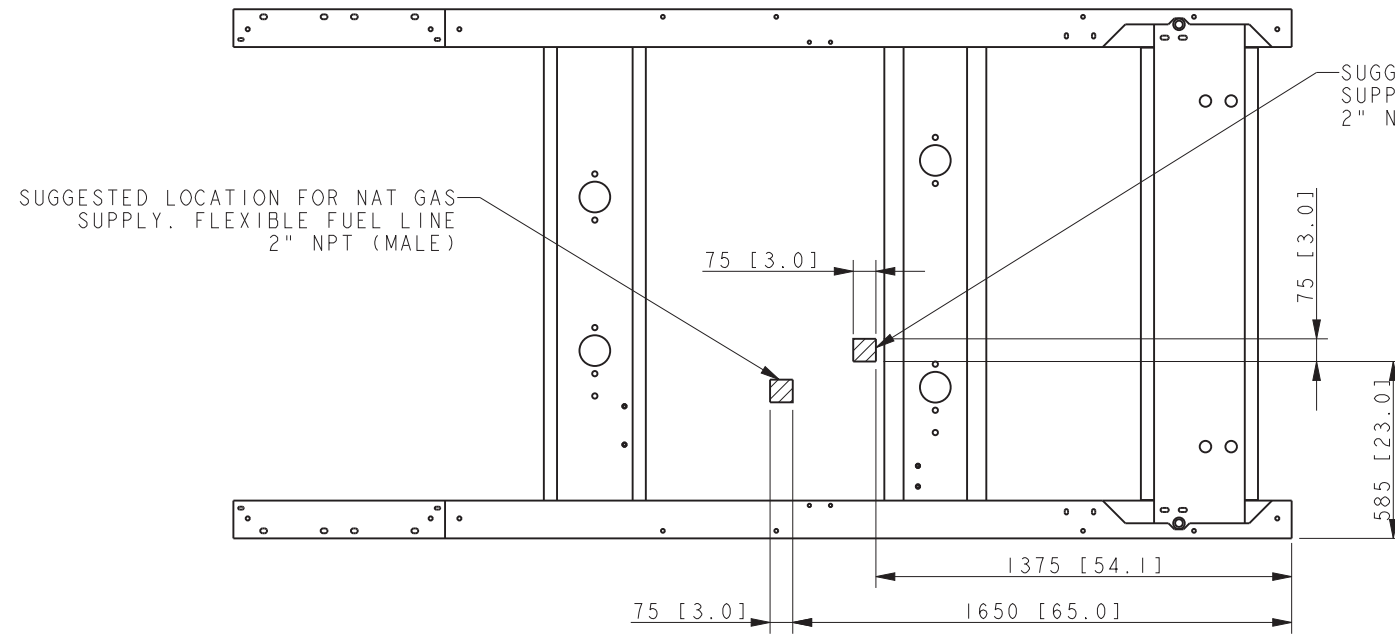
REV	DATE	ON COMPOSITE DWGS. SEE PART NO. FOR REVISION LEVEL	BY	UNLESS OTHERWISE SPECIFIED - 1) DIMENSIONS ARE IN MILLIMETERS 2) TOLERANCES ARE:
-	1-14-11	NEW DRAWING [90373-3]	AWK	
A	02-19-14	SEE SHEET 1 [CT72118]	SSH	
B	8-18-14	SEE SHEET 1 [CT89357]	SAK	

APPROVALS	DATE
DRAWN AWK	1-14-11
CHECKED CWF	1-14-11
APPROVED WRD	1-14-11

KOHLER CO. METRIC PRO-E
 POWER SYSTEMS, KOHLER, WI 53044 U.S.A.
 THIS DRAWING IN DESIGN AND DETAIL IS KOHLER CO. PROPERTY AND MUST NOT BE USED EXCEPT IN CONNECTION WITH KOHLER CO. WORK. ALL RIGHTS OF DESIGN OR INVENTION ARE RESERVED.

TITLE
DIMENSION PRINT, 250 REZX

SCALE 0.08 CAD NO. SHEET 2 of 3
 DWG NO. **ADV-7987** **D**



DUAL FUEL NATURAL GAS & LP GAS

NOTE: DIMENSIONS IN [] ARE ENGLISH STANDARD EQUIVALENTS

250 MODEL, 4UA10/4UA13
 RECONNECTABLE,
 IMPROVED MOTOR STARTING (IMS) RECONNECTABLE
 & 600 VOLT ALTERNATORS
 14.6 LITER DOOSAN, EPA/NON-EPA

REV	DATE	ON COMPOSITE DWGS. SEE PART NO. FOR REVISION LEVEL	BY
-	1-14-11	NEW DRAWING [90373-3]	AWK
A	02-19-14	SEE SHEET 1 [CT72118]	SSH
B	8-18-14	SEE SHEET 1 [CT89357]	SAK

UNLESS OTHERWISE SPECIFIED - 1) DIMENSIONS ARE IN MILLIMETERS 2) TOLERANCES ARE:	
APPROVALS	DATE
DRAWN AWK	1-14-11
CHECKED CWF	1-14-11
APPROVED WRD	1-14-11

KOHLER CO. METRIC PRO-E
 POWER SYSTEMS, KOHLER, WI 53044 U.S.A.
 THIS DRAWING IN DESIGN AND DETAIL IS KOHLER CO. PROPERTY AND MUST NOT BE USED EXCEPT IN CONNECTION WITH KOHLER CO. WORK. ALL RIGHTS OF DESIGN OR INVENTION ARE RESERVED.

TITLE
DIMENSION PRINT, 250 REZX

SCALE 0.08 CAD NO. SHEET 3 of 3
 DWG NO. **ADV-7987**