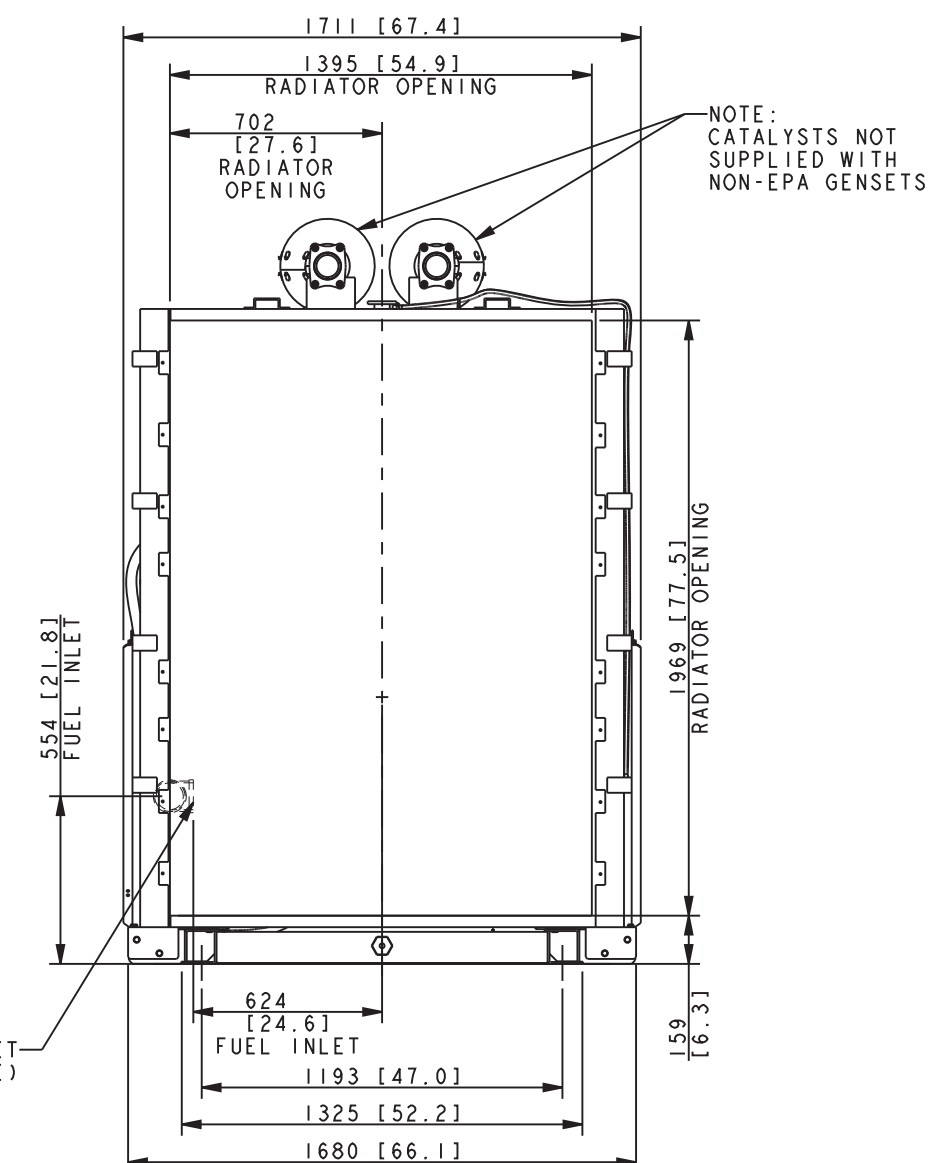
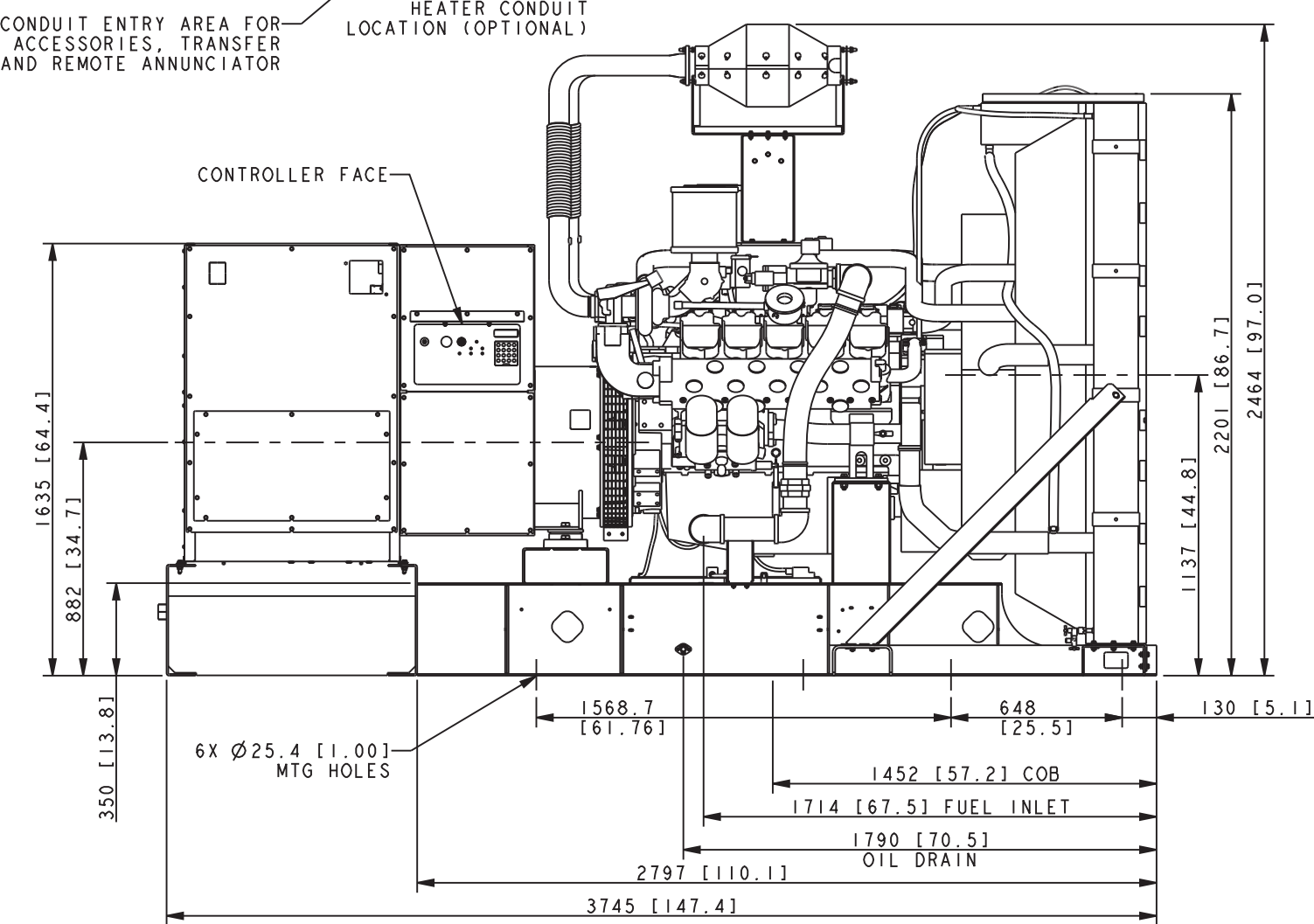


MODEL	ALTERNATOR FRAME	CONNECTION
300	4M4019	12 LEAD
	4M4266	4 LEAD
350	4M4019	12 LEAD
	5M4027	10 LEAD
	4M4158	4 LEAD
	4M4266	4 LEAD

ALL LEADS CONNECTIONS USE 10MM [3/8] HARDWARE

- NOTES:
- 1) DIMENSIONS IN [] ARE INCH EQUIVALENTS.
 - 2) WHEN A HOUSING IS USED THE FUEL LINE MUST BE STUBBED UP FROM DIRECTLY UNDER THE UNIT OR BROUGHT IN FROM THE END OF SKID.
- MAX. WEIGHT (WET) 3900 KG [8580 LBS] LESS ACCESSORIES



300/350 MODEL RECONNECTABLE 380V, 600V ALT 18 LITER DOOSAN, EPA & NON-EPA

REV	DATE	ON COMPOSITE DWGS. SEE PART NO. FOR REVISION LEVEL	BY	UNLESS OTHERWISE SPECIFIED - 1) DIMENSIONS ARE IN MILLIMETERS 2) TOLERANCES ARE:
-	2-5-11	NEW DRAWING [90713-3]	AWK	X.XX ± X.X ± ANGLES ±
A	5-18-11	(D-7/8) TOP CONDUIT ENTRY AREA ADDED; (C/D-7/8) 726 WAS 706, 113 WAS 123, 382 WAS 392, 342 WAS 322 [91691]	AWK	SURFACE FINISH MAX. THIRD ANGLE PROJECTION
				APPROVALS DATE
				DRAWN AWK 2-5-11
				CHECKED CWF 2-5-11
				APPROVED WRD 2-5-11

KOHLER CO. METRIC PRO-E

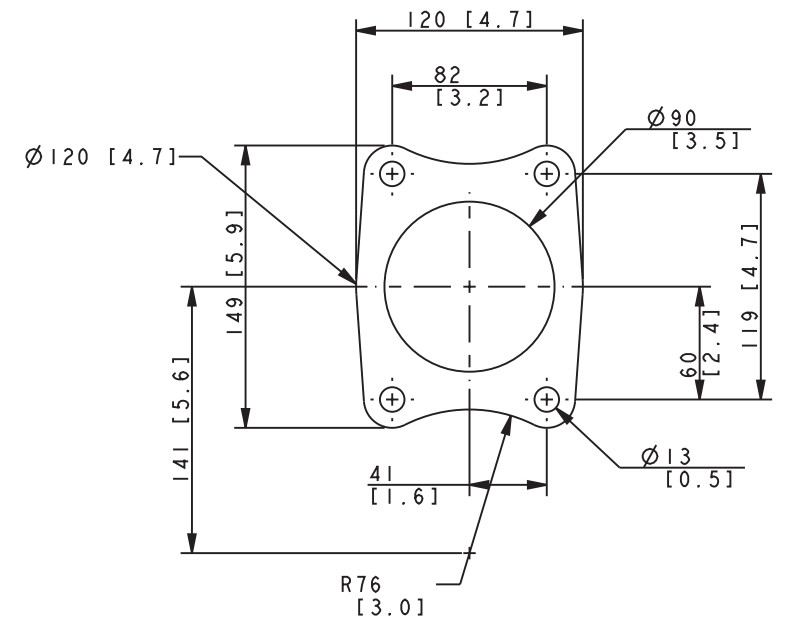
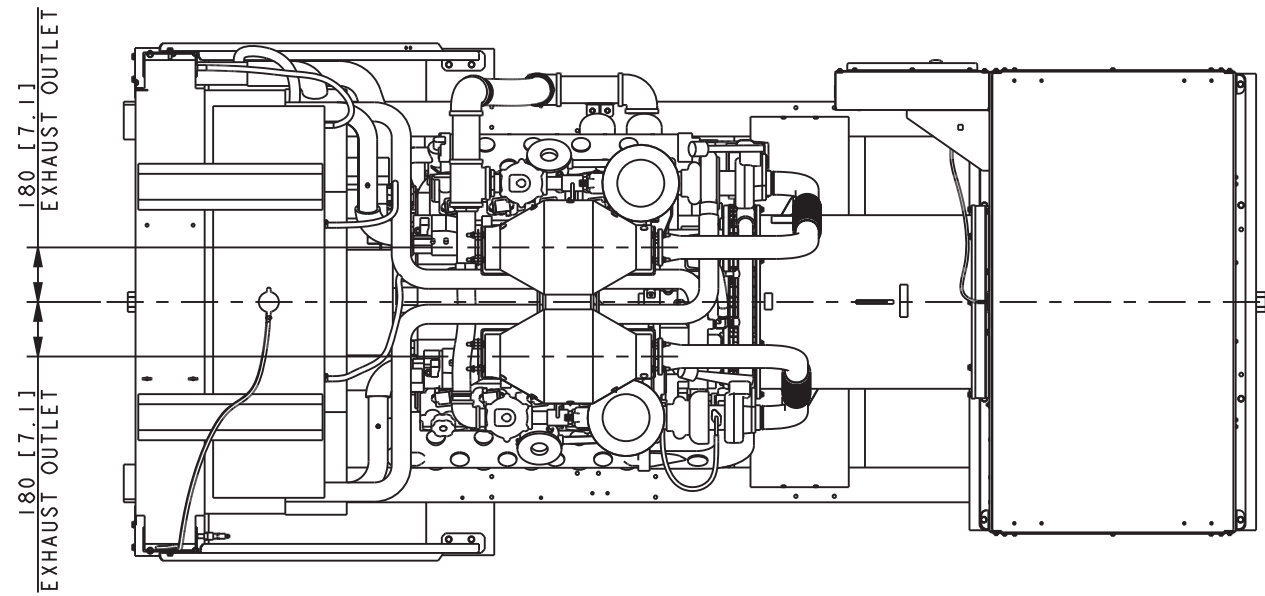
POWER SYSTEMS, KOHLER, WI 53044 U.S.A.

THIS DRAWING IN DESIGN AND DETAIL IS KOHLER CO. PROPERTY AND MUST NOT BE USED EXCEPT IN CONNECTION WITH KOHLER CO. WORK. ALL RIGHTS OF DESIGN OR INVENTION ARE RESERVED.

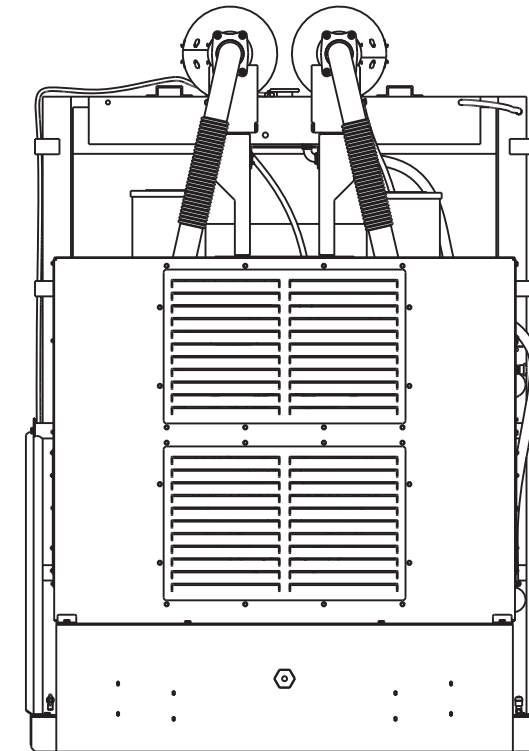
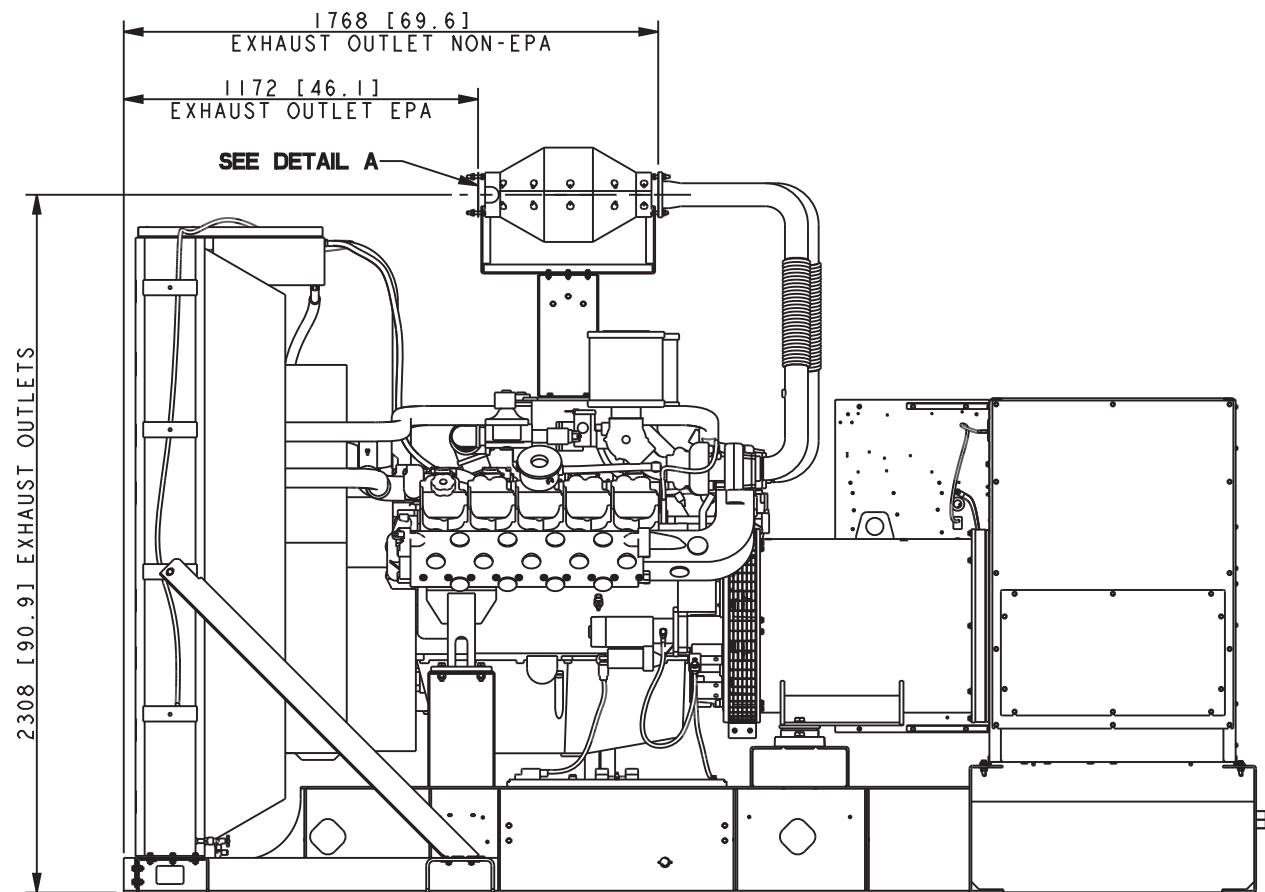
TITLE: **DIMENSION PRINT, 300/350 RZXB/REZXB**

SCALE 0.08 CAD NO. SHEET 1 of 3

DWG NO. **ADV-8044**



DETAIL A
EXHAUST OUTLETS
SCALE 0.50

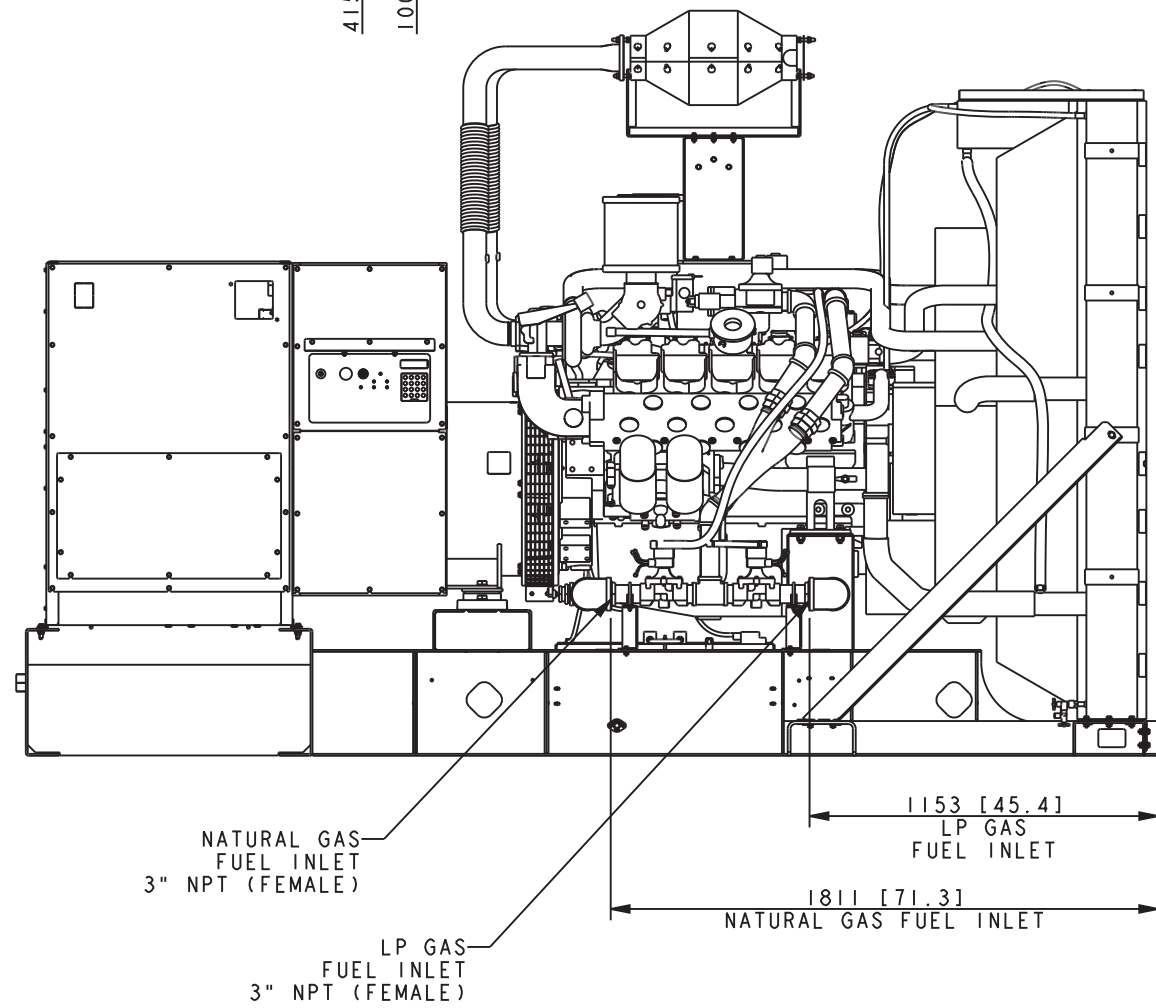
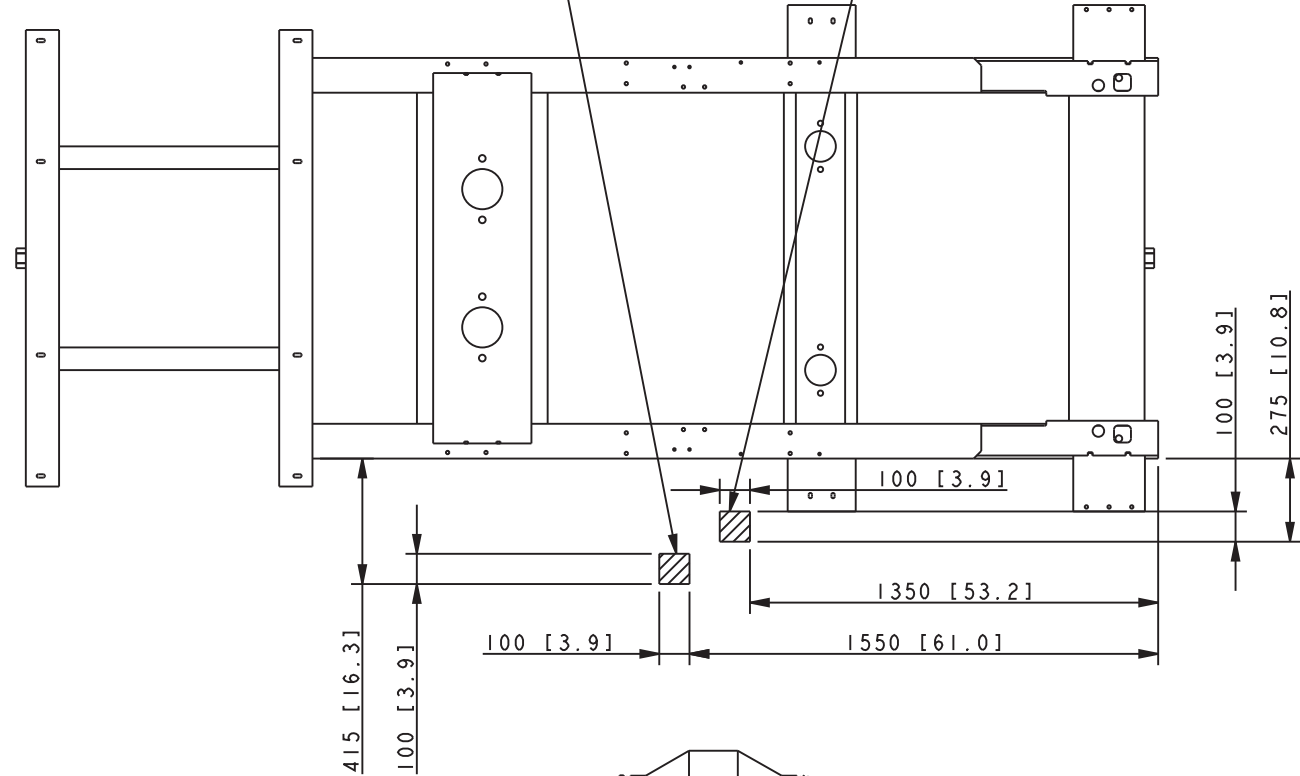


300/350 MODEL
RECONNECTABLE
380V, 600V ALT
18 LITER DOOSAN, EPA & NON-EPA

REV	DATE	ON COMPOSITE DWGS. SEE PART NO. FOR REVISION LEVEL	BY	UNLESS OTHERWISE SPECIFIED - 1) DIMENSIONS ARE IN MILLIMETERS 2) TOLERANCES ARE:	APPROVALS	DATE	TITLE	
-	2-5-11	NEW DRAWING [90713-3]	AWK	X.XX ±			KOHLER CO. METRIC PRO-E POWER SYSTEMS, KOHLER, WI 53044 U.S.A. THIS DRAWING IN DESIGN AND DETAIL IS KOHLER CO. PROPERTY AND MUST NOT BE USED EXCEPT IN CONNECTION WITH KOHLER CO. WORK. ALL RIGHTS OF DESIGN OR INVENTION ARE RESERVED.	
A	5-18-11	SEE SHEET 1 [91691]	AWK	X.X ±				
				ANGLES ±			DIMENSION PRINT, 300/350 RZXB/REZXB SCALE 0.08 CAD NO. SHEET 2 of 3 Dwg No. ADV-8044	
					APPROVED	WRD		2-5-11
					CHECKED	CWF		2-5-11

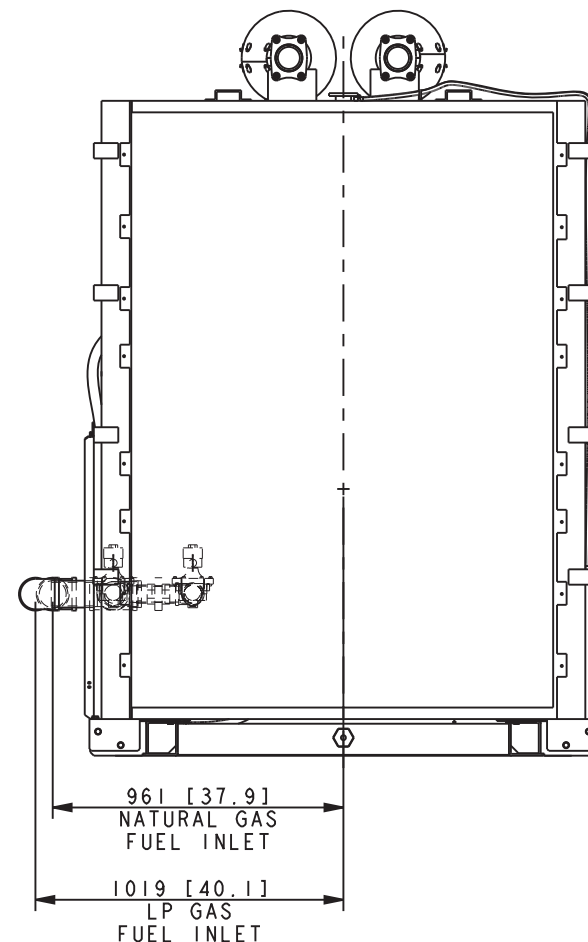
SUGGESTED LOCATION FOR LP GAS SUPPLY
(FLEXIBLE FUEL LINE 3" NPT MALE)

SUGGESTED LOCATION FOR NATURAL GAS SUPPLY
(FLEXIBLE FUEL LINE 3" NPT MALE)



DUAL FUEL NATURAL GAS & LP GAS

300/350 MODEL
RECONNECTABLE
380V, 600V ALT
18 LITER DOOSAN, EPA & NON-EPA



REV	DATE	ON COMPOSITE DWGS. SEE PART NO. FOR REVISION LEVEL	BY	UNLESS OTHERWISE SPECIFIED - 1) DIMENSIONS ARE IN MILLIMETERS 2) TOLERANCES ARE:
-	2-5-11	NEW DRAWING [90713-3]	AWK	X.XX ±
A	5-18-11	SEE SHEET 1 [91691]	AWK	X.X ±
				ANGLES ±
				SURFACE FINISH MAX.
				THIRD ANGLE PROJECTION
			APPROVALS	DATE
			DRAWN AWK	2-5-11
			CHECKED CWF	2-5-11
			APPROVED WRD	2-5-11

KOHLER CO. METRIC PRO-E
POWER SYSTEMS, KOHLER, WI 53044 U.S.A.
THIS DRAWING IN DESIGN AND DETAIL IS KOHLER CO. PROPERTY AND MUST NOT BE USED EXCEPT IN CONNECTION WITH KOHLER CO. WORK. ALL RIGHTS OF DESIGN OR INVENTION ARE RESERVED.

TITLE
DIMENSION PRINT, 300/350 RZXB/REZXB

SCALE 0.08 CAD NO. SHEET 3 of 3
DWG NO. **ADV-8044** **D**