

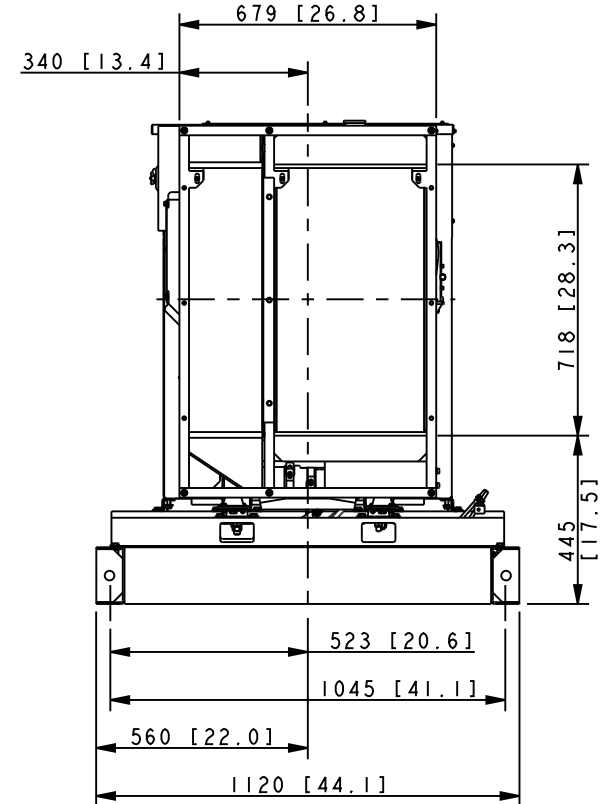
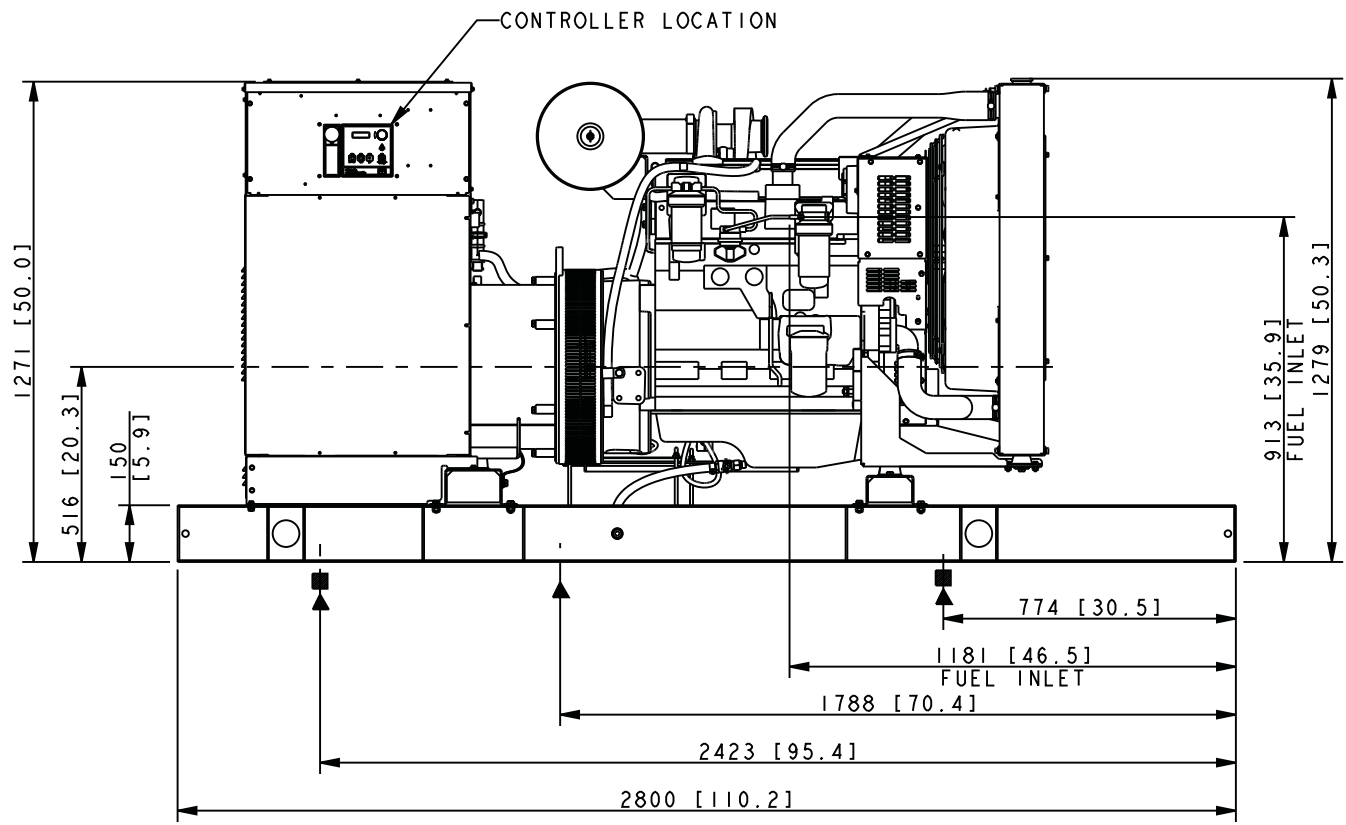
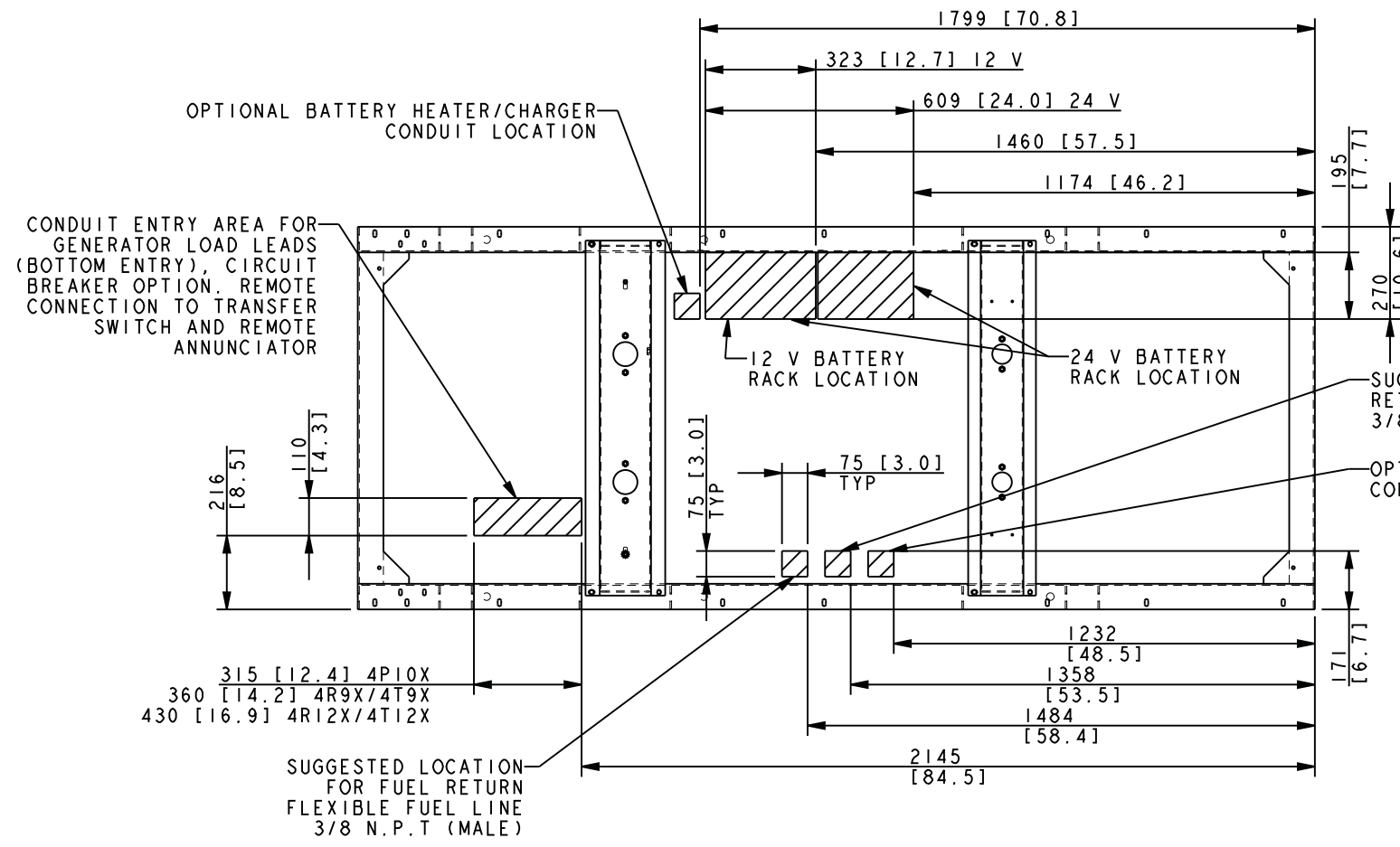
INSTALLATION NOTE
 IF SUBBASE FUEL TANK AND/OR SOUND HOUSING IS USED, REFER TO SUBBASE FUEL TANK DRAWING TO DETERMINE MOUNTING LOCATIONS

MODEL	GENSET WEIGHT (WET)
80 4P10X	973 KG [2145 LBS]
80 4R9X, 4T9X 100 4R9X	1056 KG [2328 LBS]
100 4R12X, 4T12X	1119 KG [2468 LBS]

NOTES
 DIMENSIONS IN [] ARE ENGLISH EQUIVALENTS.
 IF AN ENCLOSURE IS USED, THE FUEL LINE MUST BE STUBBED UP FROM DIRECTLY UNDER THE UNIT OR BROUGHT IN FROM THE END OF THE SKID. REFER TO ENCLOSURE ADV.
 IF IBC CERTIFICATION IS REQUIRED SEE SEISMIC ADV FOR INSTALLATION INSTRUCTIONS.

FOR OPEN GENSETS
 80RE0ZJF MODEL, 4P10X, 4R9X, 4T9X
 100RE0ZJF MODEL, 4R9X, 4R12X, 4T12X
RECONNECTABLE
IMPROVE MOTOR STARTING (IMS) RECONNECTABLE
 600V & 1 PHASE ALTERNATORS
 4045HF285 JOHN DEERE, TIER III

REV	DATE	ON COMPOSITE DWGS. SEE PART NO. FOR REVISION LEVEL	BY	UNLESS OTHERWISE SPECIFIED - 1) DIMENSIONS ARE IN MILLIMETERS 2) TOLERANCES ARE:	APPROVALS	DATE	TITLE
-	5-12-11	NEW DRAWING [91379-4]	KMP	X.XX ± 0.25 X.X ± 1.0 X ± 1.5 ANGLES ± 0° 30' MAX.		5-12-11	KOHLER CO. METRIC PRO-E POWER SYSTEMS, KOHLER, WI 53044 U.S.A. THIS DRAWING IN DESIGN AND DETAIL IS KOHLER CO. PROPERTY AND MUST NOT BE USED EXCEPT IN CONNECTION WITH KOHLER CO. WORK. ALL RIGHTS OF DESIGN OR INVENTION ARE RESERVED. DIMENSION PRINT 80-100 MODEL
				THIRD ANGLE PROJECTION	APPROVED	5-12-11	SCALE 0.15 CAD NO. SHEET 1 of 4
					CHECKED	5-12-11	DWG NO. ADV-8181
					APPROVED	5-12-11	D



FOR ENCLOSED GENSETS
 80RE0ZJF MODEL, 4P10X, 4R9X, 4T9X
 100RE0ZJF MODEL, 4R9X, 4R12X, 4T12X
 RECONNECTABLE
 IMPROVE MOTOR STARTING (IMS) RECONNECTABLE
 600V & 1 PHASE ALTERNATORS
 4045HF285 JOHN DEERE, TIER III

REV	DATE	ON COMPOSITE DWGS. SEE PART NO. FOR REVISION LEVEL	BY
-	5-12-11	NEW DRAWING [91379-4]	KMP

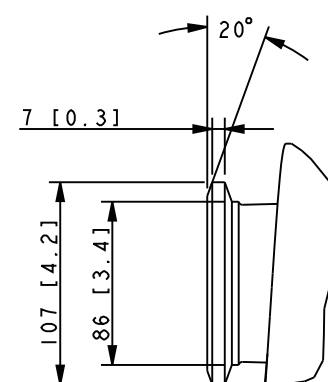
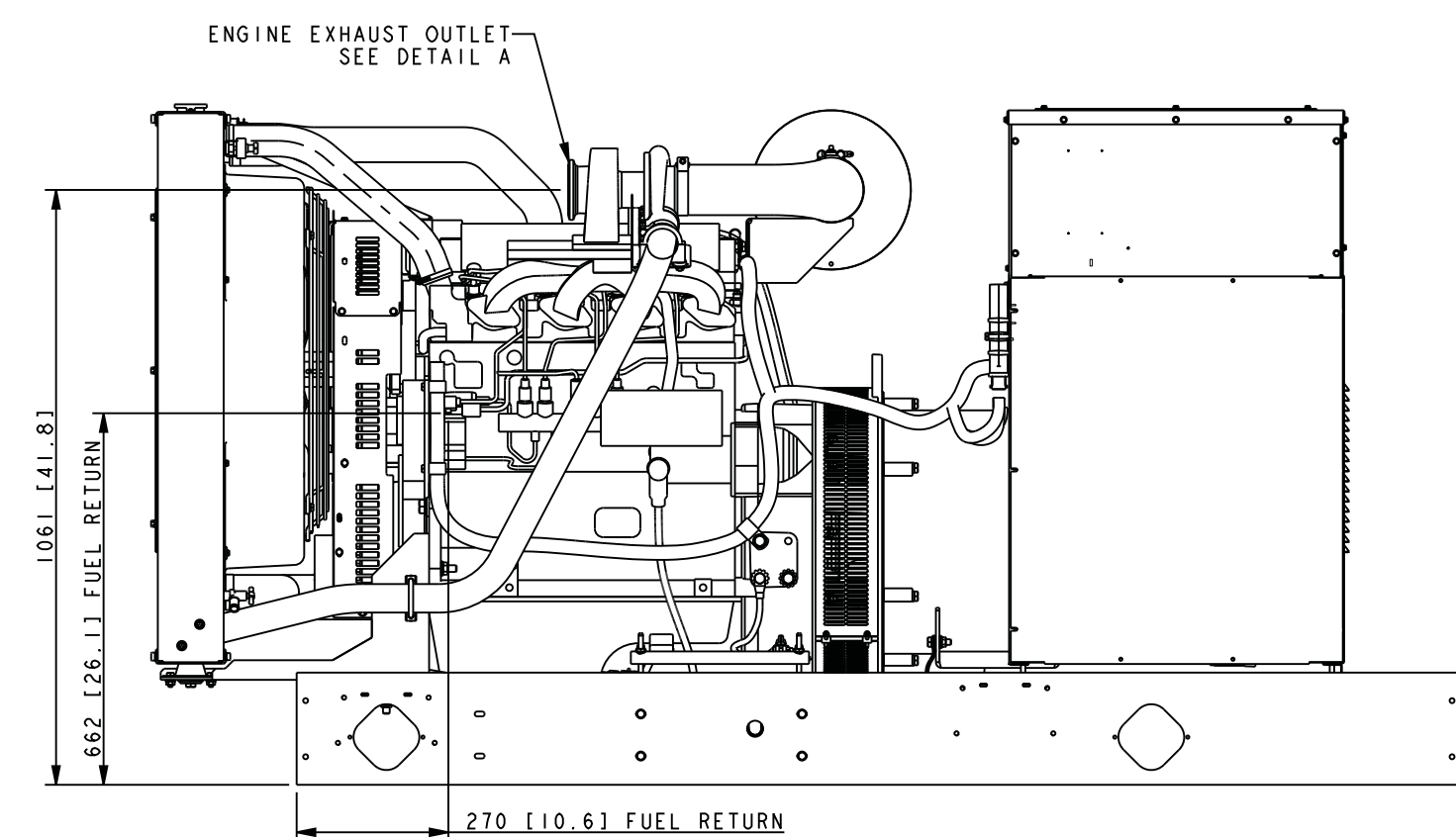
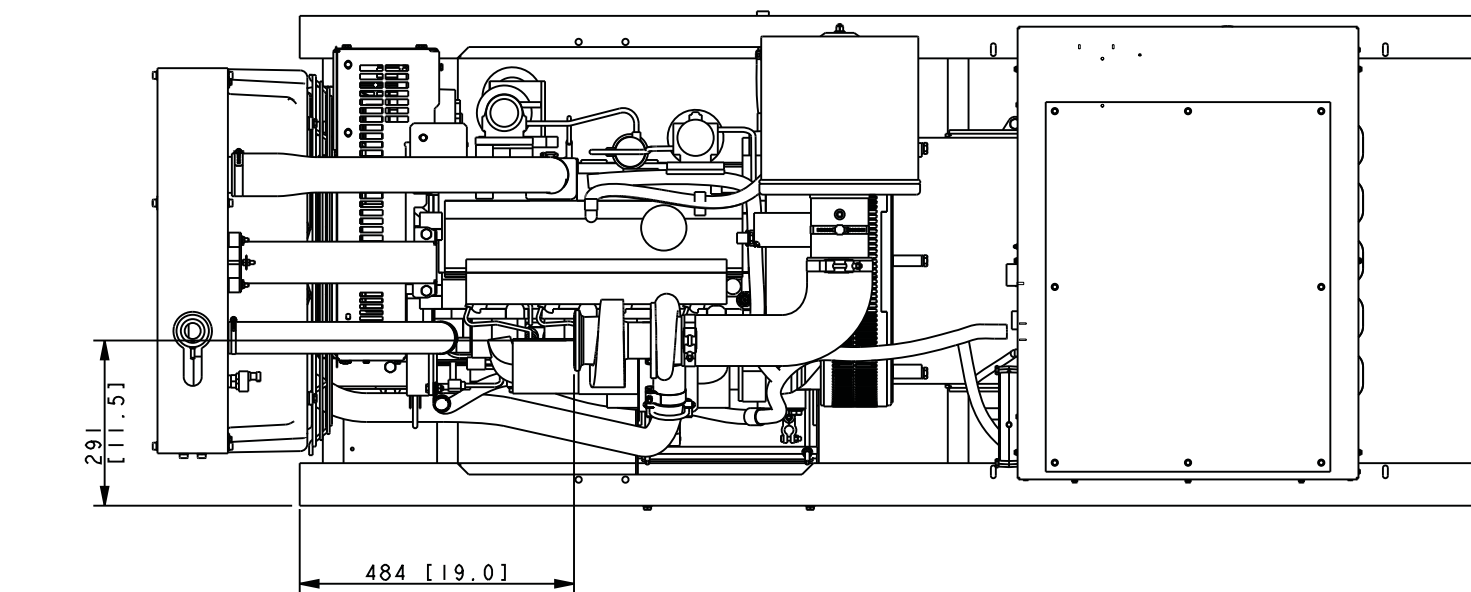
UNLESS OTHERWISE SPECIFIED:
 1) DIMENSIONS ARE IN MILLIMETERS
 2) TOLERANCES ARE:
 X.XX ± 0.25
 X.X ± 1.0
 X ± 1.5
 ANGLES ± 0° 30' MAX.
 SURFACE FINISH
 THIRD ANGLE PROJECTION

APPROVALS	DATE
DRAWN KMP	5-12-11
CHECKED PLD	5-12-11
APPROVED GDF	5-12-11

KOHLER CO. METRIC PRO-E
 POWER SYSTEMS, KOHLER, WI 53044 U.S.A.
 THIS DRAWING IN DESIGN AND DETAIL IS KOHLER CO. PROPERTY AND MUST NOT BE USED EXCEPT IN CONNECTION WITH KOHLER CO. WORK. ALL RIGHTS OF DESIGN OR INVENTION ARE RESERVED.

TITLE
DIMENSION PRINT 80-100 MODEL

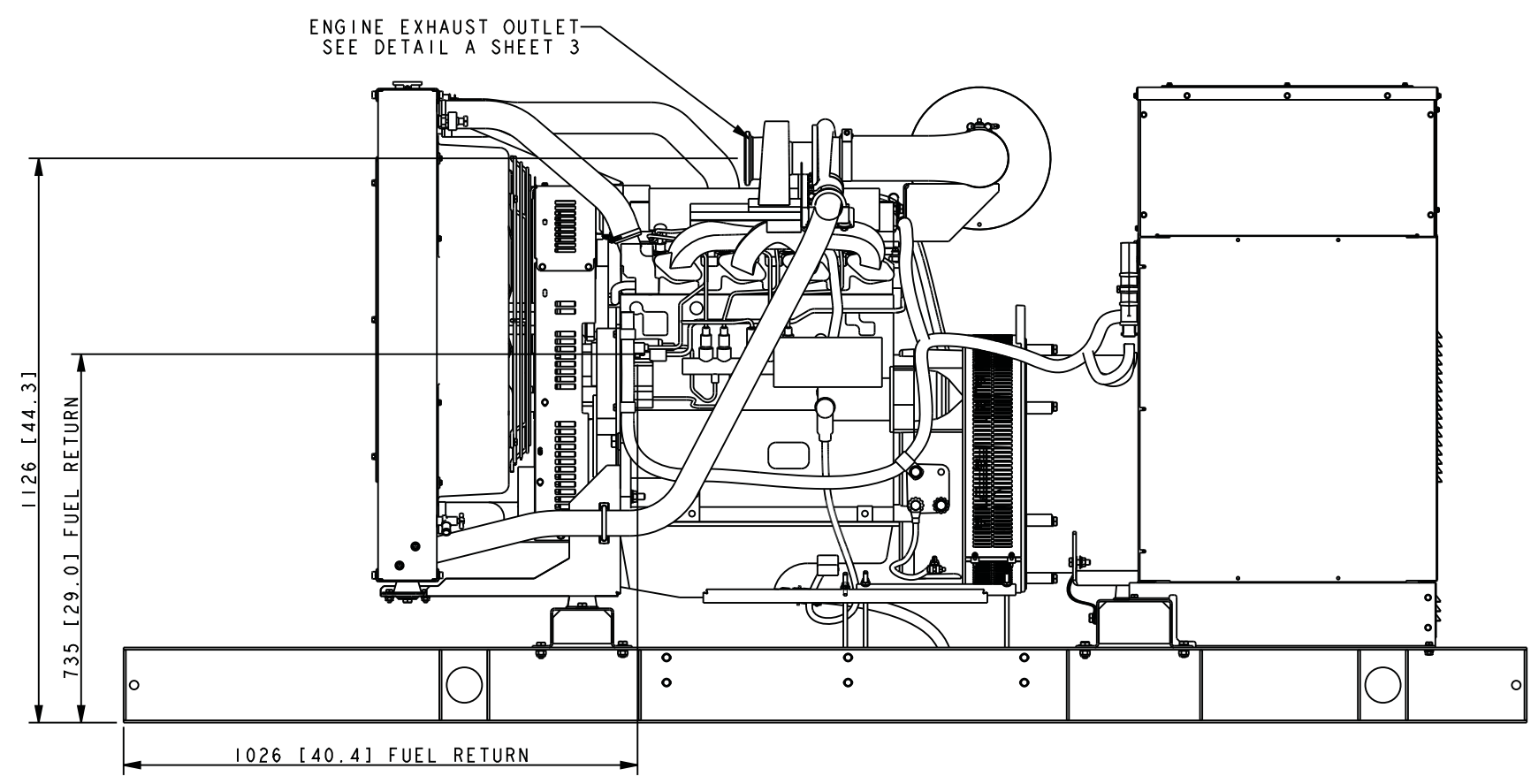
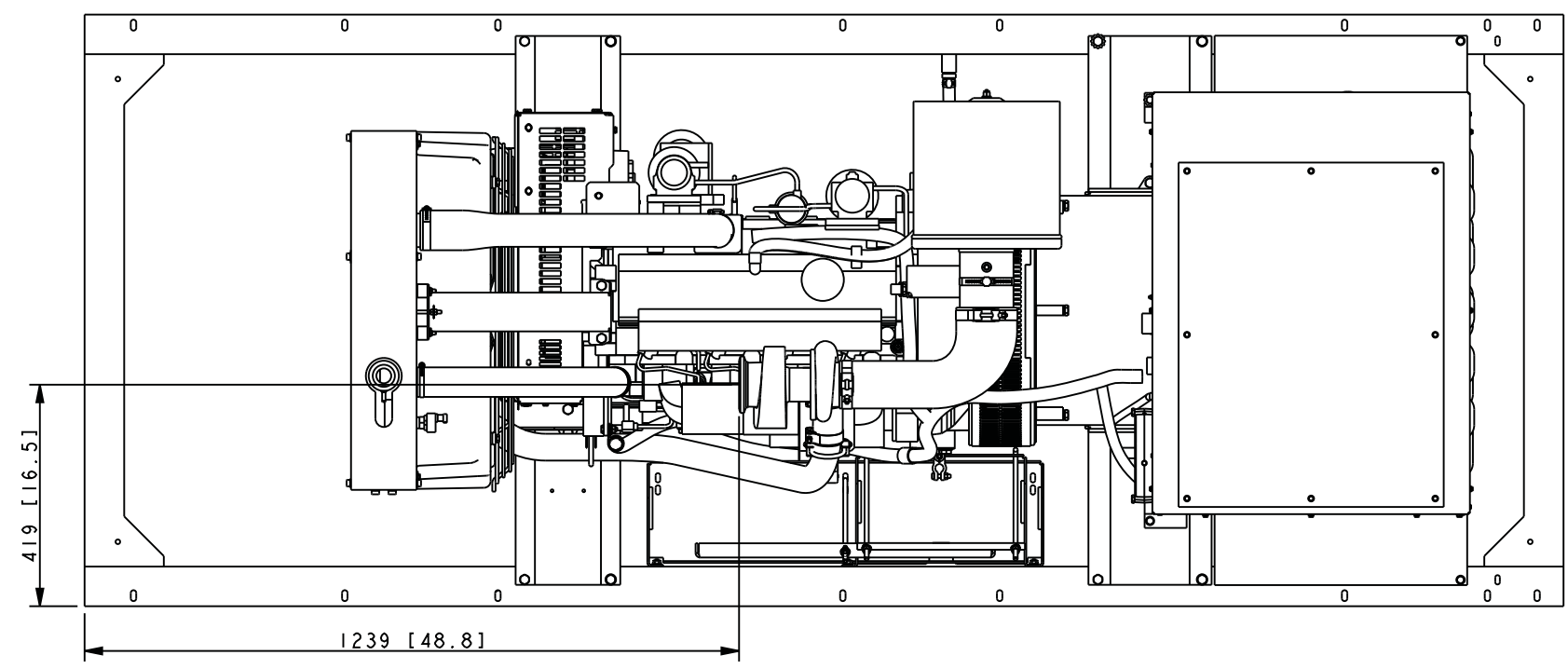
SCALE 0.10 CAD NO. SHEET 2 of 4
 DWG NO. **ADV-8181**



DETAIL A
EXHAUST OUTLET
SCALE 0.50

FOR OPEN GENSETS
80RE0ZJF MODEL, 4P10X, 4R9X, 4T9X
100RE0ZJF MODEL, 4R9X, 4R12X, 4T12X
FUEL RETURN AND EXHAUST
LOCATION WITH 34 IN. SKID

REV	DATE	ON COMPOSITE DWGS. SEE PART NO. FOR REVISION LEVEL	BY	UNLESS OTHERWISE SPECIFIED - 1) DIMENSIONS ARE IN MILLIMETERS 2) TOLERANCES ARE:	TITLE
-	5-19-11	NEW DRAWING [91379-4]	KMP	X.XX ± 0.25 X.X ± 1.0 X ± 1.5 ANGLES ± 0° 30' MAX.	KOHLER CO. METRIC PRO-E POWER SYSTEMS, KOHLER, WI 53044 U.S.A. THIS DRAWING IN DESIGN AND DETAIL IS KOHLER CO. PROPERTY AND MUST NOT BE USED EXCEPT IN CONNECTION WITH KOHLER CO. WORK. ALL RIGHTS OF DESIGN OR INVENTION ARE RESERVED.
				THIRD ANGLE PROJECTION	DIMENSION PRINT 80-100 MODEL
		APPROVALS	DATE	SCALE 0.15 CAD NO. SHEET 3 of 4	
		DRAWN	5-19-11	DWG NO. ADV-8181 D	
		CHECKED	PLD 5-19-11		
		APPROVED	GDF 5-19-11		



FOR ENCLOSED GENSETS
 80RE0ZJF MODEL, 4P10X, 4R9X, 4T9X
 100RE0ZJF MODEL, 4R9X, 4R12X, 4T12X
 FUEL RETURN AND EXHAUST
 LOCATION WITH 44 IN. SKID

REV	DATE	ON COMPOSITE DWGS. SEE PART NO. FOR REVISION LEVEL	BY	UNLESS OTHERWISE SPECIFIED - 1) DIMENSIONS ARE IN MILLIMETERS 2) TOLERANCES ARE:	APPROVALS	DATE	TITLE
-	5-19-11	NEW DRAWING [91379-4]	KMP	X.XX ± 0.25 X.X ± 1.0 X ± 1.5 ANGLES ± 0° 30' MAX.		5-19-11	KOHLER CO. METRIC PRO-E POWER SYSTEMS, KOHLER, WI 53044 U.S.A. THIS DRAWING IN DESIGN AND DETAIL IS KOHLER CO. PROPERTY AND MUST NOT BE USED EXCEPT IN CONNECTION WITH KOHLER CO. WORK. ALL RIGHTS OF DESIGN OR INVENTION ARE RESERVED.
				THIRD ANGLE PROJECTION			DIMENSION PRINT 80-100 MODEL
					CHECKED	5-19-11	SCALE 0.15 CAD NO. SHEET 4 of 4
					APPROVED	5-19-11	DWG NO. ADV-8181 D