

INSTALLATION NOTE
 IF IBC CERTIFICATION IS REQUIRED SEE SEISMIC ADV FOR INSTALLATION INSTRUCTIONS

REV	DATE	REVISION	BY
-	5-2-11	NEW DRAWING [90404-8]	DJV
A	6-24-11	(A-4-7) 2X #24.0 [.94] ADDED, 381 [15.0], 2032 [80.0], 2424 [95.4], 3839 [151.1] ADDED; NUMBER OF DECIMAL PLACES CORRECTED ON ALL DIMENSIONS [91801]	KUB

MODEL	ALT. FRAME	CONNECTION
750 60HZ	5M4032	10 LEAD
750/800 60HZ	5M4034	10 LEAD
750/800 60HZ	5M4036	10 LEAD
800 60HZ	5M4038	4 LEAD
750/800 60HZ	5M4166	4 LEAD
800 60HZ	5M4168	4 LEAD
750 60HZ	5M4276	4 LEAD
750/800 60HZ	5M4278	4 LEAD
800 60HZ	5M4280	4 LEAD

ALL LEAD CONNECTIONS USE #10 [.38] HARDWARE

INSTALLATION NOTE
 IF SUBBASE FUEL TANK AND/OR SOUND HOUSING IS USED, REFER TO SUBBASE FUEL TANK ADV TO DETERMINE MOUNTING LOCATIONS.

GENSET WET WEIGHT (Kg [lbs]):
 (LESS ACCESSORIES)
 RAD, MOUNTED MAX. (WET) 6577 [14,500]

⚠ WHEN SUBBASE TANK IS USED, CONDUIT LOCATION SHOULD BE ALTERED ACCORDINGLY, OR IN STUB-UP AREA FOR SUBBASE TANK. REFER TO SUBBASE ADV.

METRIC CAD FILE

DIMENSIONS IN [] ARE INCH EQUIVALENTS.

APPROVALS	DATE
DJV	5-2-11
DJV	5-2-11
WRD	5-2-11

KOHLER CO.
 POWER SYSTEMS, KOHLER, WI 53044 U.S.A.
 THIS DRAWING IS DESIGN AND DETAIL. IT IS KOHLER CO. PROPERTY AND MUST NOT BE LOANED, REPRODUCED, COPIED, OR IN ANY MANNER BE USED WITHOUT THE WRITTEN PERMISSION OF KOHLER CO. ALL RIGHTS OF DESIGN OR INVENTION ARE RESERVED.

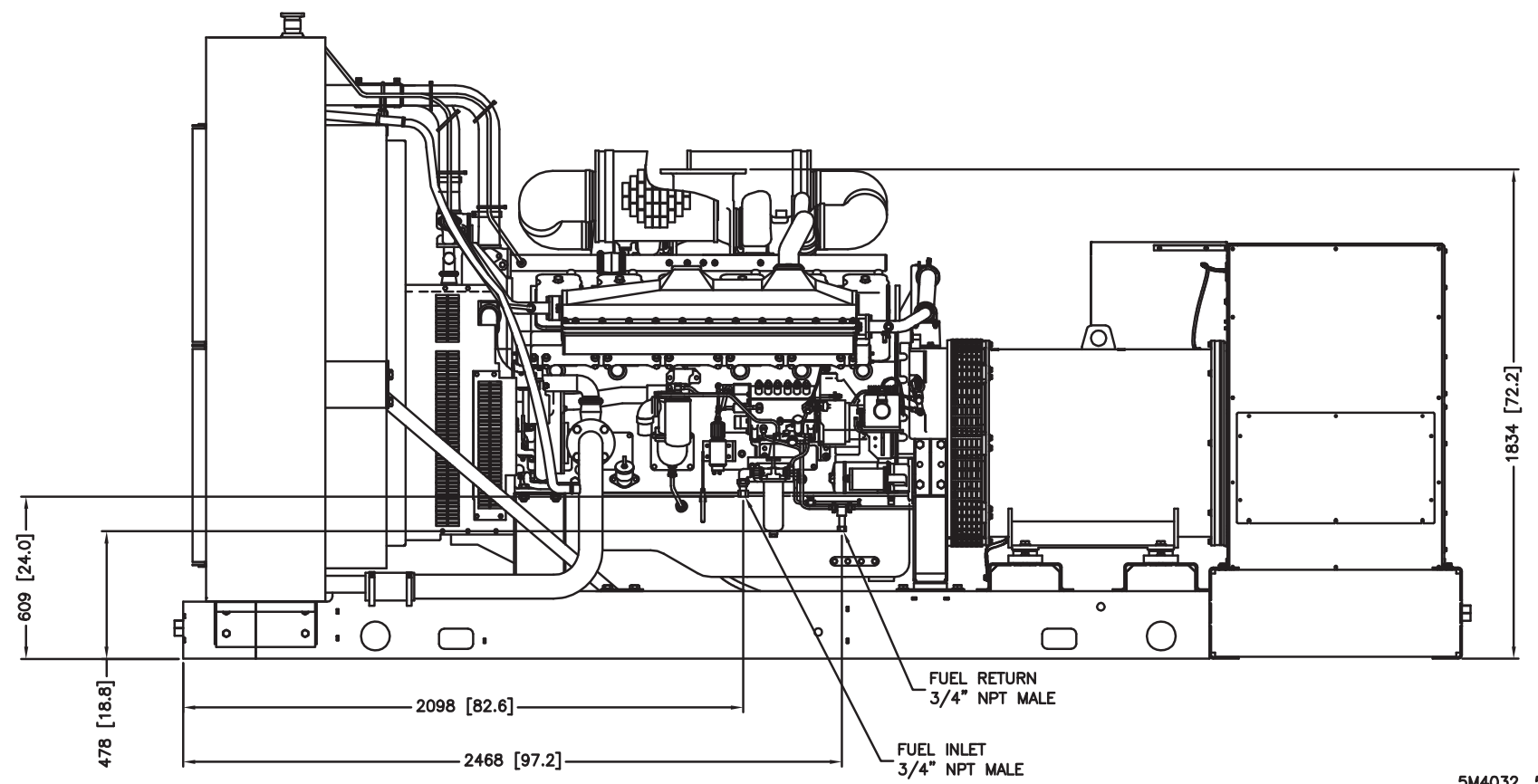
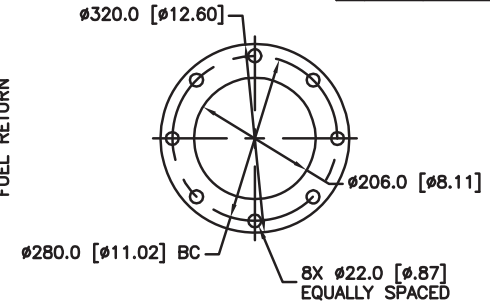
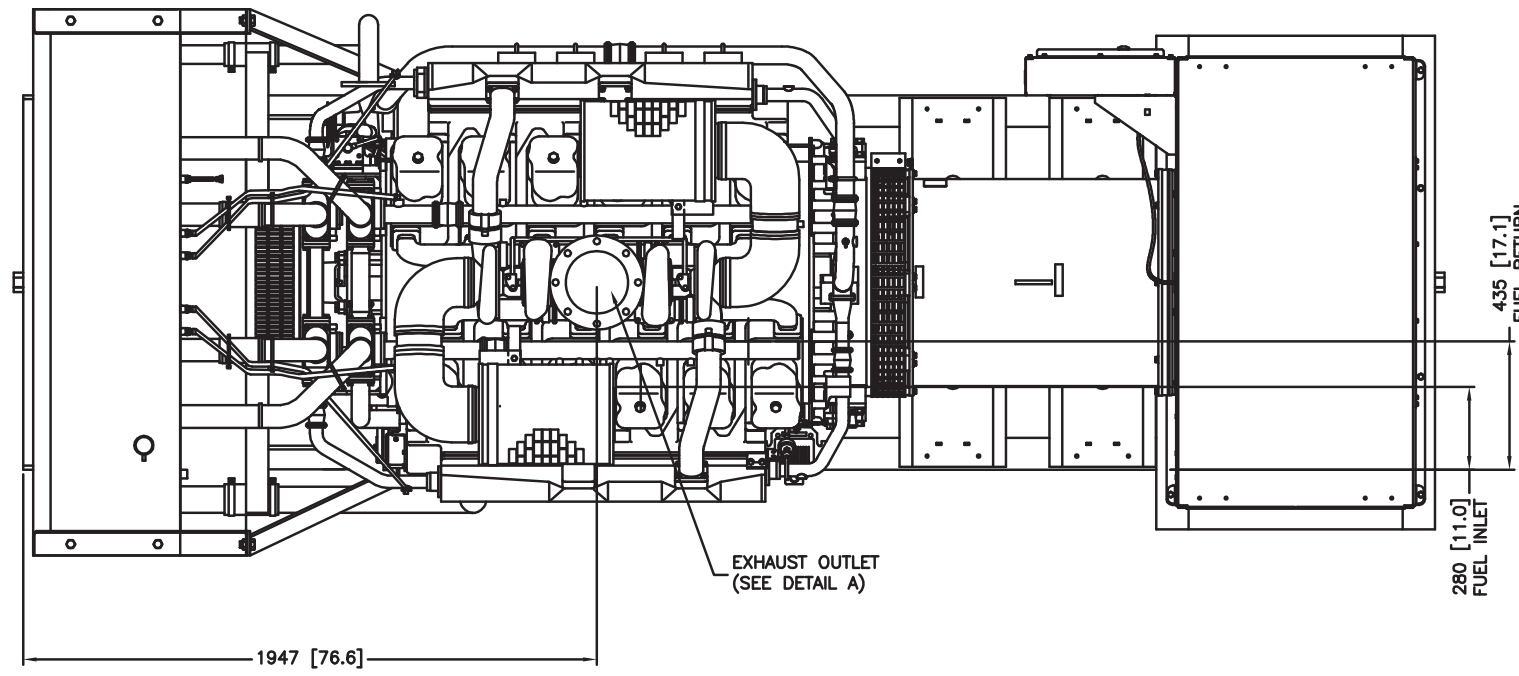
750/800 MODEL 50/60 HZ
 5M4032, 5M4034, 5M4036, 5M4038, 5M4166, 5M4168, 5M4276, 5M4278, 5M4280
 380V, 600V ALTERNATORS
 SOC COOLING SYSTEM
 MITSUBISHI, TIER II

DIMENSION PRINT
 750/850RE0ZMD

ADV-8207

8 | 7 | 6 | 5 | 4 | 3 | 2 | 1

REV	DATE	REVISION	BY
-	5-2-11	NEW DRAWING [80404-8]	DJV
A	6-24-11	NUMBER OF DECIMAL PLACES CORRECTED FOR ALL DIMENSIONS [81901]	KJB



METRIC CAD FILE

DIMENSIONS IN [] ARE INCH EQUIVALENTS.

750/800 MODEL 50/60 HZ
5M4032, 5M4034, 5M4036, 5M4038, 5M4166
5M4168, 5M4276, 5M4278, 5M4280
380V, 600V ALTERNATORS
50C COOLING SYSTEM
MITSUBISHI, TIER II

UNLESS OTHERWISE SPECIFIED -	
1) DIMENSIONS ARE IN MILLIMETERS	
2) TOLERANCES ARE:	
XXX ±	SURFACE FINISH
XX ±	✓ MIC.
X ±	
ANGLES ±	
DATE	DATE
APPROVALS	DATE
DJV	5-2-11
DJV	5-2-11
WRD	5-2-11

KOHLER CO.
POWER SYSTEMS, KOHLER, WI 53044 U.S.A.
THIS DRAWING IS DESIGN AND DETAIL OF KOHLER CO. PROPERTY AND
MAY NOT BE USED EXCEPT IN CONNECTION WITH KOHLER CO. WORK.
ALL RIGHTS OF DESIGN OR INVENTION ARE RESERVED.

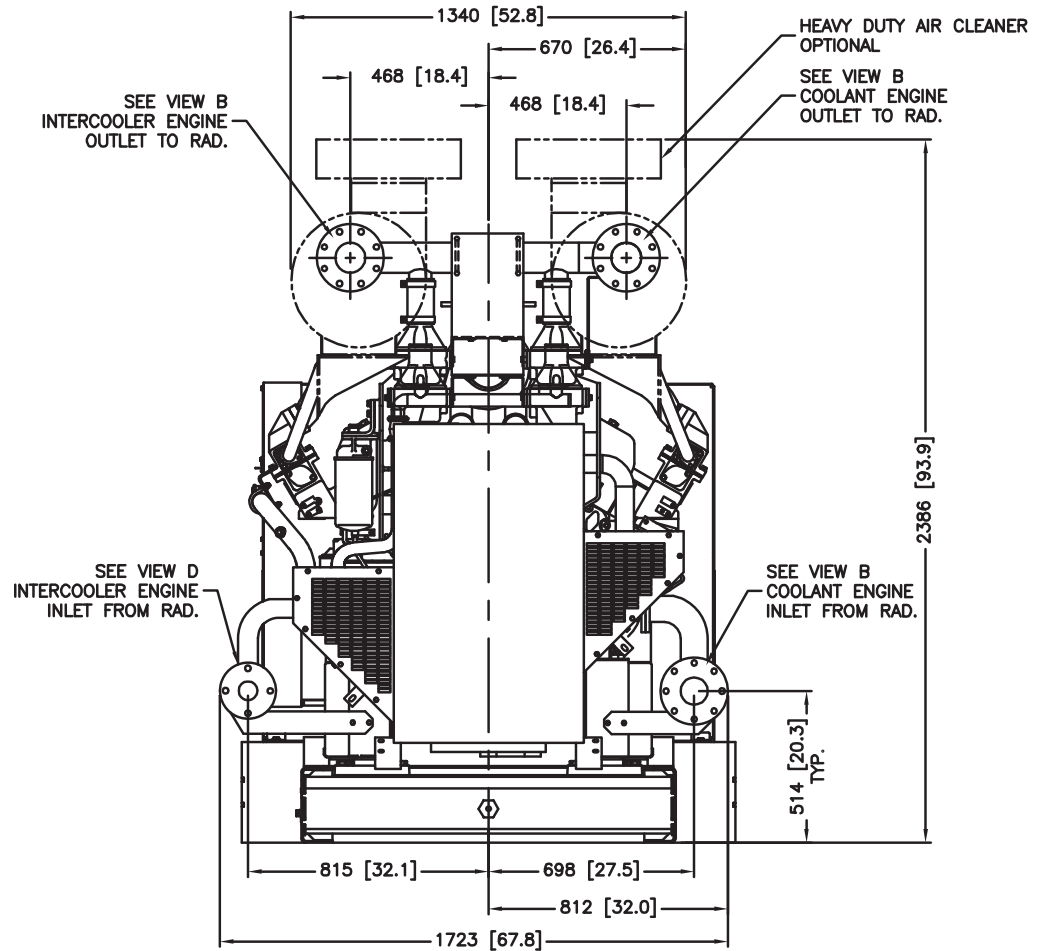
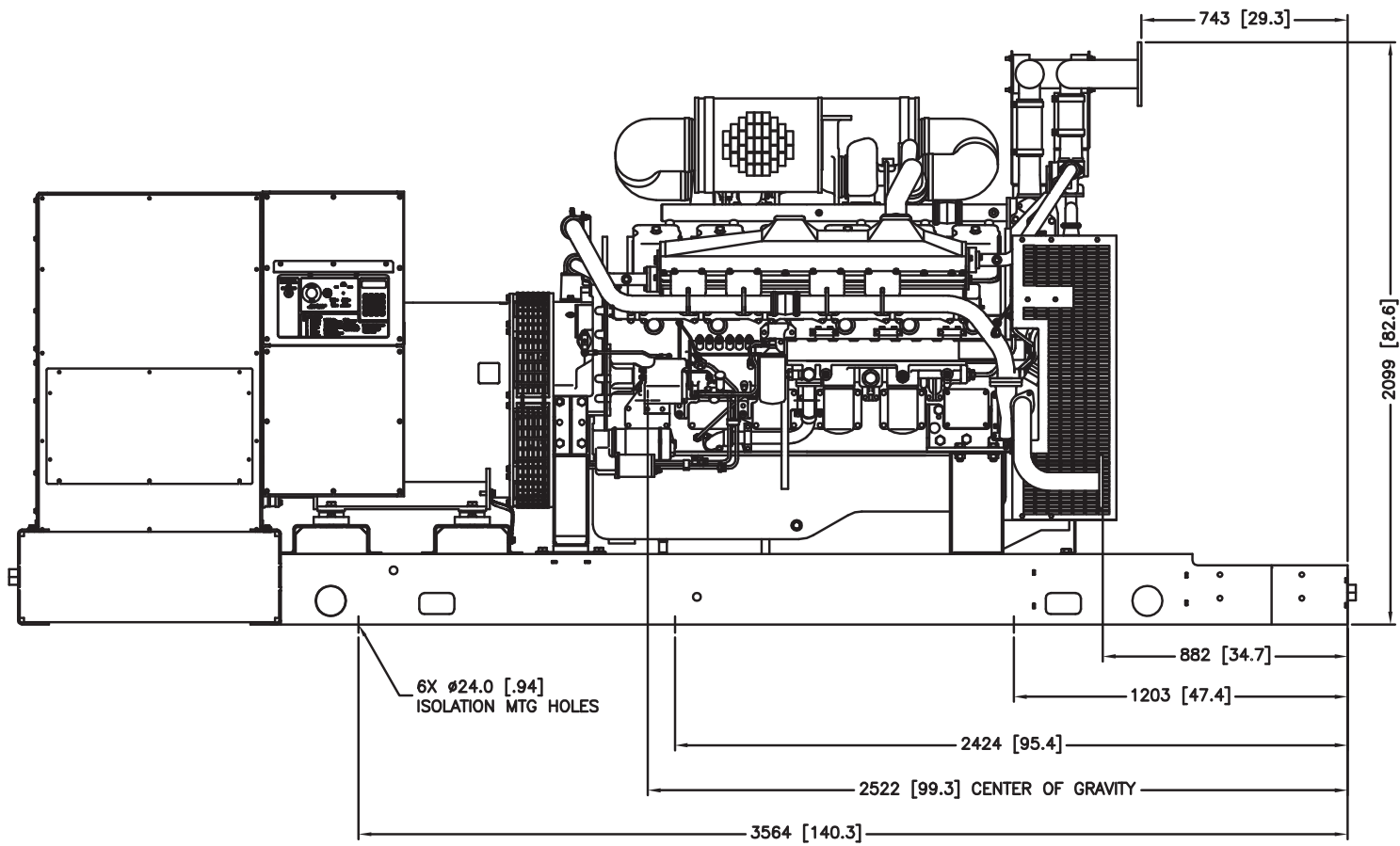
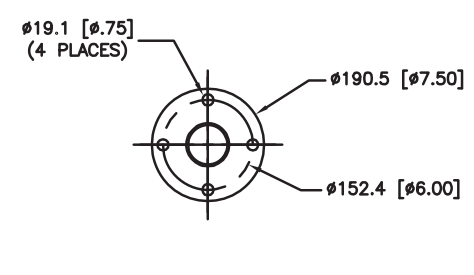
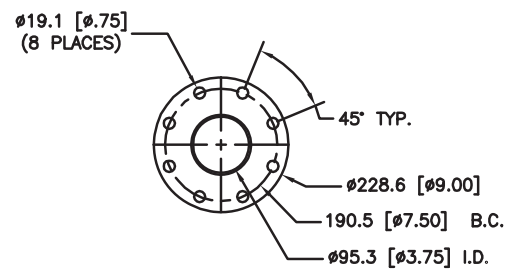
DIMENSION PRINT
750/850RE0ZMD

SCALE: .1X

ADV-8207

8 | 7 | 6 | 5 | 4 | 3 | 2 | 1

REV	DATE	REVISION	BY
-	5-2-11	NEW DRAWING [80464-8]	DJV
A	6-24-11	NUMBER OF DECIMAL PLACES CORRECTED FOR ALL DIMENSIONS [91901]	KJB



GENSET WEIGHT (Kg [lbs]):
(LESS ACCESSORIES)
REMOTE RAD. MAX. (WET) 5761 [12,700]

METRIC CAD FILE

DIMENSIONS IN [] ARE INCH EQUIVALENTS.

NOTE:
DIMENSIONS NOT LISTED ON THIS SHEET,
FOR ISOLATION MOUNTING HOLES,
SUGGESTED FUEL INLET, CONDUIT ENTRY
AREAS AND BATTERY RACK LOCATIONS
SEE SHEETS 1 & 2.

750/800 MODEL 50/60 HZ
5M4032, 5M4034, 5M4036, 5M4038, 5M4166,
5M4168, 5M4276, 5M4278, 5M4280
380V, 600V ALTERNATORS
50C COOLING SYSTEM
MITSUBISHI, TIER II

APPROVALS	DATE
DJV	5-2-11
DJV	5-2-11
WRD	5-2-11

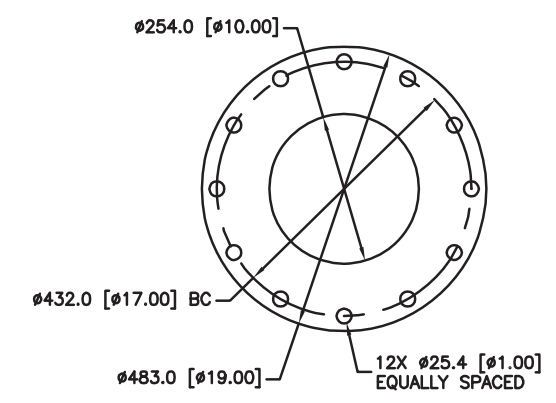
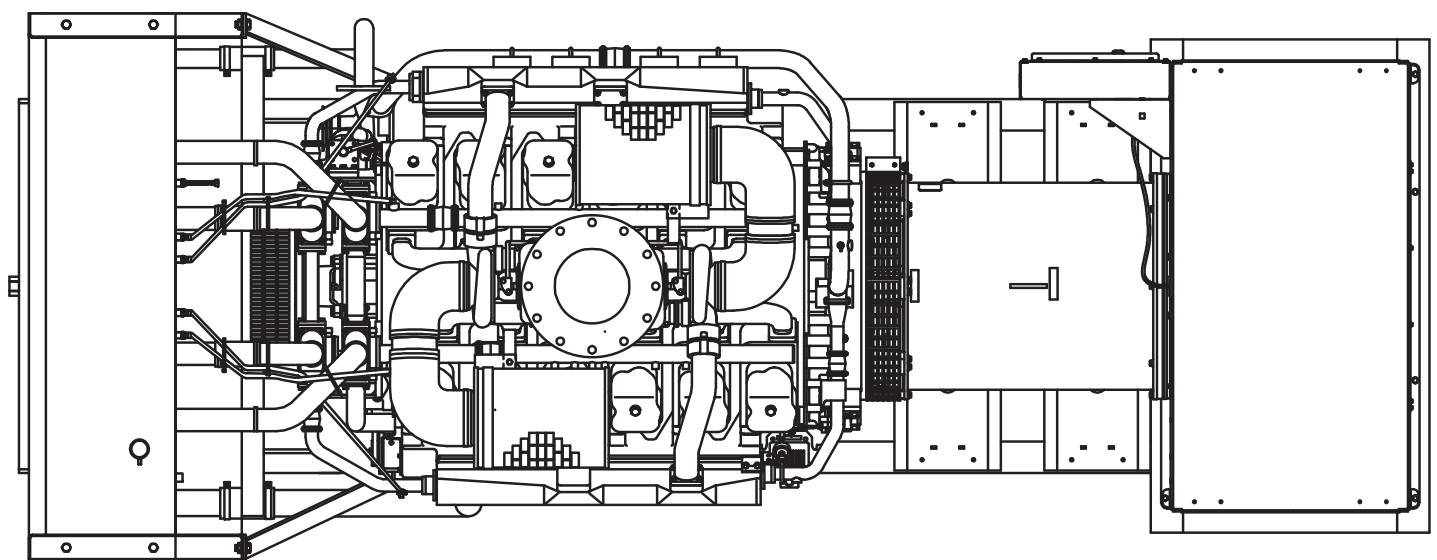
KOHLER CO.
POWER SYSTEMS, KOHLER, WI 53044 U.S.A.
THIS DRAWING IS DESIGN AND DESIGN IS KOHLER CO. PROPERTY AND
MAY NOT BE USED EXCEPT IN CONNECTION WITH KOHLER CO. WORK.
ALL RIGHTS OF DESIGN OR INVENTION ARE RESERVED.

DIMENSION PRINT
750/850REOZMD

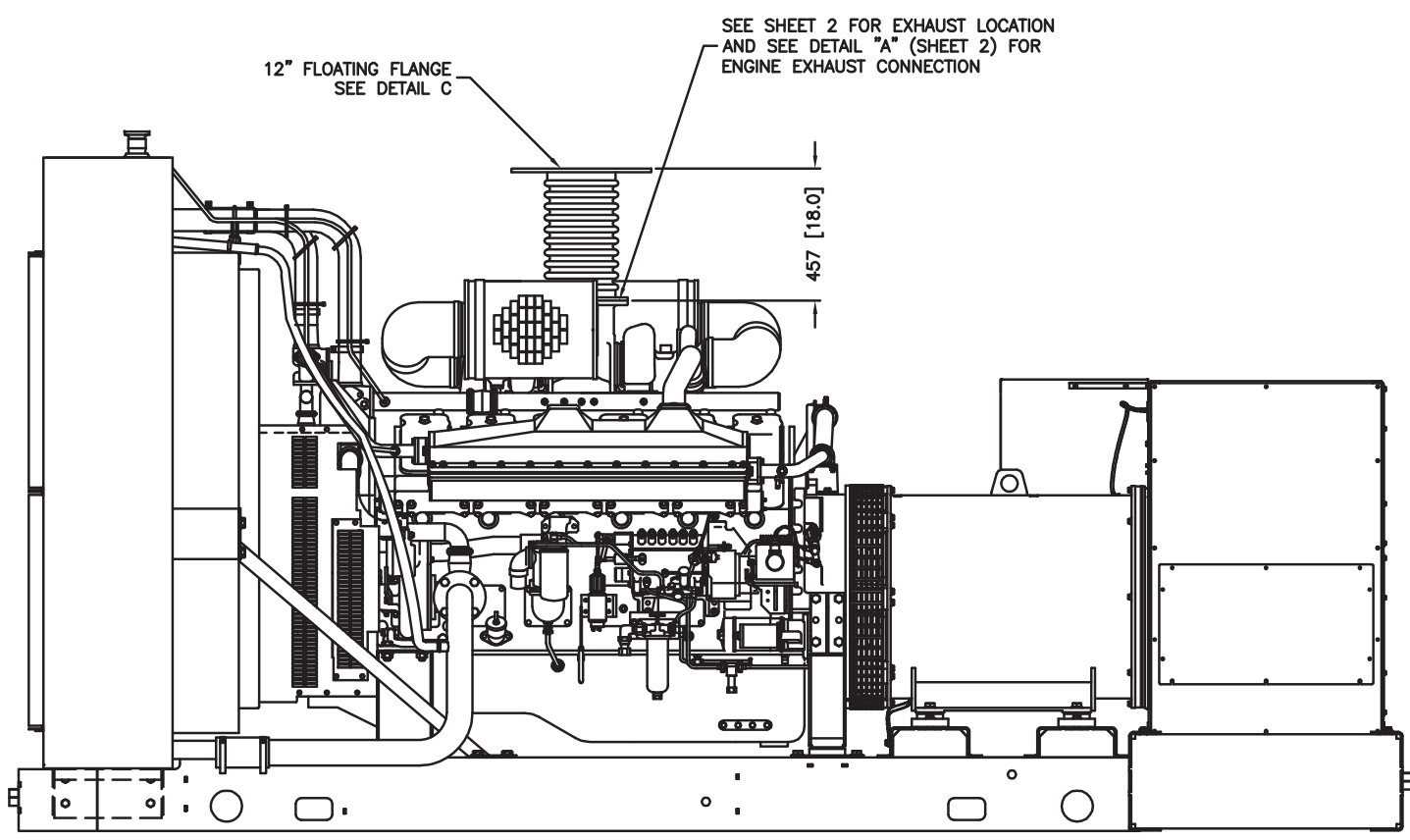
SCALE: .1X

ADV-8207

REV	DATE	REVISION	BY
-	5-2-11	NEW DRAWING [90484-8]	DJV
A	6-24-11	NUMBER OF DECIMAL PLACES CORRECTED FOR ALL DIMENSIONS [91901]	KJB



DETAIL C
12" ANSI B16.5 CLASS 150
.2 SCALE



FLEXIBLE EXHAUST

METRIC CAD FILE

DIMENSIONS IN [] ARE INCH EQUIVALENTS.

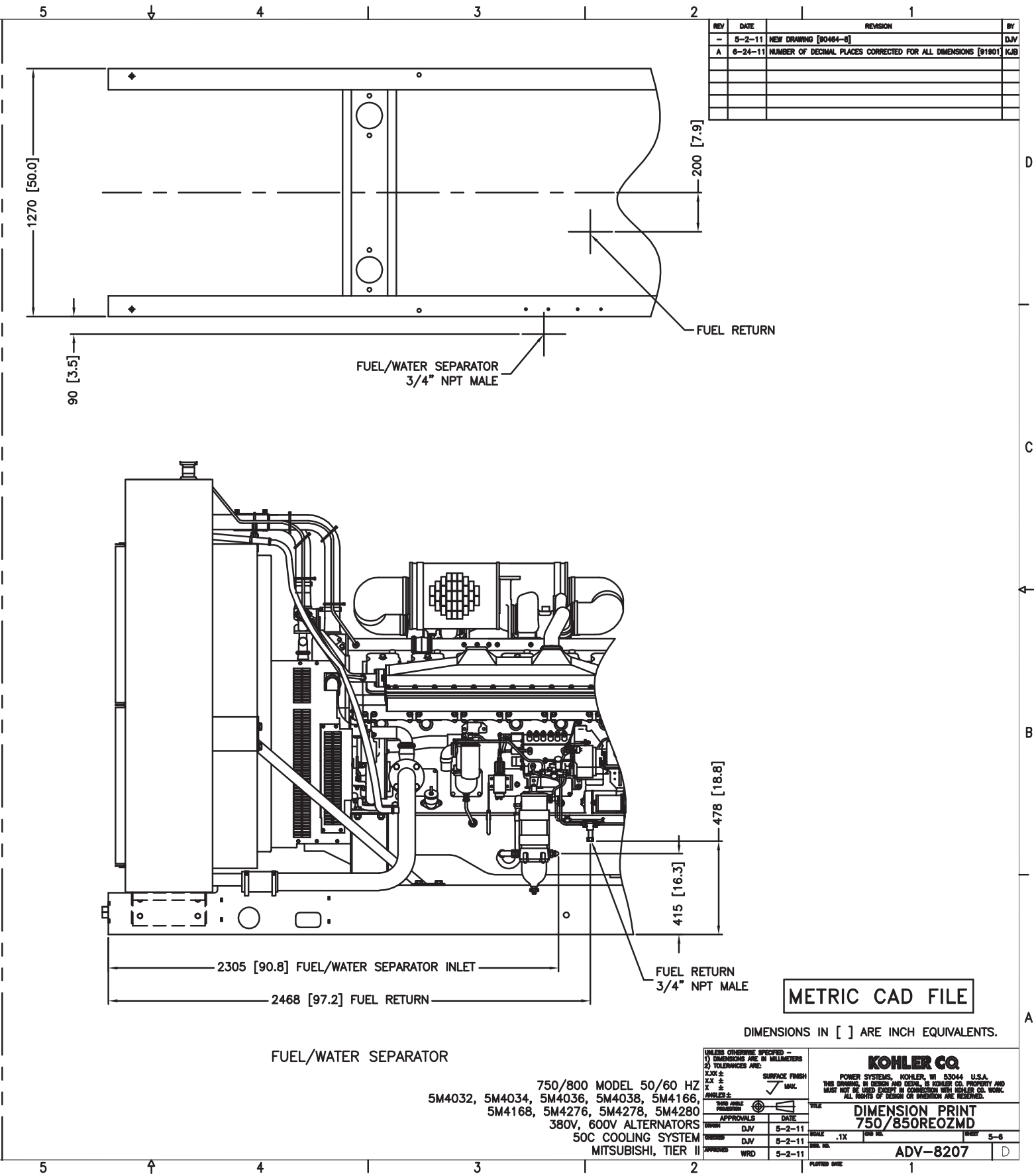
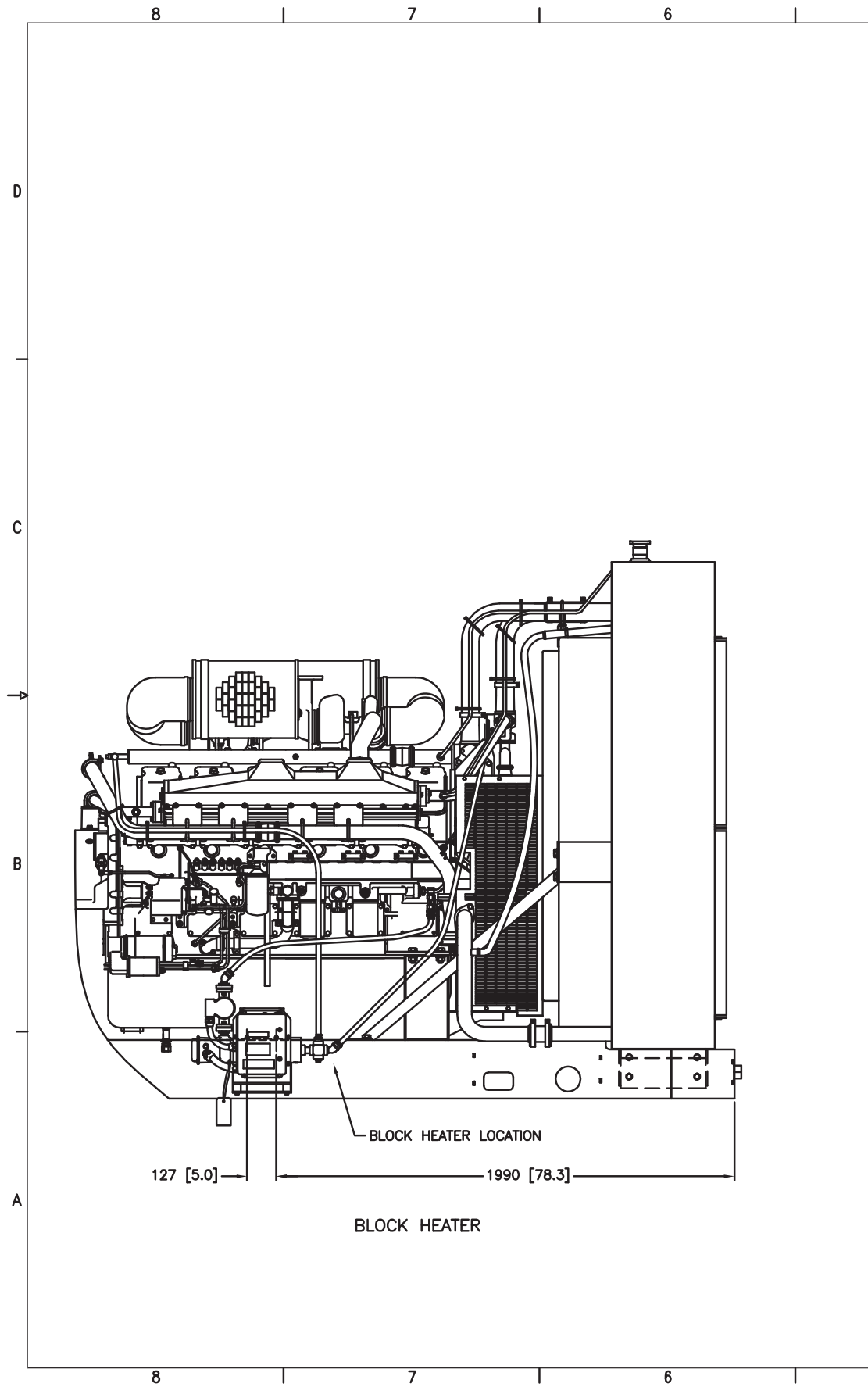
750/800 MODEL 50/60 HZ
5M4032, 5M4034, 5M4036, 5M4038, 5M4166,
5M4168, 5M4276, 5M4278, 5M4280
380V, 600V ALTERNATORS
50C COOLING SYSTEM
MITSUBISHI, TIER II

UNLESS OTHERWISE SPECIFIED - 1) DIMENSIONS ARE IN MILLIMETERS 2) TOLERANCES ARE: X.XX ± X.X ± X ± ANGLES ±	SURFACE FINISH ✓ MAX.
APPROVALS DJV DJV WRD	DATE 5-2-11 5-2-11 5-2-11

KOHLER CO.
POWER SYSTEMS, KOHLER, WI 53044 U.S.A.
THIS DRAWING, IN DESIGN AND DETAIL, IS KOHLER CO. PROPERTY AND
MAY NOT BE REPRODUCED OR COPIED IN CONNECTION WITH KOHLER CO. WORK.
ALL RIGHTS OF DESIGN OR INVENTION ARE RESERVED.

DIMENSION PRINT
750/850RE0ZMD

SCALE: .1X 100 MM
SHEET: 4-8
ADV-8207



REV	DATE	REVISION	BY
-	5-2-11	NEW DRAWING [90464-8]	DJV
A	6-24-11	NUMBER OF DECIMAL PLACES CORRECTED FOR ALL DIMENSIONS [91901]	KJB

127 [5.0] 1990 [78.3]

BLOCK HEATER LOCATION

BLOCK HEATER

90 [3.5]

1270 [50.0]

200 [7.9]

FUEL/WATER SEPARATOR
3/4" NPT MALE

FUEL RETURN

415 [16.3]

478 [18.8]

2305 [90.8] FUEL/WATER SEPARATOR INLET

2468 [97.2] FUEL RETURN

FUEL RETURN
3/4" NPT MALE

METRIC CAD FILE

DIMENSIONS IN [] ARE INCH EQUIVALENTS.

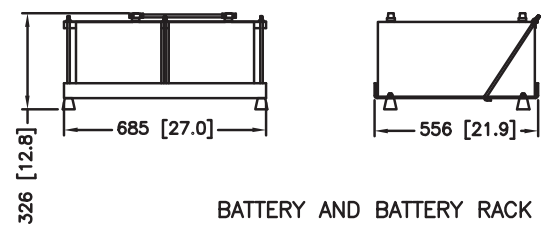
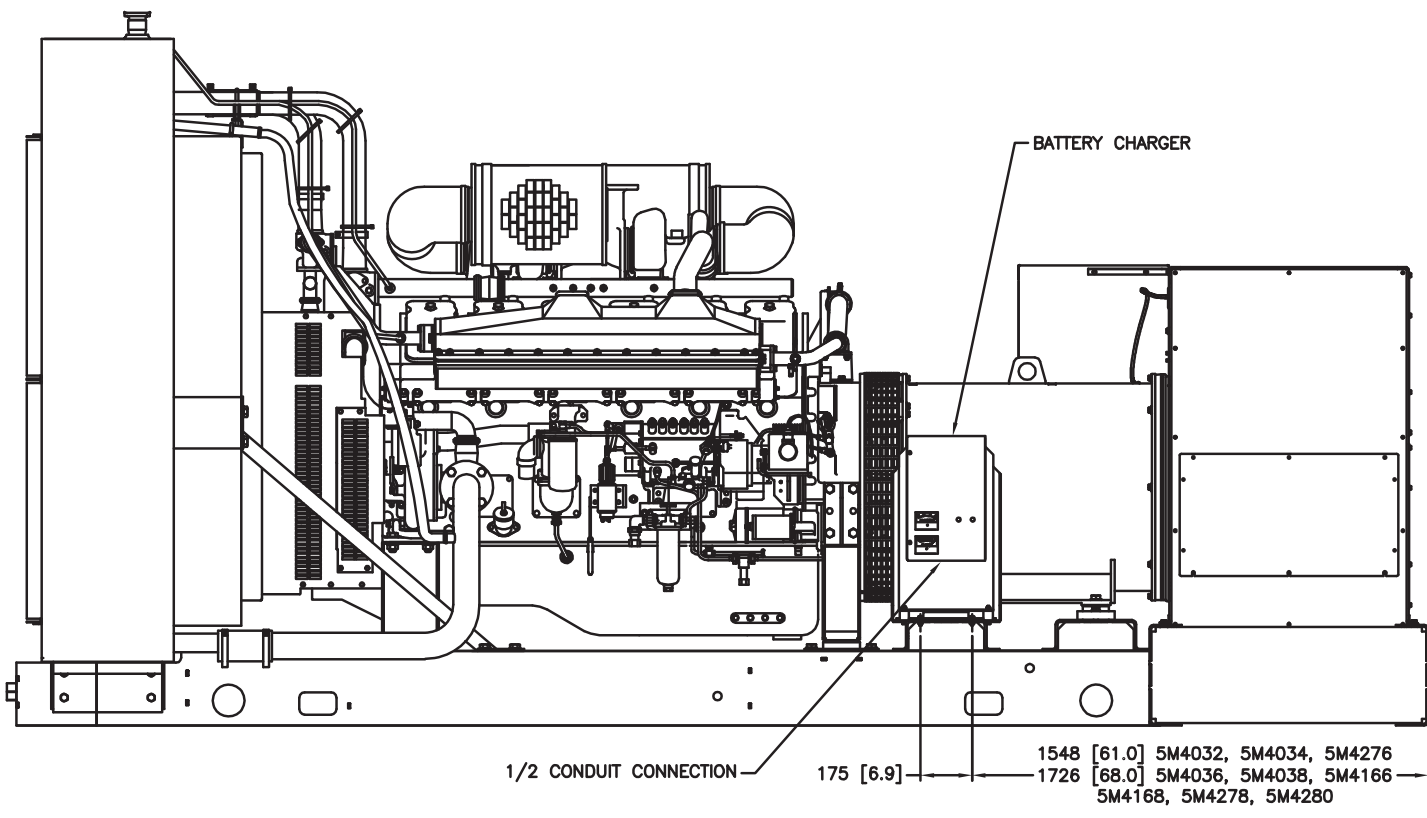
UNLESS OTHERWISE SPECIFIED -
1) DIMENSIONS ARE IN MILLIMETERS
2) TOLERANCES ARE:
X.XX ± SURFACE FINISH
X.X ± MAX.
ANGLES ±

750/800 MODEL 50/60 HZ
5M4032, 5M4034, 5M4036, 5M4038, 5M4166,
5M4168, 5M4276, 5M4278, 5M4280
380V, 600V ALTERNATORS
50C COOLING SYSTEM
MITSUBISHI, TIER II

KOHLER CO. POWER SYSTEMS, KOHLER, WI 53044 U.S.A. <small>THIS DRAWING, IN DESIGN AND DETAIL, IS KOHLER CO. PROPERTY AND MUST NOT BE USED EXCEPT IN CONNECTION WITH KOHLER CO. WORK. ALL RIGHTS OF DESIGN OR INVENTION ARE RESERVED.</small>	
DIMENSION PRINT 750/850REOZMD	
APPROVALS DRAWN: DJV CHECKED: DJV APPROVED: WRD	DATE 5-2-11 5-2-11 5-2-11
TITLE DIMENSION PRINT ADV-8207	SHEET NO. 5-8 TOTAL SHEETS 5-8

8 | 7 | 6 | 5 | 4 | 3 | 2 | 1

REV	DATE	REVISION	BY
-	5-2-11	NEW DRAWING [90464-8]	DJV
A	6-24-11	NUMBER OF DECIMAL PLACES CORRECTED FOR ALL DIMENSIONS [91001]	KJB



BATTERY AND BATTERY RACK

BATTERY CHARGER

METRIC CAD FILE

DIMENSIONS IN [] ARE INCH EQUIVALENTS.

750/800 MODEL 50/60 HZ
 5M4032, 5M4034, 5M4036, 5M4038, 5M4166,
 5M4168, 5M4276, 5M4278, 5M4280
 380V, 600V ALTERNATORS
 50C COOLING SYSTEM
 MITSUBISHI, TIER II

<small>UNLESS OTHERWISE SPECIFIED - 1) DIMENSIONS ARE IN MILLIMETERS 2) TOLERANCES ARE: .3X ± .125 .1X ± .050 .1 ± .010 ANGLES ± .5°</small>		KOHLER CO. <small>POWER SYSTEMS, KOHLER, WI 53044 U.S.A. THIS DRAWING, IN DESIGN AND DETAIL, IS KOHLER CO. PROPERTY AND SHALL NOT BE LOANED, REPRODUCED OR COPIED WITHOUT KOHLER CO. WRITING. ALL RIGHTS OF DESIGN OR INVENTION ARE RESERVED.</small>	
<small>DATE</small> 5-2-11	<small>DATE</small> 5-2-11	<small>SCALE</small> .1X	<small>REV</small> 6-8
<small>APPROVALS</small> DJV	<small>DATE</small> 5-2-11	<small>SCALE</small> .1X	<small>REV</small> 6-8
<small>APPROVALS</small> DJV	<small>DATE</small> 5-2-11	<small>SCALE</small> .1X	<small>REV</small> 6-8
<small>APPROVALS</small> WRD	<small>DATE</small> 5-2-11	<small>SCALE</small> .1X	<small>REV</small> 6-8

DIMENSION PRINT
 750/850RE0ZMD

ADV-8207

8 | 7 | 6 | 5 | 4 | 3 | 2 | 1