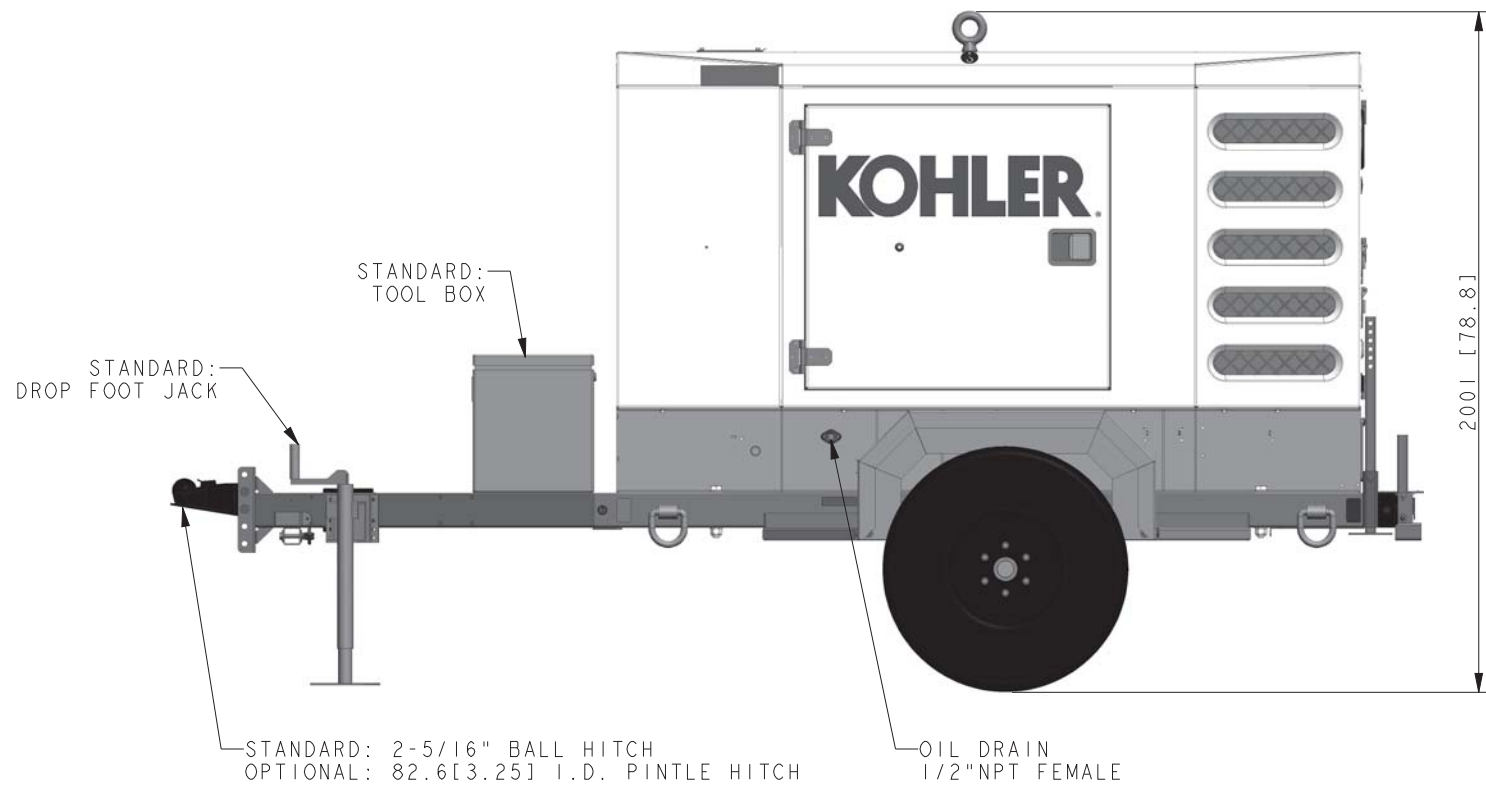


EXTERNAL LPG & NATURAL GAS FEED
1" NPT FEMALE

EXTERNAL LP FEED
3/8" NPT FEMALE

PARTIAL RIGHT SIDE VIEW

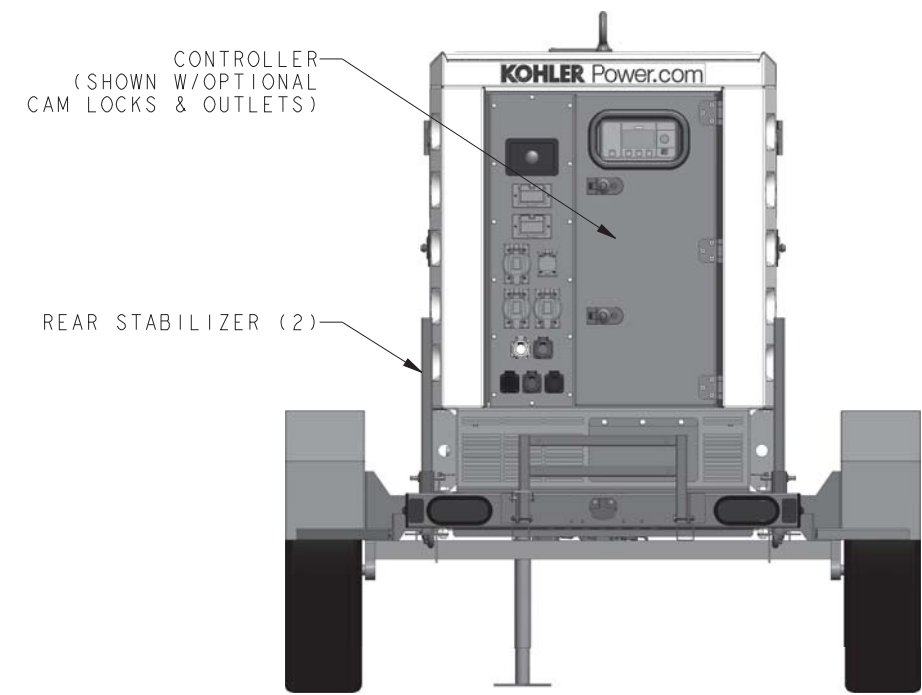


STANDARD: DROP FOOT JACK

STANDARD: TOOL BOX

STANDARD: 2-5/16" BALL HITCH
OPTIONAL: 82.6[3.25] I.D. PINTLE HITCH

OIL DRAIN
1/2"NPT FEMALE



CONTROLLER
(SHOWN W/OPTIONAL
CAM LOCKS & OUTLETS)

REAR STABILIZER (2)

ITEM	GENSET WEIGHT (WET)
GENSET, TANK & TRAILER	1677 Kg [3690 LBS]
GENSET & TRAILER	1381 Kg [3038 LBS]
GENSET	1059 Kg [2330 LBS]
TANK	296 Kg [652 LBS]
TRAILER	322 Kg [708 LBS]

REV	DATE	ON COMPOSITE DWGS. SEE PART NO. FOR REVISION LEVEL	BY
-	09-15-14	NEW DRAWING [CT93364]	VPP

APPROVALS	DATE
DRAWN VPP	09-15-14
CHECKED RAM	09-15-14
APPROVED RAM	09-15-14

UNLESS OTHERWISE SPECIFIED -
 1) DIMENSIONS ARE IN MILLIMETERS
 2) TOLERANCES ARE:
 X.XX ± 0.25
 X.X ± 1.0
 X ± 1.5
 ANGLES ± 0° 30' MAX.

THIRD ANGLE PROJECTION

COHLEK CO. METRIC PRO-E
 POWER SYSTEMS, KOHLER, WI 53044 U.S.A.
 THIS DRAWING IN DESIGN AND DETAIL IS KOHLER CO. PROPERTY AND MUST NOT BE USED EXCEPT IN CONNECTION WITH KOHLER CO. WORK. ALL RIGHTS OF DESIGN OR INVENTION ARE RESERVED.

TITLE: **DIMENSIONED PRINT**

SCALE 0.09 CAD NO. SHEET 1 of 2
 DWG NO. **ADV-8678** **D**

30REZGT

