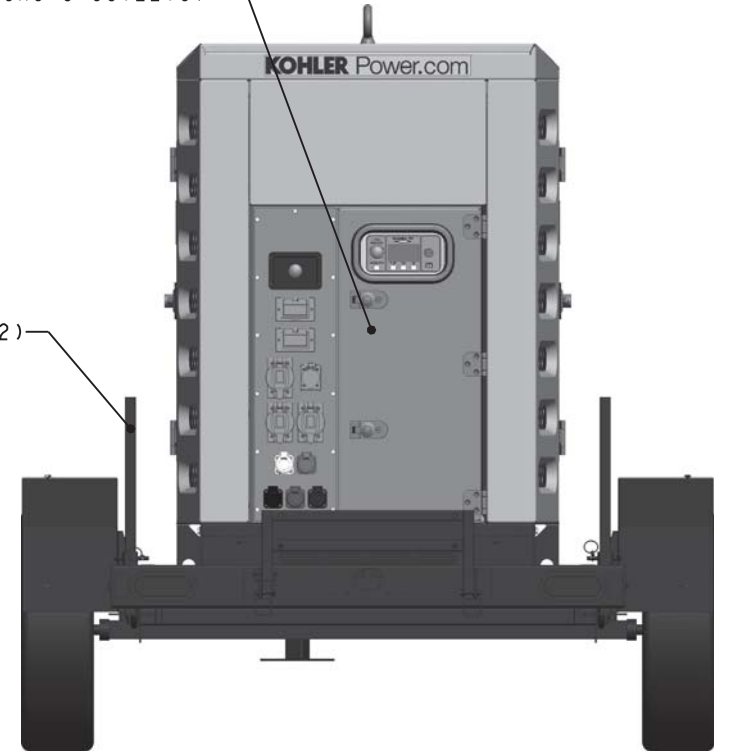


CONTROLLER W/ E-STOP
(SHOWN W/OPTIONAL
CAM LOCKS & OUTLETS)

REAR STABILIZER (2)



WEIGHT
 GENSET(WET): 1792Kg [3950LBS]
 TANK ASSY (EMPTY): 778Kg [1716LBS]
 TANK ASSY (FULL): 1301Kg [2868LBS]
 TRAILER: 655Kg [1444LBS]

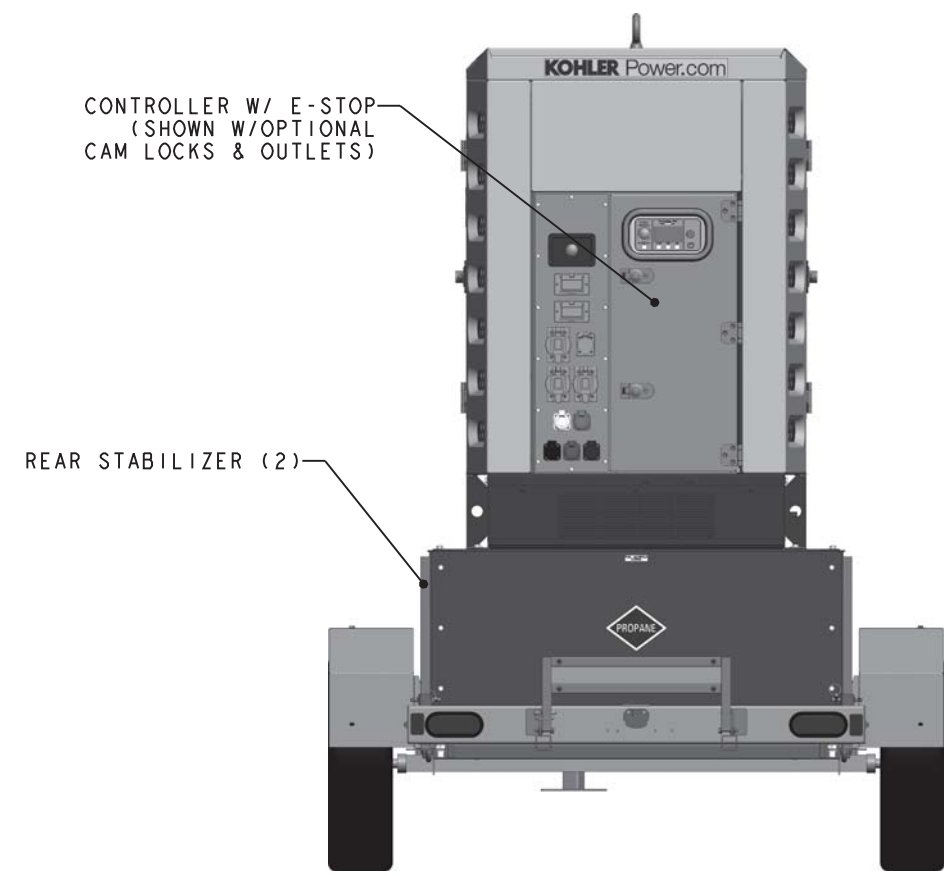
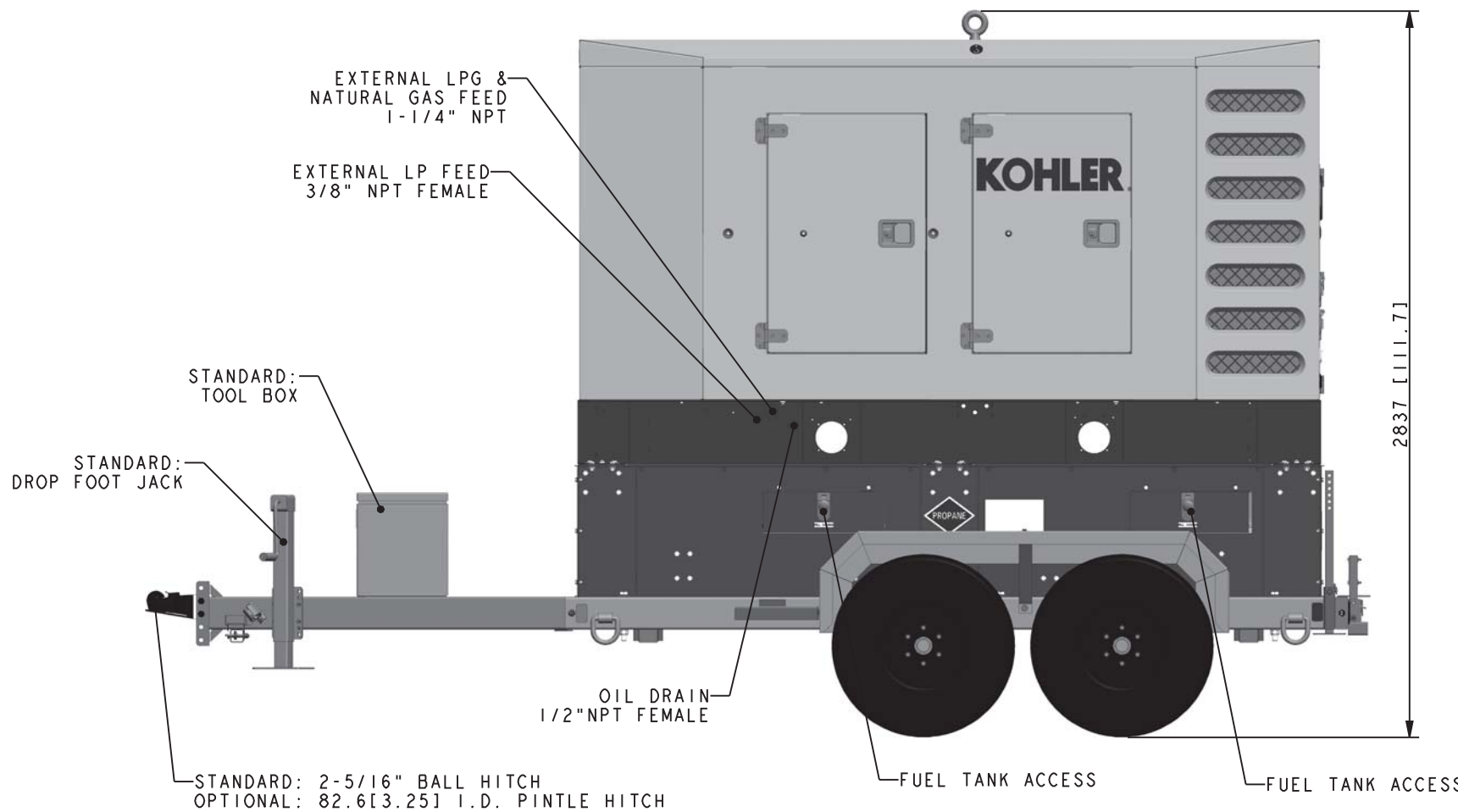
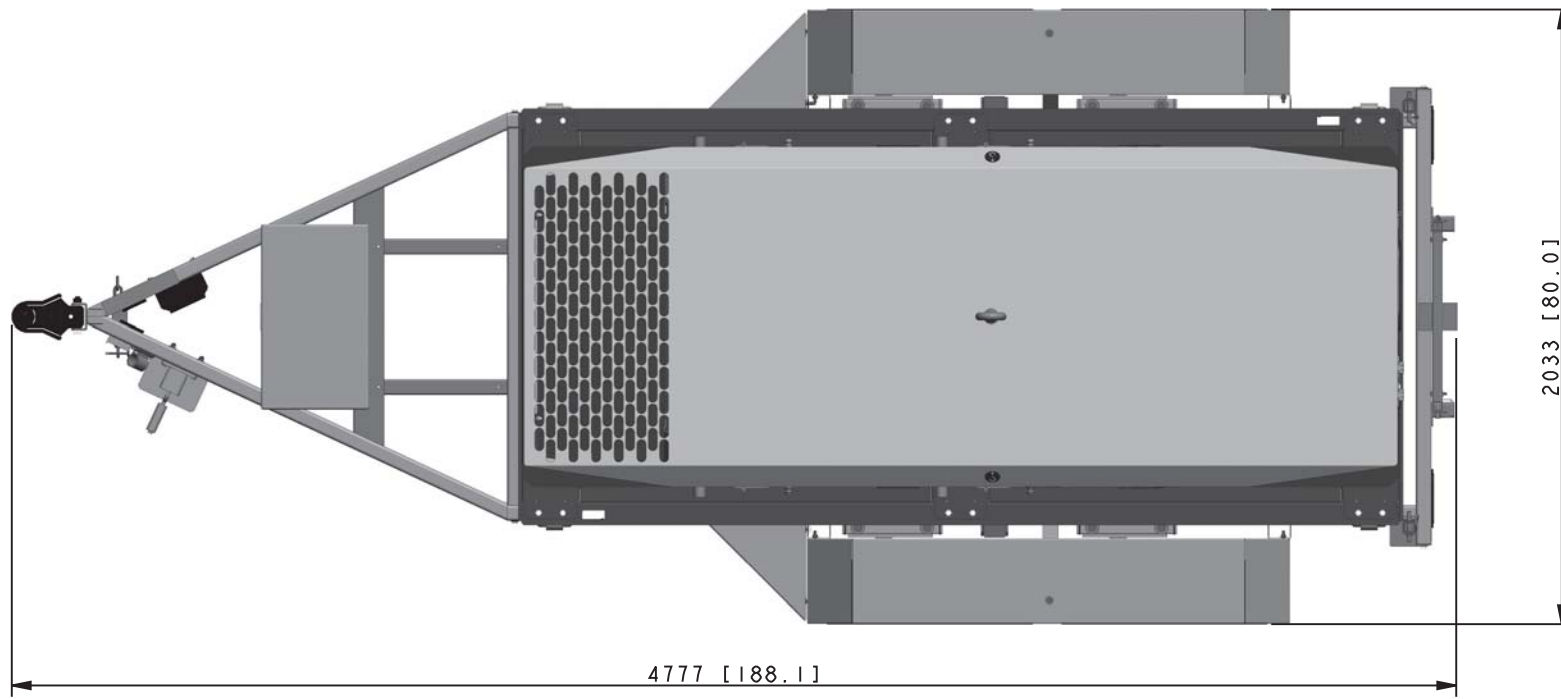
| REV | DATE | ON COMPOSITE DWGS. SEE PART NO. FOR REVISION LEVEL | BY |
|-----|---------|--|-----|
| - | 1-15-14 | NEW DRAWING [CT69949] | MRS |

| APPROVALS | DATE |
|--------------|---------|
| DRAWN MRS | 1-15-14 |
| CHECKED AWK | 1-15-14 |
| APPROVED CDK | 1-15-14 |

KOHLER CO. METRIC PRO-E
 POWER SYSTEMS, KOHLER, WI 53044 U.S.A.
 THIS DRAWING IN DESIGN AND DETAIL IS KOHLER CO.
 PROPERTY AND MUST NOT BE USED EXCEPT IN
 CONNECTION WITH KOHLER CO. WORK. ALL RIGHTS OF
 DESIGN OR INVENTION ARE RESERVED.

TITLE
DIMENSION PRINT

SCALE 0.08 CAD NO. SHEET 1 of 2
 DWG NO. **ADV-8526** D



| REV | DATE | ON COMPOSITE DWGS. SEE PART NO. FOR REVISION LEVEL | BY |
|---|---------|--|-----|
| - | 1-15-14 | NEW DRAWING [CT69949] | MRS |
| <small>UNLESS OTHERWISE SPECIFIED - 1) DIMENSIONS ARE IN MILLIMETERS 2) TOLERANCES ARE:</small> | | | |
| <small>X.XX ± 0.25 X.X ± 1.0 X ± 1.5 ANGLES ± 0° 30'</small> | | | |
| <small>THIRD ANGLE PROJECTION</small> | | | |
| APPROVALS | | DATE | |
| DRAWN MRS | | 1-15-14 | |
| CHECKED AWK | | 1-15-14 | |
| APPROVED CDK | | 1-15-14 | |

KOHLER CO. METRIC PRO-E
POWER SYSTEMS, KOHLER, WI 53044 U.S.A.
THIS DRAWING IN DESIGN AND DETAIL IS KOHLER CO. PROPERTY AND MUST NOT BE USED EXCEPT IN CONNECTION WITH KOHLER CO. WORK. ALL RIGHTS OF DESIGN OR INVENTION ARE RESERVED.

TITLE
DIMENSION PRINT

SCALE 0.09 CAD NO. SHEET 2 of 2
DWG NO. **ADV-8526** D