



GeneratorJoe

GENERATORJOE LIGHT TOWER RACK SYSTEM INSTRUCTIONS

GeneratorJoe

4723 Muirfield Court
Santa Rosa, CA 95405

Phone: 707-539-9003

Fax: 707 539-5212

Email: sales@generatorjoe.NET

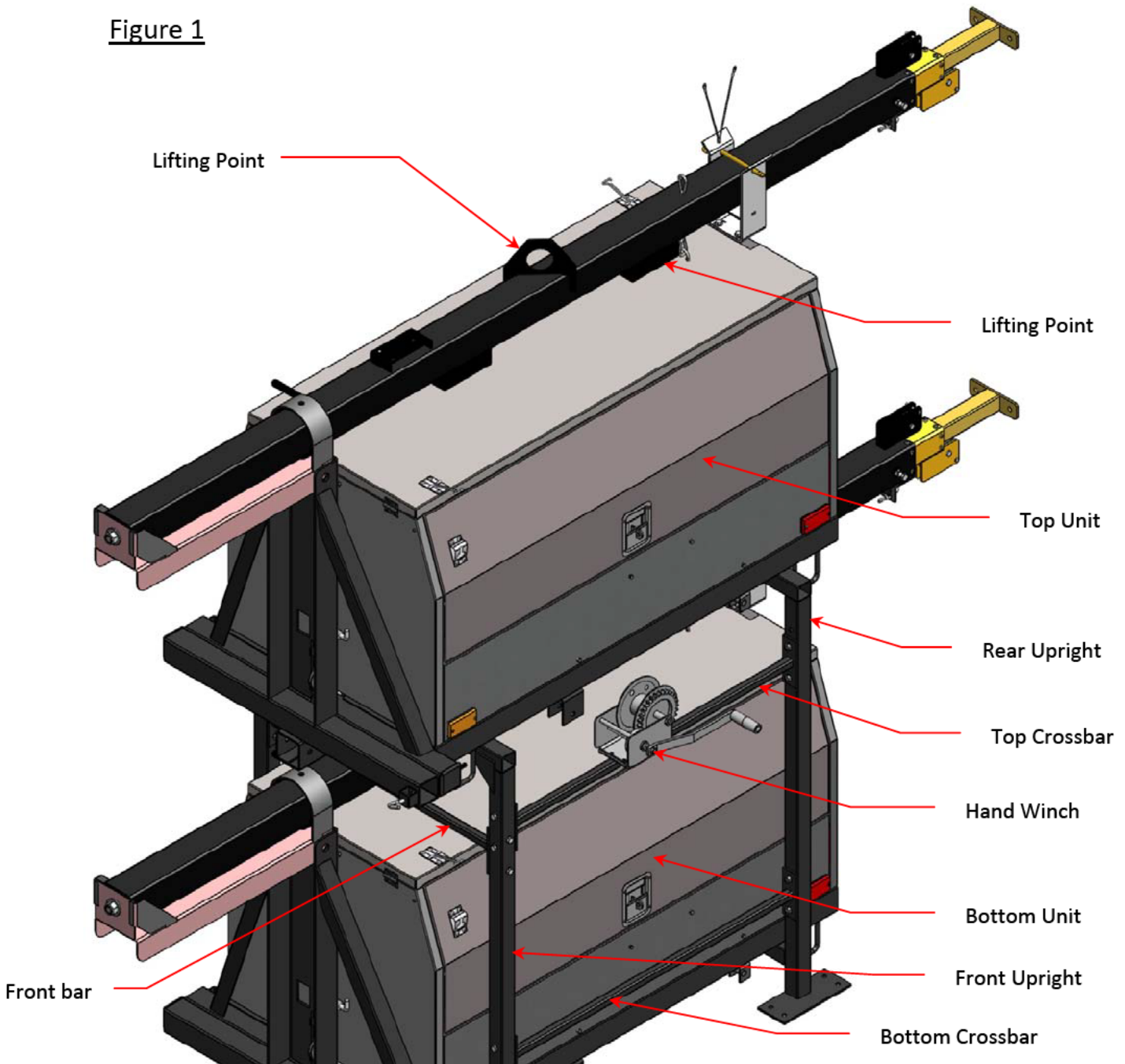
Web: www.generatorjoe.net



A) REMOVING TOP UNIT

1. Remove hand winch from rack by removing plastic wrapping
2. **Warning: Secure top unit before removing hardware at either the lifting hook, or fork lift slots**
3. Remove hardware from frame & lift top unit off rack

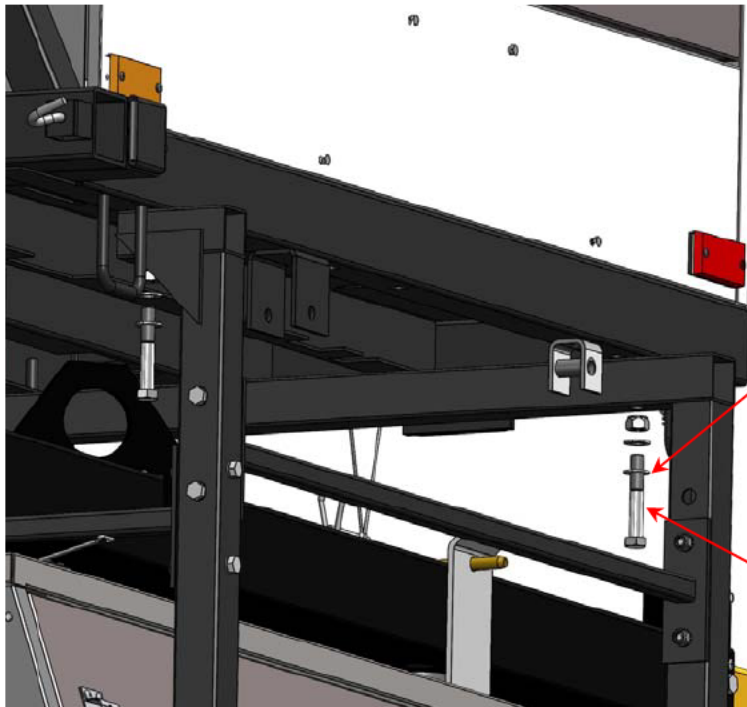
Figure 1





GeneratorJoe

Figure 2



Hardware:

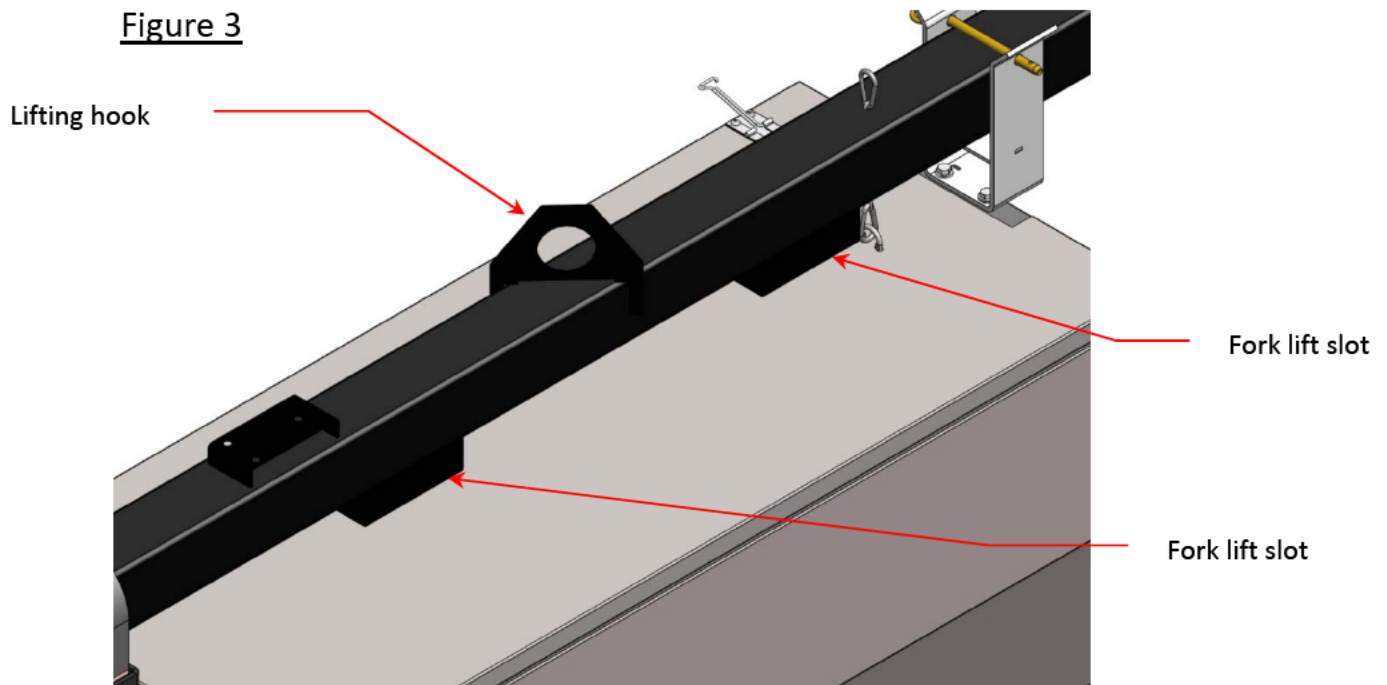
105801-004 – M14-2.0x90mm bolt

105807-001 – M14-2.0 lock nut

106006-001 – M14 Flat Washer

Remove hardware from all four corners using a 21mm socket, or wrench

Figure 3





B) REMOVING CROSSBARS

1. Remove two top crossbars from rack
2. **Warning: Secure bottom unit using lifting points before removing front bar**
3. Remove front bar from rack
4. Remove two bottom crossbars from rack

Figure 4

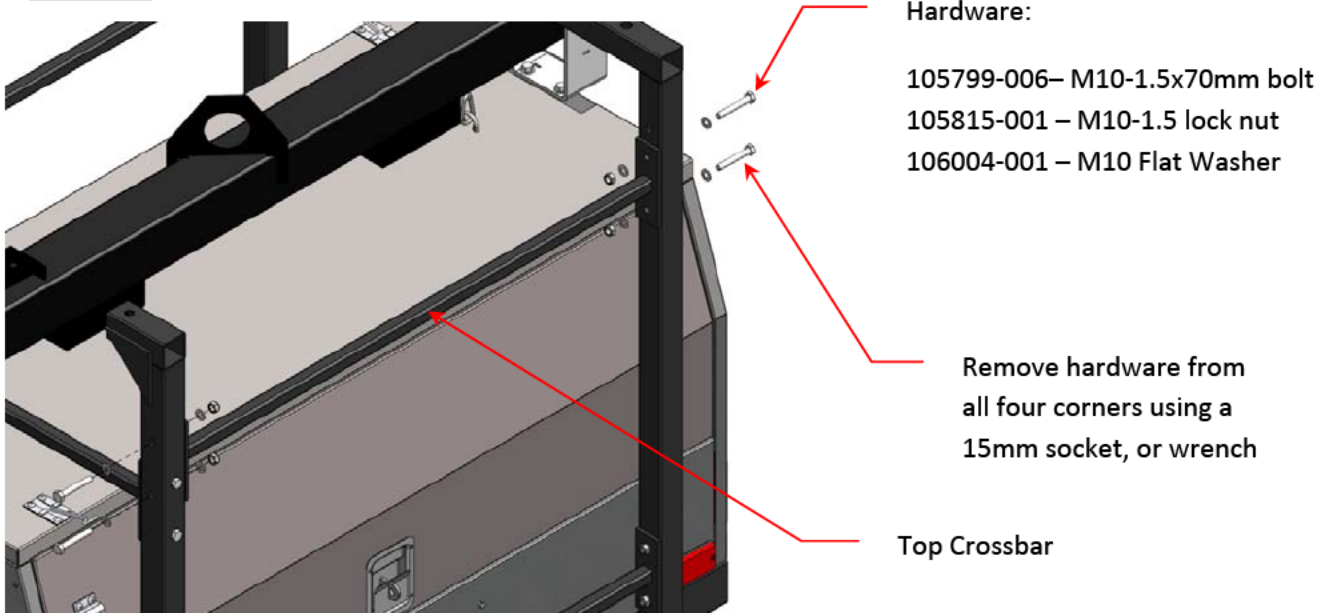


Figure 5

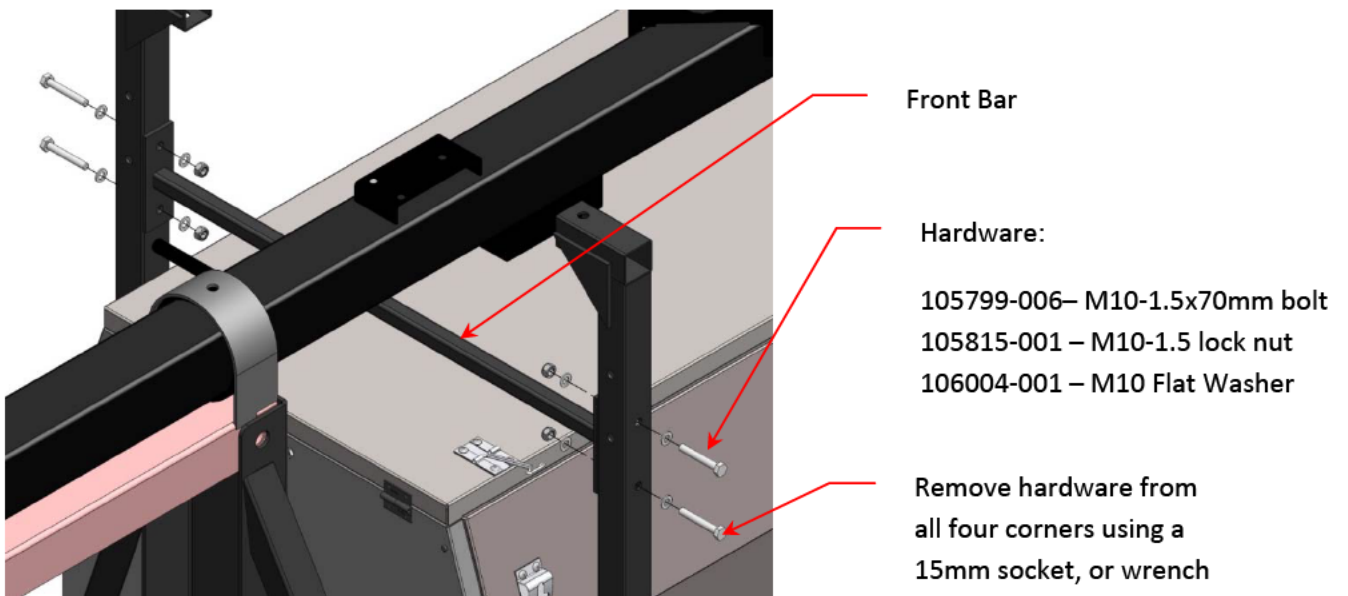
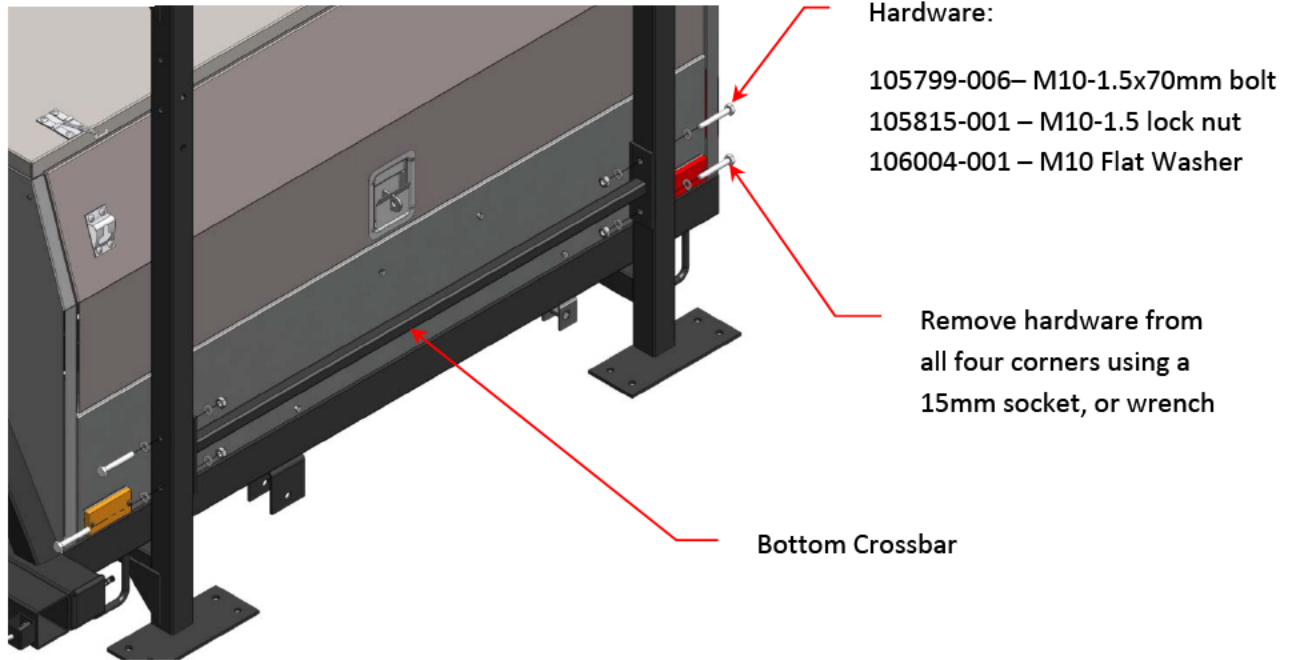




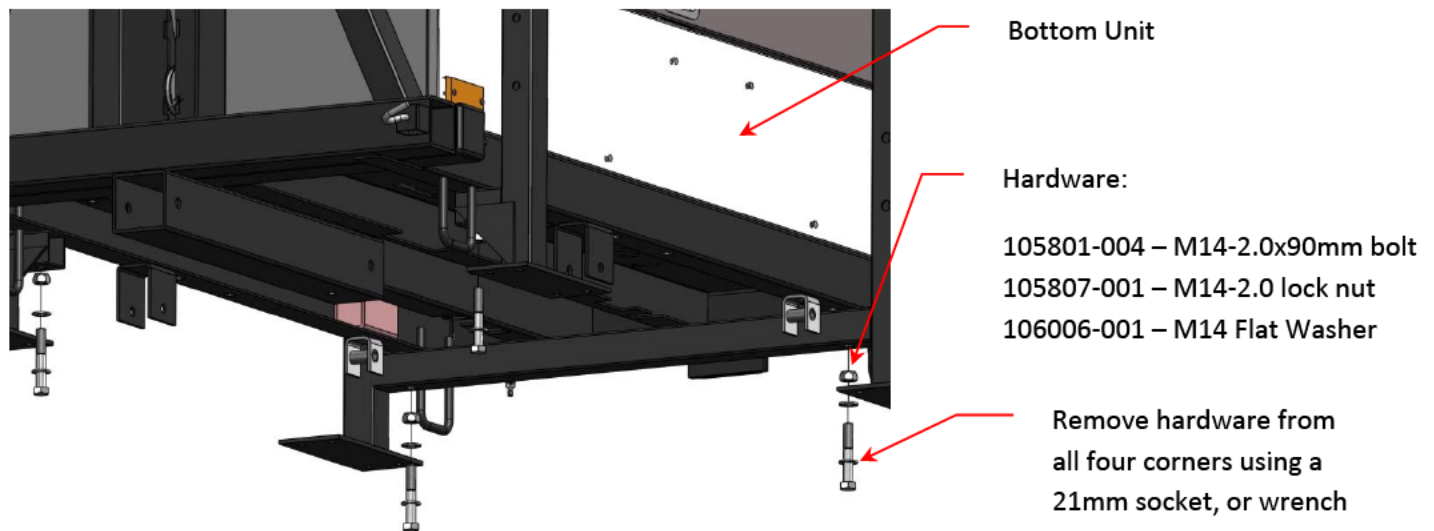
Figure 6



C) REMOVING FRAME UPRIGHTS

1. With unit still secure remove hardware from frame
2. Remove frame uprights

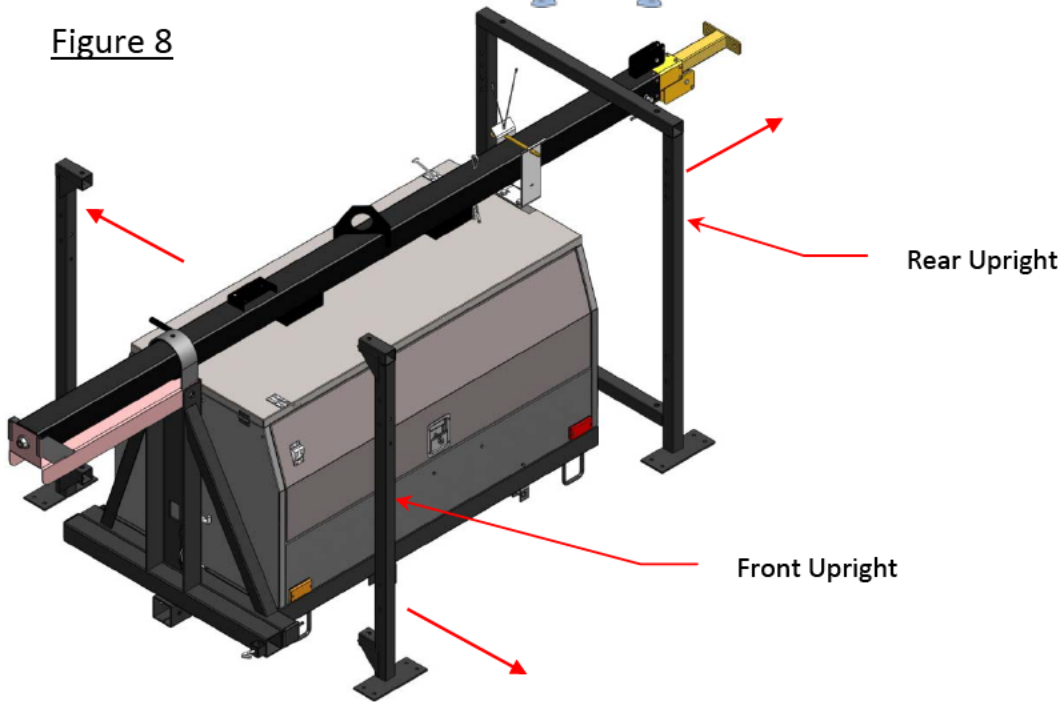
Figure 7





Generator Joe

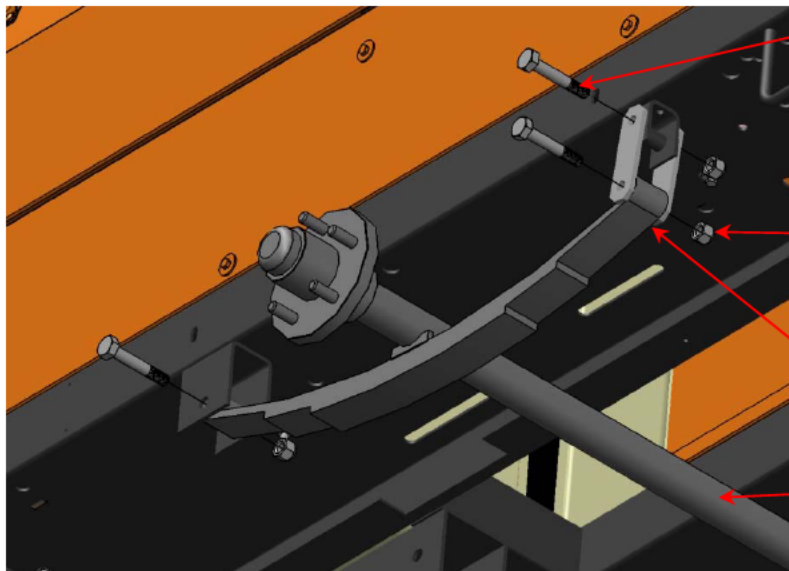
Figure 8



D) INSTALLING AXLE

1. Mount leaf spring axle to frame
2. Mount Tires to axle
3. Mount fenders

Figure 9



Hardware:

200109 – 9/16" -18x3" bolt

200110 – 9/16" -18 nut

Install hardware in all four corners using a 13/16" & 7/8" socket, or wrench

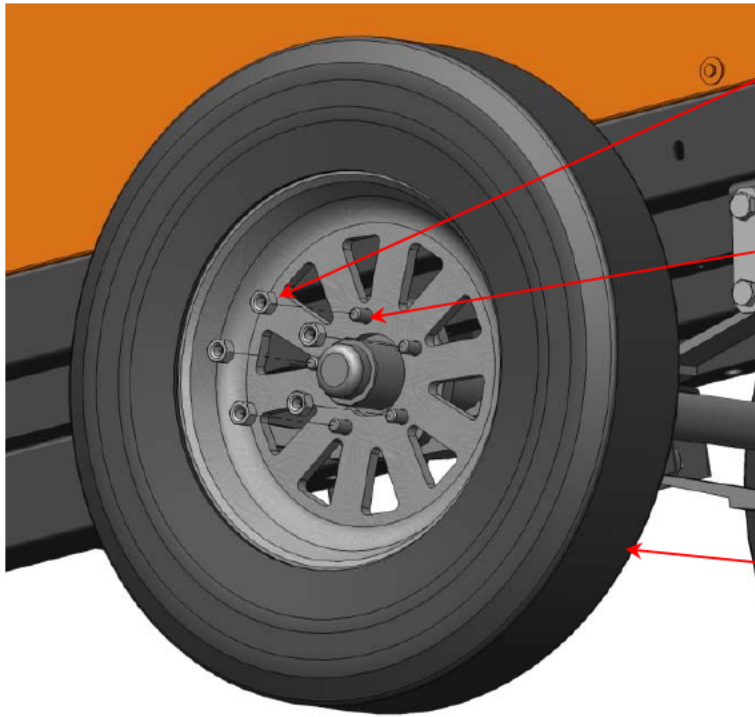
Axle rear

Axle: 200100



GeneratorJoe

Figure 10



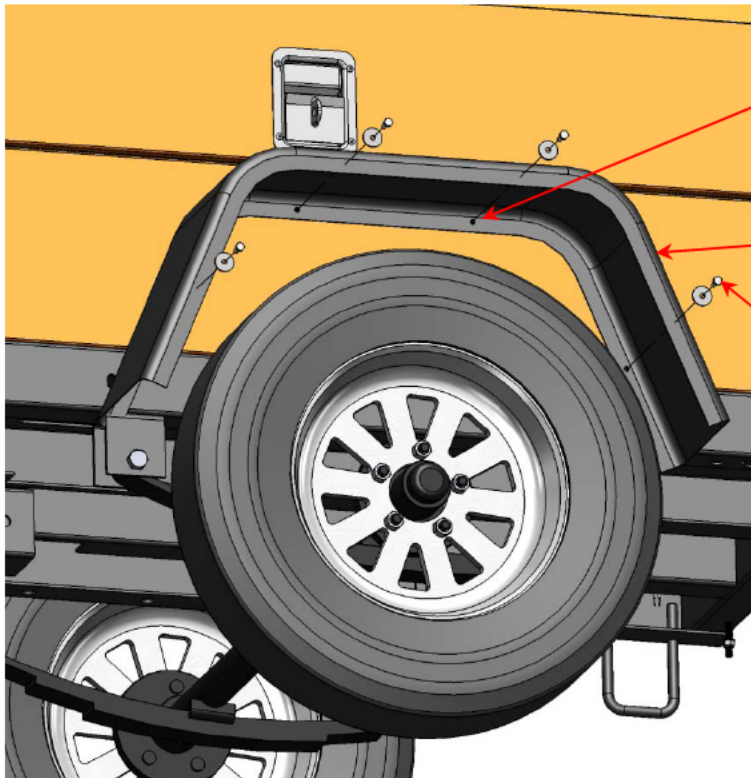
Hardware:

101323-001- 1/2"-20 Cone nut

Install hardware on all 5 studs in a star pattern using a 3/4" torque wrench

Tire: 202161

Figure 11



Install hardware into threaded inserts on side panel

Fender: 101842-003P2

Hardware:

105797-001 – M6-1.0x20mm bolt

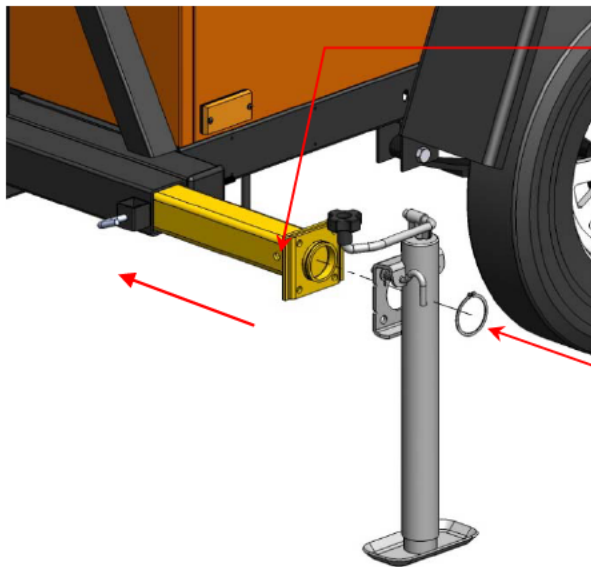
106012-001 – M6 fender washer



Generator Joe

1. Install outriggers to frame
2. Install Drawbar assembly to Frame
3. Install first tower cable to manual winch
4. Anchor & connect tail light harness

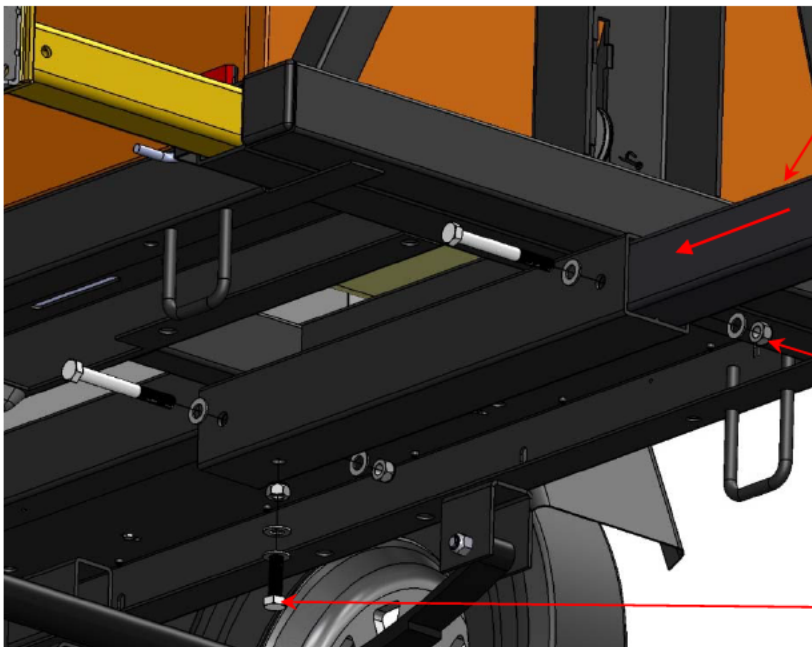
Figure 12



Once Jack is installed slide 105694-001 outrigger until the spring pin snaps into existing hole

Install 102919-003 snap ring to outrigger to hold 100143-001 medium top wind jack

Figure 13



Install Drawbar assembly in the receiving tube on the frame and use a 21mm socket, or wrench for mounting bolts

Hardware:

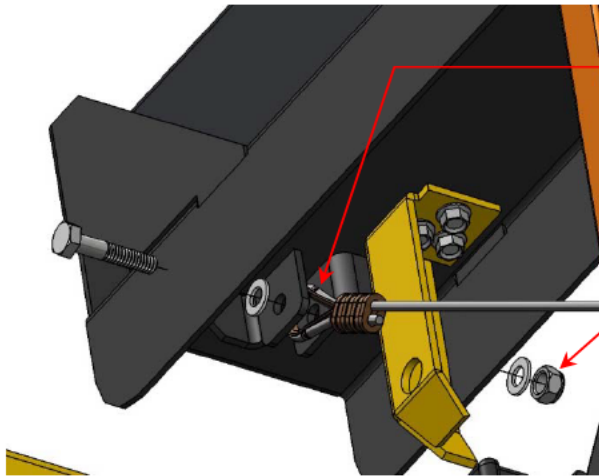
- 105801-002 – M14-2.0x130mm bolt
- 105807-001 – M14-2.0 lock nut
- 106006-001 – M14 flat washer

105801-001 – M14-2.0x40mm bolt



Generator Joe

Figure 14



Connect 101987-001 1/4" Steel cable to tower swivel base using a 15mm socket, or wrench

Hardware:

- 105799-004 – M10-1.5x50mm bolt
- 105815-001 – M10-1.5 lock nut
- 106004-001 – M10 flat washer

Figure 15

Attaching Steel Cable to Drum:

Pass the cable from the inside of the drum through one of the dimpled holes in the outer plate. Loop the cable around the drum bearing, under itself, and leave 1" of cable extending past the clamp location. Tighten the clamp nuts to approximately 2 ft-lbs.

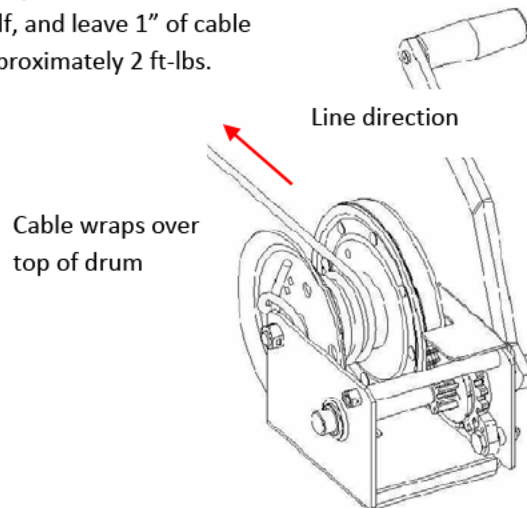
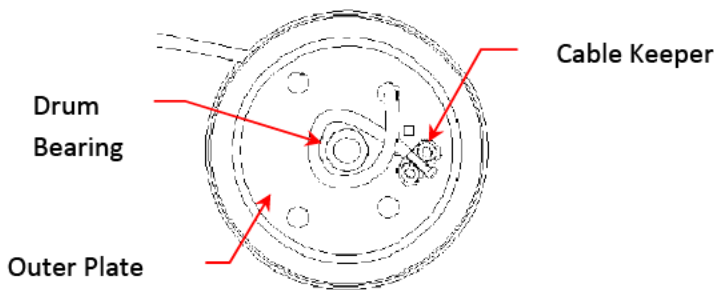


Illustration only. Do not remove drum to install cable, or rope

Attaching the handle:

Assemble the handle onto the flatted input shaft end. Tighten the 1/2"-13 locknut against handle and torque to 22-25 ft-lbs. Do not over torque. Do not adjust the double locknuts on the long end of the input shaft.

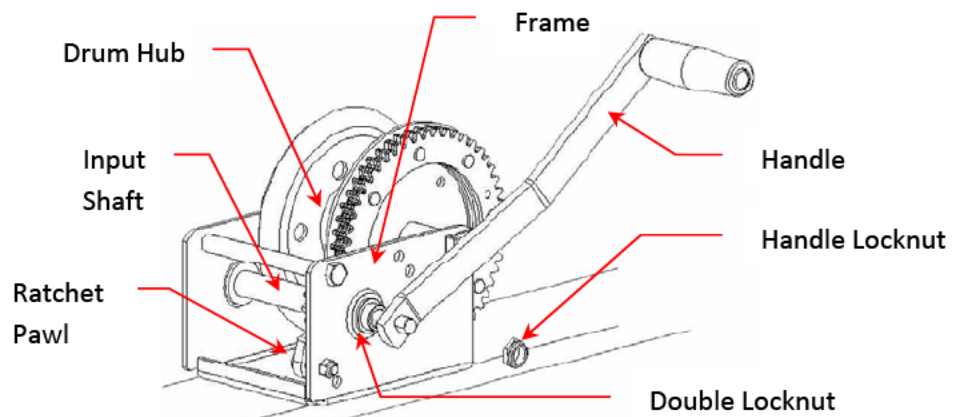
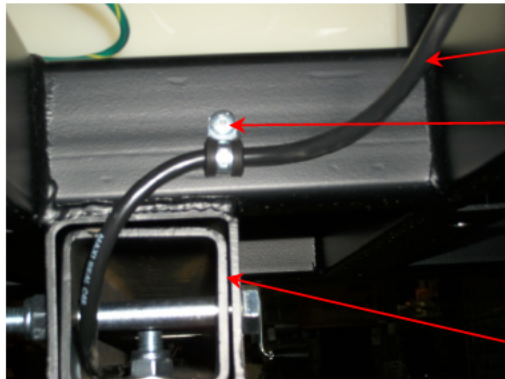




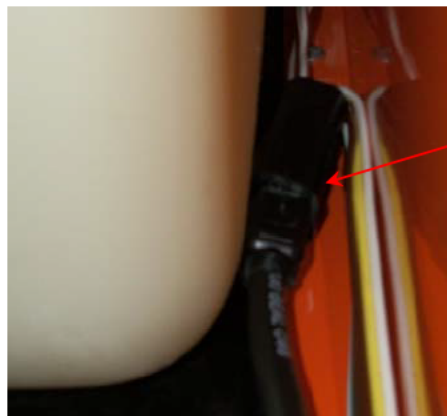
Figure 16



105061-003 Tail light harness

Anchor harness to frame using 101752-001 #6 "P"-clamp & 104605-001 Steel rivet. A 107154-001 Self-drilling screw can be used in-place of the rivet

Drawbar rear

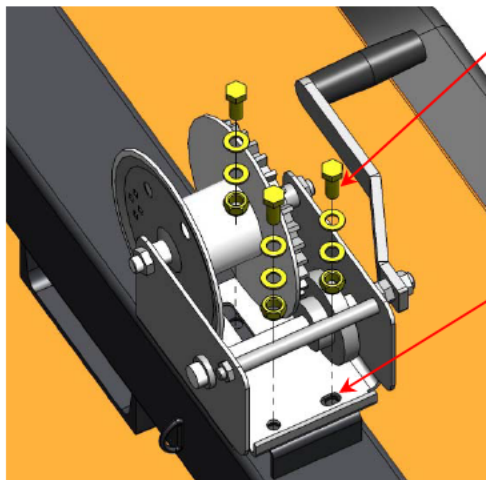


Attach drawbar harness to trailer harness located inside the trailer body next to the fuel tank

F) INSTALLING TOWER WINCH

1. Mount Winch to tower
2. Attach second steel cable to tower winch

Figure 17



Hardware:

105799-004 – M10-1.5x25mm bolt

105815-001 – M10-1.5 lock nut

106004-001 – M10 flat washer

Install winch to tower using a 15mm socket, or wrench



Generator Joe

Figure 18

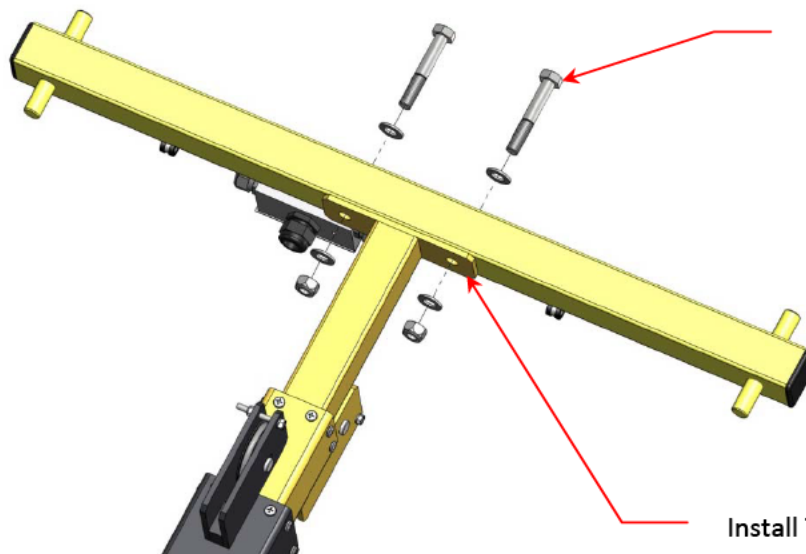


Attach 106702-001 steel cable to the winch on tower. See figure 15 for installation instructions. Other side of cable is pre-installed to tower.

G) INSTALLING TOWER LIGHTS

1. Mount T-bar to tower
2. Mount Lights to Tower T-bar
3. Wire Lights & coil cord in junction box

Figure 19



Hardware:

105801-004 – M14-2.0x90mm bolt

105807-001 – M14-2.0 lock nut

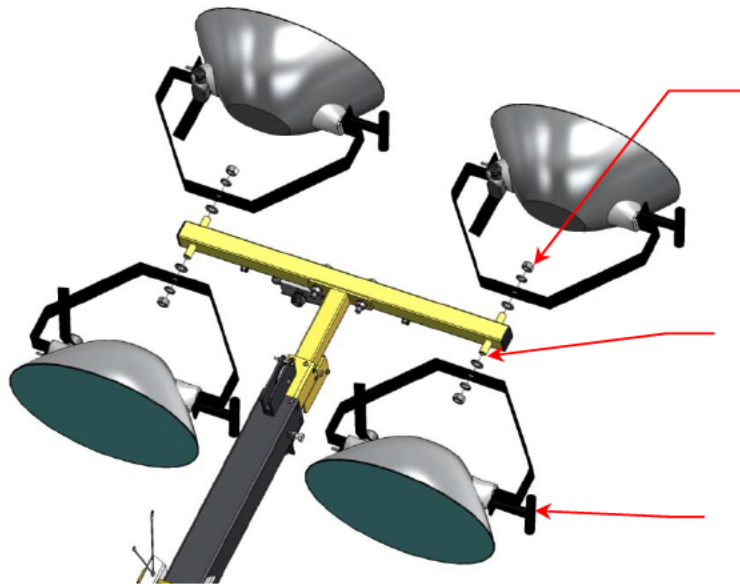
106006-001 – M14 flat washer

Install T-bar to tower using a 21mm socket, or wrench.



GeneratorJoe

Figure 20



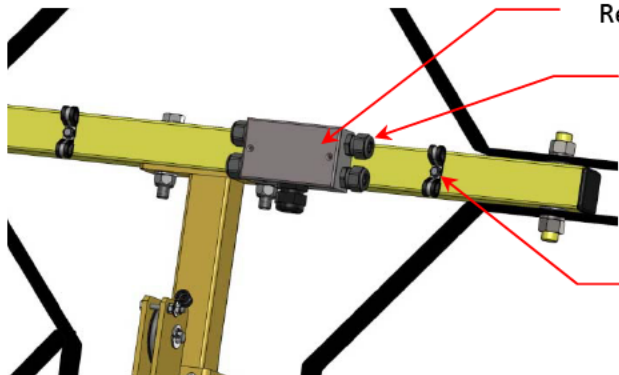
Hardware:

- 106046-002 – M18-2.5 hex nut
- 106048-001 – M18-2.0 split washer
- 106047-001 – M18 flat washer

Install lights to T-bar using a 30mm socket, or wrench. Install flat washer in-between T-bar & light fixture

Install lights with handle facing away from the unit and wires facing towards the unit

Figure 21



Remove junction box cover

Route wires through "P"-clamps on T-bar & strain reliefs on the side of the junction box

Use 107154-001 self drilling screw to anchor the 101752-001 "P"-clamps

See Figure 22 for appropriate light connections

Use 106998-001 push-in connectors to connect appropriate wires from coil cord & lights

Use 107661-001 push-in connector to connect ground wires from lights and junction box.

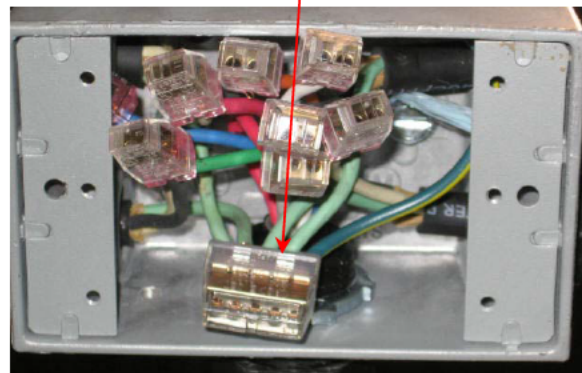
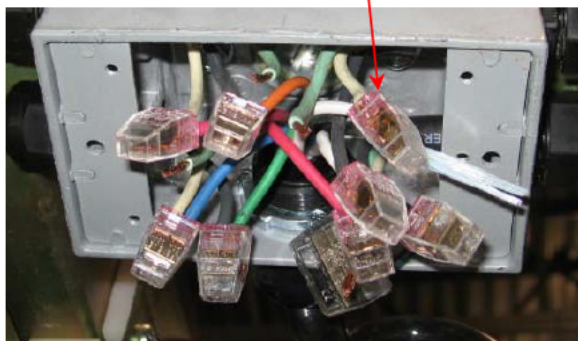
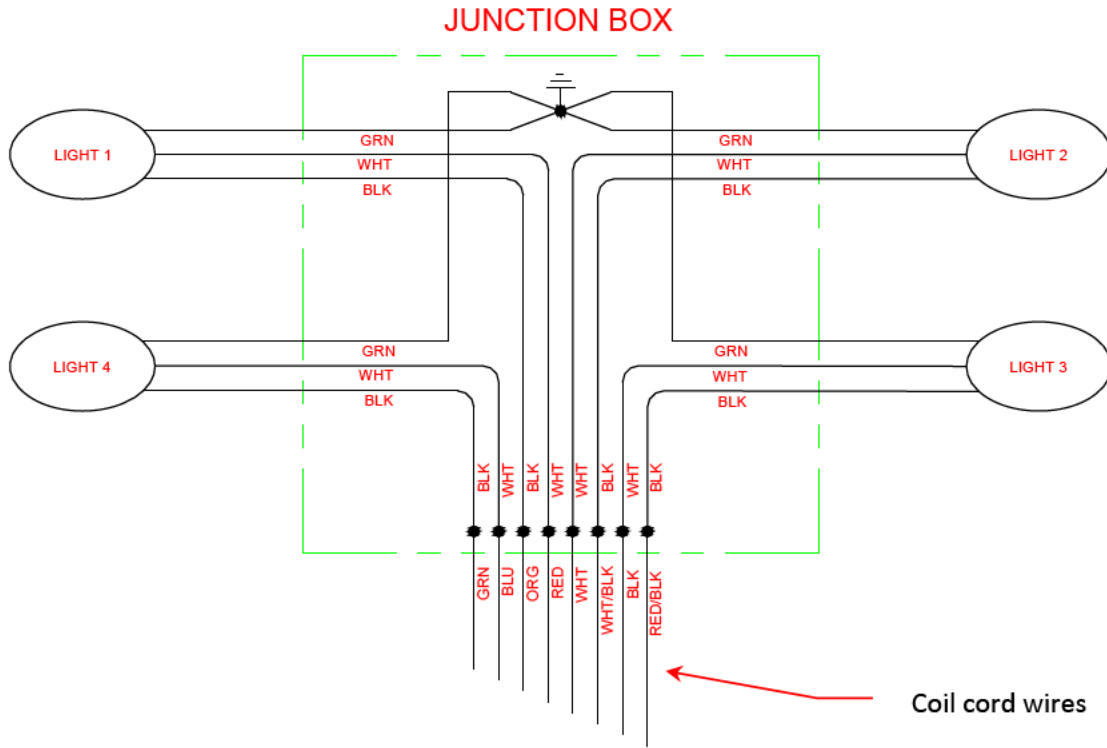


Figure 22

Light Connections



GeneratorJoe

GeneratorJoe

4723 Muirfield Court
Santa Rosa, CA 95405

Phone: 707-539-9003

Fax: 707 539-5212

Email: sales@generatorjoe.NET

Web: www.generatorjoe.net